



10920 MADISON AVENUE • CLEVELAND, OHIO 44102  
 PHONE: (216) 281-1100 www.meriam.com  
 FAX: (216) 281-0228

**MODEL 10AA25**

## Clean-out U-Type Manometer

### DESCRIPTION

The Meriam 10AA25 manometer is a versatile, economical instrument for the measurement of pressures, vacuums or differential pressures.

The U-tube type manometer is a primary basic standard of pressure measurement. Pressure measurements are accomplished by balancing a vertical head of indicating fluid with the pressure to be measured. As there are no cams, gears or levers to operate in the manometer, the readings obtained are always accurate.

### CONSTRUCTION

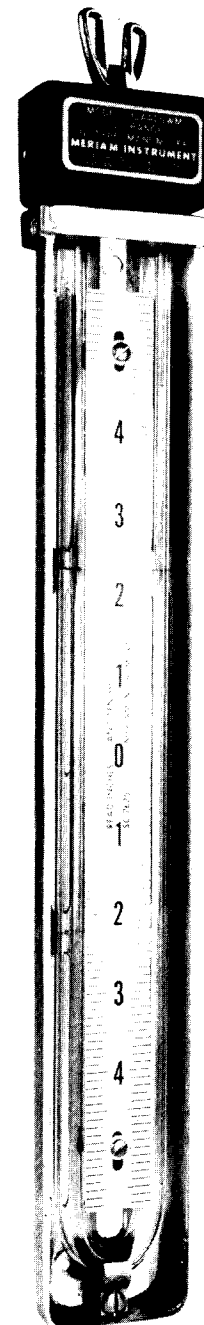
The manometer has a rigid cast aluminum body frame protecting the glass U-tube on three sides. Mounting holes are provided in the frame for mounting to a wall, column or other suitable structure.

The clean-out head at the top of the instrument seals the indicating tube legs and also provides for the external pressure connections to the manometer. The manometer head fastens to the body by a single nut and is quickly and easily removed when necessary. This exclusive Meriam clean-out head feature permits cleaning and filling of the U-tube without disconnecting the piping to the manometer head. A 1/4" female pipe connection is provided out the left and right sides of the clean-out head as standard. Pressure connections at rear or top of head can be furnished when specified. Manometer clean-out heads of cast iron, stainless steel or PVC are available for special corrosive applications.

The manometer scale is located between the tube legs and overlaps the tube legs to a degree that eases reading at the meniscus position.

The scale is readily adjustable for zero indicating fluid level.

The simple engineered method of supporting and sealing the U-tube in this manometer permits easy tube replacement in the field.



**MERIAM**  
**Model 10AA25WM**

**SPECIFICATIONS:**

Model: 10AA25  
 Type: U-tube  
 Range: 6, 10, 15, 20, 30, 50 inches  
 Pressure Rating: 250 PSIG  
 Mounting: wall  
 Indicating Tube & Packing: Glass, Neoprene  
 Body Construction: Aluminum

Wetted parts material: Cast Iron, 316 S.S., PVC  
 Scale Finish: Satin aluminum, black graduations  
 Finish: Aluminum body, black crackle enamel head

**Accessories:**

Return Well Model: 934H50  
 Bubbler Model: 931R or 931S  
 Line Trap Model: 932R or 932S

Valve & Piping Manifold: 943AC300 - Steel,  
 943AS300 - SS.

Pressure vacuum Variator Model: 971A3  
 Table Mounting Stand Model 912A  
 Slip On Cover Model: 915C

**Net weight**

Range inches	6	10	15	20	30	50
Weight lbs.	2	3	3	4	5	6

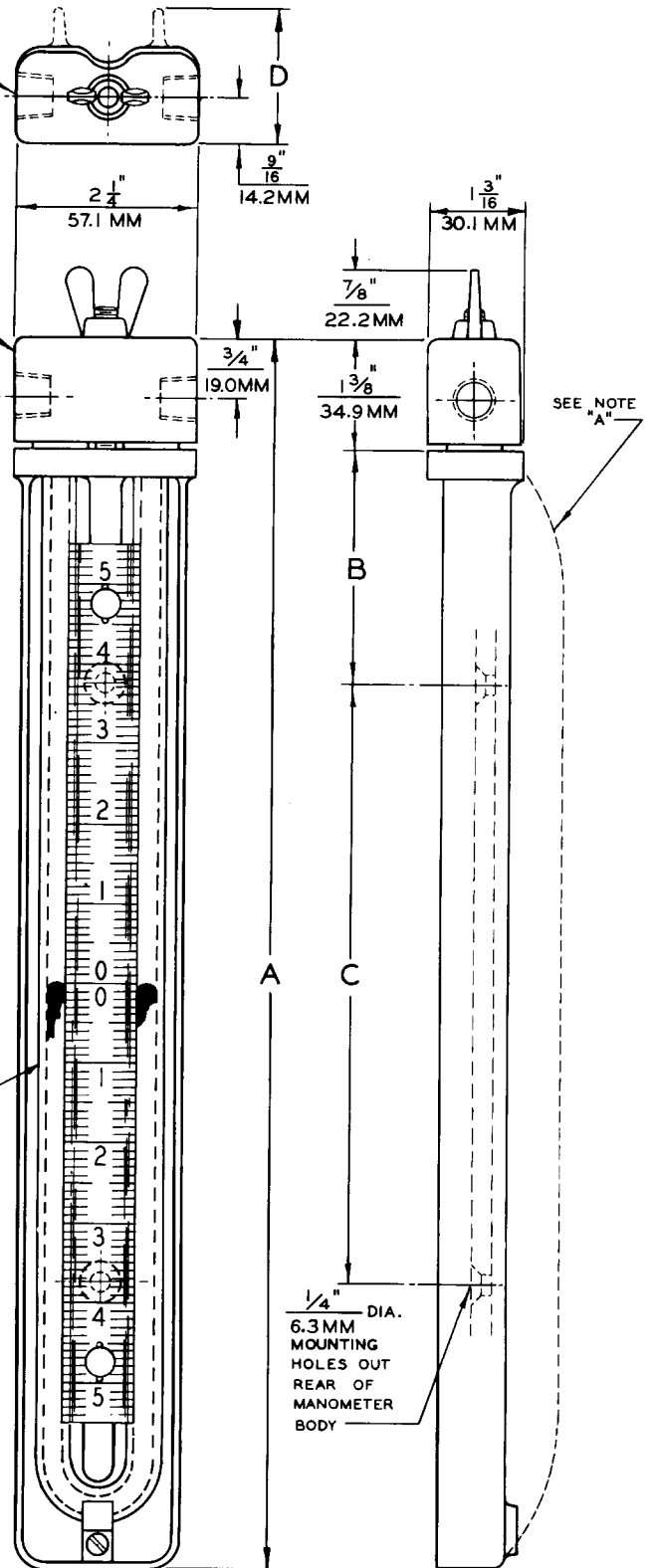
MANO. RANGE INCHES	A INCHES	B INCHES	C INCHES	D INCHES
6	10 3/4"	2 15/16"	2 7/8"	
10	15 3/8"	2 15/16"	7 1/2"	
15	19 1/8"	4 15/16"	7 1/4"	
20	24 3/8"	2 5/8"	17"	1 1/16"
30	35"	3 3/4"	21 3/8"	1 1/16"
50	55 7/16"	3 1/8"	43 3/8"	1 1/16"

MANO. RANGE MM	A MM	B MM	C MM	D MM
152.4	273.0	74.6	73.0	
254.0	390.5	74.6	190.5	
381.0	485.7	125.4	184.1	
508.0	619.1	66.6	431.8	42.8
762.0	889.0	95.2	542.9	42.8
1270.0	1408.1	79.3	1096.9	42.8

7/16" O.D. x .250" I.D. GLASS TUBE

REMOVABLE HEAD

1/4" N.P.T. CONNECTION



FINISH:  
 REMOVABLE HEAD - BAKED BLACK CRACKLE  
 MANOMETER BODY - ALUMINUM LACQUER



**Meriam Instrument**

a Scott Fetzer company

10920 MADISON AVENUE • CLEVELAND, OHIO 44102  
 PHONE: (216) 281-1100 www.meriam.com  
 FAX: (216) 281-0228