

REED



Model SD-1128

Light/Temperature
Datalogger

Instruction Manual



[www reedinstruments com](http://www.reedinstruments.com)

Table of Contents

Features.....	3
Specifications.....	3-5
Instrument Description.....	6
Operating Instructions.....	7-11
<i>Function selection</i>	7
<i>Light Measurement</i>	7
<i>Changing the Light Meter unit</i>	7
<i>Zero Adjustment</i>	7
<i>Type K/J Thermometer measurement</i>	7-8
<i>Data Hold</i>	8
<i>Data Record (Max., Min. reading)</i>	8
<i>Backlight ON/OFF</i>	8
<i>Datalogger</i>	9
<i>Auto Datalogger</i>	9
<i>Manual Datalogger</i>	9-10
<i>Checking the Time</i>	10
<i>Check Sampling Time Information</i>	10
<i>SD Card Data Structure</i>	10
<i>Data Transfer from SD card to Computer</i>	11
Advanced Settings.....	11-13
<i>Set Clock Time</i>	12
<i>Setting the Decimal point on the SD Card</i>	12
<i>Auto power OFF management</i>	12
<i>Set Beeper Sound ON/OFF</i>	12
<i>Select the Thermometer to Type K or Type J</i>	13
<i>Select the Temperature unit to °C or °F</i>	13
<i>Set sampling time</i>	13
<i>SD memory card Format</i>	13
PC Serial Interface.....	14
System Reset.....	15
Battery Replacement.....	15

Features

- Measures in LUX and Ft-cd
- Air temperature (°C, °F)
- Type K and Type J thermocouple thermometer
- Real time SD memory card datalogger with a built-in clock and calendar
- Sampling time set from 1 second to 3600 seconds
- Meter can switch to a Manual Datalogging
- No extra software needed, just plug the SD card into the computer and it downloads directly to EXCEL
- SD card capacity: 1 GB to 16 GB
- Easy to read LCD with backlight
- Auto power off or manual power off
- Data hold, record max. and min. reading
- High accuracy microcomputer circuit
- Power by UM3/AA (1.5 V) x 6 batteries
- USB/RS232 Computer interface
- Separated probe for easy measurements of multiple environments
- Automatic temperature compensation for the anemometer and type K/J thermometer

Specifications

Circuit:	Custom microprocessor LSI circuit
Display:	52mm x 38mm LCD with backlight
Light units:	LUX or Ft-cd
Temperature units:	(°C, °F)
Light Sensor:	Photo diode & colour correction filter designed to meet CIE standards

continued...

Auto Sampling Time:	1, 2, 5, 10, 30, 60, 120, 300, 600, 1800, 3600 seconds
Memory Card:	SD memory card, 1 GB to 16 GB
Sampling Time:	Approx. 1 second
Data Output:	USB/RS232 PC computer interface
Temperature Range:	0-50°C (0-122°F)
Resolution:	0.1°C/0.1°F
Accuracy:	± 0.8°C/1.5°F
Operating Temperature:	0-50°C (0-122°F)
Operating Humidity:	Less than 85% R.H.
Power Supply:	UM3/AA (1.5 V) x 6 batteries
Weight:	489g/1.08lb
Dimensions:	117 x 68 x 45mm (7 x 2.7 x 1.9")
Includes:	Light Sensor
Optional accessories:	4G SD Card (SD-4GB) Type K thermocouple probe (TP-01) USB cable (USB-01) Power adapter (AP-9VA-110V) Data Acquisition Software (SW-U801-WIN) Tripod (BS-6)

Visit us at www.reedinstruments.com for more information on our optional accessories, or e-mail us at info@reedinstruments.com

continued...

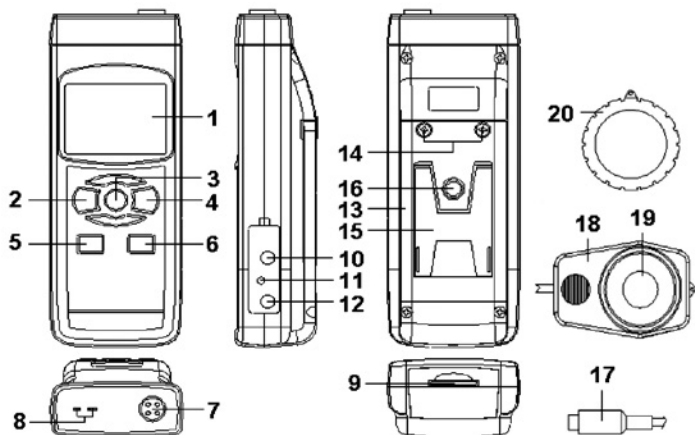
Light Meter

Unit	Range	Max. In-Range Display	Resolution	Accuracy
LUX	2,000 LUX	0 - 1,999 LUX	1 LUX	±(4% + 2dgt)
	20,000 LUX	1,800 - 19,990 LUX	10 LUX	
	100,000 LUX	18,000 - 99,900 LUX	100 LUX	
Ft-cd	200 Ft-cd	0 - 186.0 Ft-cd	0.1 Ft-cd	±(4% + 2Ft-cd)
	2,000 Ft-cd	167.0 - 1,860.0 Ft-cd	1 Ft-cd	
	10,000 Ft-cd	1,670.0 - 9,290.7 Ft-cd	10 Ft-cd	±(4% + 20Ft-cd)

Type K/J thermometer

Sensor Type	Resolution	Range	Accuracy
Type K	0.1°C	-50.0 to 1300.0°C	± (0.4% + 0.5°C)
		-50.1 to -100.0°C	± (0.4% + 1°C)
	0.1°F	-58.0 to 2372.0°F	± (0.4% + 1°F)
		-58.1 to -148.0°F	± (0.4% + 1.8°F)
Type J	0.1°C	-50.0 to 1200.0°C	± (0.4% + 0.5°C)
		-50.1 to -100.0°C	± (0.4% + 1°C)
	0.1°F	-58.0 to 2192.0°F	± (0.4% + 1°F)
		-58.1 to -148.0°F	± (0.4% + 1.8°F)

Above specification tests under the environment RF Field Strength less than 3 V/M & frequency less than 30 MHz only



- | | |
|--|---|
| 1. Display | 12. AC/DC 9V Power Adapter Input Socket |
| 2. Power, ESC, & Backlight Button | 13. Battery Compartment/Cover |
| 3. Hold, Function, & Next Button | 14. Battery Cover Screws |
| 4. REC, Enter Button | 15. Stand |
| 5. SET, Down, & Time Check Button | 16. Tripod Fix Nut |
| 6. Logger, Up, Sampling Time Check & Zero Button | 17. Probe Plug |
| 7. Probe input socket | 18. Probe Handle |
| 8. Type K/J thermometer socket | 19. Light Sensor |
| 9. SD card slot | 20. Light Sensor Cover |
| 10. USB/RS232 Output | |
| 11. Reset Button | |

Operating Instructions

Function selection

- 1) Turn on the meter by pressing the Power Button. To turn the meter off, hold the Power Button for over 2 seconds.
- 2) The meter has 2 measuring functions to choose from: Light Meter or Type K/J Thermometer. When the meter is on, press and hold the Function Button. The display will flash “LigHt”, for Light measurement, and “tP” for Type K/J Thermometer measurement. Release the Function Button to choose the displayed function.

Light Measurement

- 1) When the meter is off, plug the Probe into the Probe Input Socket, then power on the meter by pressing the Power Button.
- 2) Select the “ LigHt “ function (see Function Select).
- 3) Hold the Probe Handle and face the Probe Head against the measuring light source. The Display will show the light measurement value.

Changing the Light Meter unit

To change the Light Meter unit, press and hold the Unit Button, while in the Light Meter Function. The display will flash the units LUX and Ft-cd. Release the Unit Button to select the displayed unit. The selected unit will be saved as the default.

Zero Adjustment

While taking a Light Measurement, completely cover the light sensor. If the Display does not show value of zero, press and hold the Logger Button until the Display shows a zero value.

Type K/J Thermometer measurement

- 1) Select the “tP” function (see Function Select)

continued...

- 2) Plug the optional Type K or J Thermocouple Probe into the Type K/J Probe Input Socket.
- 3) The screen will display a “K”, meaning it is configured for a Type K thermometer probe. The measured temperature will now be displayed on the display screen. To change the meter to accept a Type J Probe, please see the Advanced Settings section.

Data Hold

While taking a measurement, press the Hold Button once and the measured value will hold on the screen, and a HOLD symbol will appear. Press the Hold Button once again will release the data hold function.

Data Record (Max., Min. reading)

The data record function records the maximum and minimum readings. Press the REC Button once to start the Data Record function and a “REC” symbol will appear on the display. With the “REC” symbol on the display:

- 1) Press the REC Button once, and a “REC. MAX.” symbol along with the maximum value will appear on the display. To delete the maximum value, press the Hold Button once and the display will show a “REC.” symbol only and execute the memory function continuously.
- 2) Press the REC Button again, and a “REC. MIN.” symbol along with the minimum value will appear on the display. To delete the minimum value, press the Hold Button once, and the display will show a “REC.” symbol only and execute the memory function continuously.
- 3) To exit the memory record function, press the REC button for 2 seconds. The display will revert to the current reading.

Backlight ON/OFF

After powering the meter ON, the LCD Backlight will turn on automatically. While taking measurements, press the Backlight Button and the LCD Backlight will turn off. Press the Backlight Button once again to turn the LCD Backlight back ON.

Datalogger

Preparation Before Executing the Datalogger Function:

- 1) Insert the optional SD card into the SD card socket.
- 2) Before you use an SD card with this meter for the first time, it is recommend to format the SD card. See Advanced Settings section of this manual for instructions.
- 3) If this is the first time the meter is used you need to adjust the clock. See Advanced Settings section of this manual for instructions.
- 4) Now you need to set the decimal format. The numerical data structure downloaded to the SD card is defaulted used the “.” as the decimal, for example “20.6” “1000.53”. But in certain countries the “,” is used as the decimal point, for example “20, 6” “1000,53”. See Advanced Settings section of this manual for instructions on how to change the Decimal Character.

Auto Datalogger (Set sampling time ≥ 1 second)

- 1) Start Datalogging; press the REC Button, and the “REC” symbol will appear on the LCD screen, then press the Logger Button, the “REC” symbol will flash while the measuring data and time information is being saved in memory. To set the sampling time, and to toggle the beeper sound on or off, refer to the Advanced Settings section of this manual.
- 2) Pause the Datalogging; while Datalogging, if press the Logger Button once. While paused, the “REC” symbol will stop flashing. Press the Logger Button again to resume Datalogging, and the “REC” symbol will begin to flash again.
- 3) Stop Datalogging; while the Datalogger function is paused, press the REC Button for 2 seconds. The “REC” symbol will disappear indicating the Datalogging function has stopped.

Manual Datalogger (Set sampling time = 0 seconds)

- 1) Set sampling time is to 0 second; Press the REC Button, and the “REC” symbol will appear on the LCD screen.

continued...

Press the Logger Button, and the “REC” symbol will flash once and one Beep will sound, at the same time the measuring data along the time information will be saved in memory. The lower Display will show the Position (record) number, which is saved as well.

- 2) To Change the Position Number; press the Down Button and the lower position number will flash on the display. Press the Up or Down Buttons to set the Position Number (1 to 99) to help identify the measurement location. The lower Display will show P x (x = 1 to 99). After the position number is selected, press the Enter Button to confirm.
- 3) Stop Datalogging; press the REC Button for 2 seconds, and the “REC” symbol will disappear indicating the Datalogging function has stopped.

Checking the Time

During normal functions (not Datalogging), press the Time Check Button and the lower LCD display will show the Year, Month/Date, Hour/Minute.

Check Sampling Time Information

During normal functions (not Datalogging), press the Sampling Button and the lower LCD display will show the Sampling Time Information.

SD Card Data Structure

- 1) The first time the SD card is used in the meter, the SD card will generate a folder: LXA01.
- 2) The first time you use the Datalogger, in the folder LXA01, a new file name LXA01001.XLS will be created. The Datalogger will use this file until the Data has reached to 30,000 rows. The meter will then will generate a new file with a subsequent number, for example LXA01002.XLS.
- 3) The folder LXA01 can hold 99.XLS files. When that number has been reached, the meter will then will generate a new folder with a subsequent number, for example LXA02. Max number of LXA-- folders is 10.

Data Transfer from SD card to Computer (EXCEL Software)

- 1) After Datalogging, remove the SD card from the SD card slot.
- 2) Plug in the SD card into the Computer's SD card slot or insert the SD card into the optional SD card adapter and connect to your Computer. Turn your computer on and a folder will appear on your desktop representing your SD card.
- 3) Open "Microsoft EXCEL". Download the EXCEL files from the SD Card to the computer by opening up the SD folder and selecting the desired EXCEL files, and drag-and-drop them onto your Computer. Open the files with EXCEL (File – Open).
- 4) The EXCEL file will have the following column headers in this order: Place (Position Number), Date (Year/Month/Day), Time (in 24h clock), Value, and Unit.

Advanced Settings

During normal functions (not Datalogging), press and hold the SET Button for 2 seconds to enter the "Advanced Setting" mode. Press the Next Button scroll through eight main functions, shown on the lower display:

dAtE Set clock time (Year/Month/Date, Hour/Minute/Second)

dEC Set SD card Decimal character

PoFF Auto power OFF management

bBEEP Set beeper sound ON/OFF

tYPE Select the Thermometer to Type K or Type J

t-CF Select the temperature unit to °C or °F

SP-t Set sampling time (Hour/Minute/Second)

Sd F SD memory card Format

While in the "Advanced Setting" function, press the Esc Button to exit and to return to normal functioning.

Set Clock Time

- 1) When the lower display shows “dAtE”, press the Enter Button. Use the Up and Down Buttons to adjust the Year. After the desired value is set, press the Enter Button to adjust the Month, Date, Hour, Minute, and Second values.
- 2) After all the time values have been set the screen will jump to “SD card Decimal character” setting screen. To exit “Advanced Settings”, press the Esc Button.

Note: After the time value is set, the internal clock will run even when the power is off, if the battery is under normal conditions.

Setting the Decimal point on the SD Card

- 1) When the lower display shows “dEC”, use the Up or Down Buttons to toggle between “bASIC” (“.” Decimal Point) or “Euro” (“,” Decimal Point).
- 2) After the Decimal point character has been selected, press the Enter Button to save the setting as the default. To exit “Advanced Settings”, press the Esc Button.

Auto power OFF management

- 1) When the lower display shows “PoFF”, use the Up or Down Buttons to select the value “yES” (Enable Auto Power Off) or “no” (Disable Auto Power Off).
- 2) After selecting “yES” or “no”, press the Enter Button to save the setting as the default. To exit “Advanced Settings”, press the Esc Button.

Set Beeper Sound ON/OFF

- 1) When the lower display shows “bBEEP”, use the Up or Down Buttons to select “yES” (Beeper Sound is ON) or “no” (Beeper Sound is OFF).
- 2) After selecting “yES” or “no”, press the Enter Button to save the setting as the default. To exit “Advanced Settings”, press the Esc Button.

Select the Thermometer to Type K or Type J

- 1) When the lower display shows “tYPE”, use the Up or Down Buttons to select “K” (for Type K Thermometer) or “J” (for Type J Thermometer).
- 2) After selecting “K” or “J”, press the Enter Button to save the setting as the default. To exit “Advanced Settings”, press the Esc Button.

Select the Temperature unit to °C or °F

- 1) When the lower display shows “t-CF”, use the Up or Down Buttons to select “C” (for °C) or “F” (for °F).
- 2) After selecting “C” or “F”, press the Enter Button to save the setting as the default. To exit “Advanced Settings”, press the Esc Button.

Set sampling time

- 1) When the lower display shows “SP-t”, use the Up or Down Buttons to adjust the value to either 0, 1, 2, 5, 10, 30,60, 120, 300, 600, 1800, or 3600 seconds.
- 2) After the Sampling value is selected, press the press the Enter Button to save the setting as the default. To exit “Advanced Settings”, press the Esc Button.

SD memory card Format

Please Note: Formatting the SD card erases all data from that SD card.

- 1) When the lower display shows “Sd F”, use the Up or Down Buttons to select “yES” (format the SD card) or “no” (do not format the SD card).
- 2) To format your SD card, select “yES” and press the Enter Button. The Display will show “yES Enter”, to confirm. Press the Enter Button to confirm.

PC Serial Interface

The instrument features an PC output via 3.5 mm terminal. The connector output is a 16 digit data stream which can be utilized to the user's specific application. An USB RS232 lead with the following connection will be required to link the instrument with the PC serial input.

Meter (3.5mm Jack Plug)	PC (9W "D" Connector)
Center Pin	Pin 2
Ground/Shield	Pin 5


The 16 digit data stream will be displayed in the following format:
D15 D14 D13 D12 D11 D10 D9 D8 D7 D6 D5 D4 D3 D2 D1 D0

D0	End Word
D1 to D4	Upper Display reading, D1= LSD, D4= MSB
D5 to D8	D5=? D6=? D7=? D8=?
D9	Decimal Point (DP) for display 0 = No DP, 1 = 1 DP, 2 = 2 DP, 3 = 3 DP
D10	D10 = 0
D11	D11 = 0
D12	D12 = 0
D13	D13 = 0
D14	D14 = 0
D15	Start Word

System Reset

If an error occurs, press the Reset Button with a Pin. If the Reset Button does not fix the error, please send in the unit to our Calibration Lab for repair. E-mail info@reedinstruments.com for more information.

Battery Replacement

- 1) When the left corner of LCD display shows , it is necessary to replace the battery
- 2) Loosen the screws of the Battery Cover and remove
- 3) Remove the batteries and replace with Six DC 1.5 V batteries (UM3, AA, Alkaline/heavy duty)
- 4) Make sure the battery cover is properly secured after changing the battery

For service on this or any other REED product or information on other REED products, contact REED Instruments at info@reedinstruments.com

Notes

Notes _____



www **reedinstruments** com

Notes _____



REED



Modèle SD-1128

Luxmètre/Température
enregistreur
de donnée

Manuel d'utilisation



www.reedinstruments.com

Table des Matières

Caractéristiques	3
Spécifications	3-5
Description de l'instrument	6
Instructions d'utilisation	7-12
<i>Sélection de fonctions</i>	7
<i>Mesure du luxmètre</i>	7
<i>Changement de l'unité de mesure de la vitesse de l'air</i>	7
<i>Ajustement du zéro</i>	8
<i>Mesure du thermomètre à thermocouple de type K/J</i>	8
<i>Fonction maintien des données</i>	8
<i>Enregistrement des données (lecture max. et min.)</i>	8-9
<i>Rétroéclairage MARCHE/ARRÊT</i>	9
<i>Enregistreur de données</i>	9
<i>Enregistreur de données automatique</i>	10
<i>Enregistreur de données manuel</i>	10-11
<i>Vérification du calendrier et de l'heure</i>	11
<i>Information sur le temps d'échantillonnage</i>	11
<i>Structure de la carte mémoire SD de données</i>	11-12
<i>Transfert de données de la carte mémoire SD à l'ordinateur</i>	12
Paramètres avancés.....	13-15
<i>SRéglage du calendrier et de l'heure</i>	13
<i>Réglage du caractère décimal sur la carte SD</i>	14
<i>Gestion de l'arrêt automatique</i>	14
<i>Réglage du signal sonore (bip) Activé/Désactivé</i>	14
<i>Sélection du thermomètre à thermocouple de type K ou type J ...</i>	14
<i>Sélection de l'unité de mesure de la température de °C ou °F</i>	15
<i>Réglage du temps d'échantillonnage</i>	15
<i>Format de la carte mémoire SD</i>	15
Interface sériel PC	16
Réinitialisation du système.....	17
Remplacement des piles.....	17

Caractéristiques

- Mesures en LUX et Ft-cd
- Température de l'air: (° C, °F)
- Thermomètre à thermocouple de types K et J
- Enregistreur de données avec carte mémoire SD avec horloge et calendrier intégrés en temps réel
- Réglage du temps d'échantillonnage de 1 seconde à 3600 secondes
- Le compteur peut être commuté à un enregistreur de données manuel
- Aucun logiciel supplémentaire requis, simplement brancher la carte SD dans l'ordinateur et elle se télécharge directement à EXCEL
- Capacité de la carte mémoire SD: 1 Go à 16 Go
- ACL facile à lire avec rétroéclairage
- Fonction arrêt automatique ou arrêt manuel
- Fonctions maintien des données, lectures maximales et minimales mémorisées
- Microcircuit intégré de haute précision
- Alimentation électrique par 6 piles UM3/AA (1.5V)
- Câble Interface ordinateur USB/RS232
- Sonde séparée pour des mesures faciles à plusieurs environnements
- Compensation de température automatique pour l'anémomètre et le thermomètre à thermocouple de types K et J

Spécifications

Circuit:	Circuit microprocesseur LSI sur mesure
Afficheur:	ACL 52 mm x 38 mm avec rétroéclairage
Les unités de la lumière:	LUX ou Ft-cd
Unités de température:	(°C, °F)

suite...

Capteur de lumière:	Diode photo et correction des filtres colorés conçus pour répondre aux normes CIE
Temps d'échantillonnage automatique:	1, 2, 5, 10, 30, 60, 120, 300, 600, 1800, 3600 secondes
Carte mémoire:	Carte mémoire SD de 1 Go à 16 Go
Temps d'échantillonnage de l'afficheur:	Environ 1 seconde
Sortie de données:	Interface ordinateur USB/RS232
Gamme de température:	0 à 50°C (0 à 122°F)
Résolution:	0.1°C/0.1°F
Précision:	±0.8°C/1.5°F
Temp de fonctionnement:	0 à 50°C (0 à 122°F)
Humidité de fonctionnement:	Moins de 85% H.R.
Alimentation électrique:	6 piles UM3/AA (1.5 V)
Poids:	515 g /1.13 lb
Dimensions:	117 x 68 x 45mm (7 x 2.7 x 1.9")
Comprend:	Decteur de lumière et une mallette
Accessoires optionnels:	Carte mémoire SD 4Go (SD-4GB) Sonde thermocouple de type K (TP-01) Câble USB (USB-01) Adaptateur c.a. (AP-9VA-110V) Logiciel d'acquisition des données (SW-U801-WIN) Trépied (BS-6)

suite...

Luxmètre

Unité	Gamme	Max. dans l'échelle d'affichage	Résolution	Précision
LUX	2,000 LUX	0 - 1,999 LUX	1 LUX	±(4% + 2chif)
	20,000 LUX	1,800 - 19,990 LUX	10 LUX	
	100,000 LUX	18,000 - 99,900 LUX	100 LUX	
Ft-cd	200 Ft-cd	0 - 186.0 Ft-cd	0.1 Ft-cd	±(4% + 2Ft-cd)
	2,000 Ft-cd	167.0 - 1,860.0 Ft-cd	1 Ft-cd	
	10,000 Ft-cd	1,670.0 - 9,290.7 Ft-cd	10 Ft-cd	±(4% + 20Ft-cd)

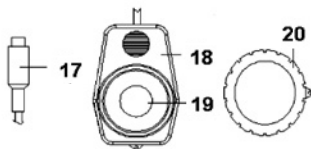
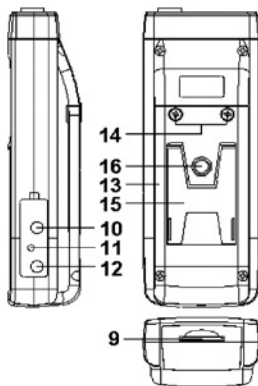
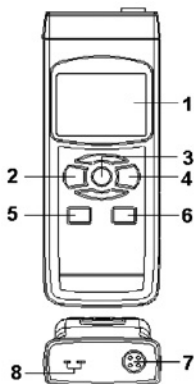
Thermomètre à thermocouple de types K et J

Type dev capteur	Résolution	Gamme	Précision
Type K	0.1°C	à	± (0.4% + 0.5°C)
		-50.1 à -100.0°C	± (0.4% + 1°C)
	0.1°F	-58.0 à 2372.0°F	± (0.4% + 1°F)
		-58.1 à -148.0°F	± (0.4% + 1.8°F)
Type J	0.1°C	-50.0 à 1200.0°C	± (0.4% + 0.5°C)
		-50.1 à -100.0°C	± (0.4% + 1°C)
	0.1°F	-58.0 à 2192.0°F	± (0.4% + 1°F)
		-58.1 à -148.0°F	± (0.4% + 1.8°F)

Les spécifications ci-dessus ont été mises à l'essai sous une force de champ de radiofréquence environnemental de moins de 3 V/M et de fréquence de moins de 30 MHz seulement

Description de l'instrument

1. Afficheur
2. Touche d'alimentation (POWER), d'échappement (ESC) et rétroéclairage
3. Touche Maintien (HOLD), de fonctionnement (FUNC.) et suivant (NEXT)
4. Touche d'enregistrement (REC) et retour (ENTER)
5. Touche de réglage (SET), de déplacement vers le bas (▼) et vérification de l'heure (TIME CHECK)
6. Touche enregistreur de données (LOGGER), de déplacement vers le haut (▲), de vérification du temps d'échantillonnage (SAMPLING CHECK), et zéro
7. Prise d'entrée du capteur
8. Prise du thermomètre de type K/J
9. Fente pour la carte mémoire SD
10. Sortie USB/RS232
11. Touche de réinitialisation
12. Prise d'entrée pour l'adaptateur d'alimentation électrique c.a. de 9V
13. Compartiment des piles / Couvercle
14. Vis pour le couvercle du compartiment des piles
15. Support
16. Écrou de fixation pour le trépied
17. Fiche pour la sonde
18. Poignée du capteur
19. Détecteur de lumière
20. Écran protecteur du détecteur



Instructions d'utilisation

Sélection de fonctions

- 1) Mettez sous tension le compteur en appuyant sur la touche d'alimentation (POWER). Pour fermer le compteur, tenez la touche d'alimentation (POWER) pendant plus de 2 secondes.
- 2) Le compteur est doté de 2 fonctions de mesure pour choisir à partir de: lumière ou thermomètre à thermocouple de type K/J. Lorsque le compteur est sous tension, appuyez sur la touche Fonction (FUNC.) et tenez-la enfoncée. "LIgHT", clignotera sur l'afficheur pour lumière et "tP" pour la mesure du thermomètre à thermocouple de type K/J. Relâchez la touche Fonction (FUNC.) pour sélectionner la fonction affichée.

Mesure du luxmètre

- 1) Lorsque le compteur est fermé, branchez la fiche de la sonde dans la prise d'entrée du capteur, puis mettez sous tension le compteur en appuyant sur la touche d'alimentation (POWER).
- 2) Sélectionnez la fonction "LIgHT" (référez-vous à la Sélection de fonctions)
- 3) Tenez la poignée du capteur en vous assurant que le capteur de lumière soit à l'opposé de la source de lumière à mesurer. L'écran affichera la mesure de l'éclairement lumineux.

Changement de l'unité de mesure du Luxmètre

Pour changer l'unité de mesure du Luxmètre, appuyez sur la touche Unité (UNIT) et tenez-la enfoncée pendant que vous êtes dans la fonction de Luxmètre. Les unités de mesure clignoteront à l'écran LUX et Ft-cd. Relâchez la touche Unité (UNIT) pour sélectionner l'unité affichée. L'unité affichée sera sauvegardée par défaut.

Ajustement du zéro

Pendant que vous prenez une mesure de l'éclairage lumineux, couvrez complètement le capteur de lumière. Si l'écran n'affiche pas la valeur zéro, appuyez sur la touche Enregistreur (LOGGER) et tenez-la enfoncée jusqu'à ce que l'écran affiche une valeur de zéro.

Mesure du thermomètre à thermocouple de type K/J

- 1) Sélectionnez la fonction "tP" (voir Sélection de fonctions).
- 2) Branchez la sonde thermocouple de type K ou J (optionnel) dans la prise d'entrée pour le thermocouple de type K ou J.
- 3) "K" sera affiché à l'écran, signifiant que le compteur est configuré pour un thermomètre à thermocouple de type K. La température mesurée sera maintenant affichée à l'écran. Pour changer le compteur afin d'accepter un thermocouple de type J, veuillez vous référer à la section Paramètres avancés.

Fonction maintien des données

Pendant la prise de mesure, appuyez une fois sur la touche Maintien (HOLD) la valeur mesurée se maintiendra à l'écran et le symbole "HOLD" s'affichera. Appuyez de nouveau sur la touche Maintien (HOLD) pour libérer la fonction Maintien des données.

Enregistrement des données (lecture max. et min.)

La fonction enregistrement des données mémorise les lectures maximale et minimale. Appuyez une fois sur la touche (REC) pour enclencher la fonction enregistrement des données; le symbole "REC" s'affichera à l'écran. Pendant que le symbole "REC" est affiché à l'écran:

- 1) Appuyez une fois sur la touche (REC) et le symbole "REC.MAX" de même que la mesure maximale s'afficheront à l'écran. Pour effacer la mesure maximale, appuyez une fois sur la touche Maintien (HOLD) et seulement le symbole "REC" s'affichera à l'écran et exécutera la fonction mémoire en continu.
- 2) Appuyez de nouveau sur la touche (REC) et le symbole "REC.MAX" de même que la mesure minimale s'afficheront à l'écran.

suite...

Pour effacer la mesure minimale, appuyez une fois sur la touche Maintien (HOLD) et seulement le symbole “REC” s’affichera à l’écran et exécutera la fonction mémoire en continu.

- 3) Pour sortir de la fonction mémoire, appuyez sur la touche (REC) pendant 2 secondes. L’afficheur retournera à la lecture en cours.

Rétroéclairage MARCHE/ARRÊT

Après avoir mis sous tension le compteur, le rétroéclairage ACL s’allumera automatiquement. Pendant que vous prenez les mesures, appuyez sur la touche Rétroéclairage pour fermer le rétroéclairage. En appuyant de nouveau sur la touche Rétroéclairage vous réactiverez le rétroéclairage.

Enregistreur de données

Préparation nécessaire avec d’exécuter la fonction Enregistreur de données:

- 1) Insérez la carte mémoire SD (optionnelle) dans la fente pour carte SD.
- 2) Avant d’utiliser une carte mémoire SD avec ce compteur pour la première fois, il est recommandé de formater la carte mémoire SD. Veuillez vous référer à la section Paramètres avancés de ce mode d’emploi pour les instructions.
- 3) Si vous utilisez ce compteur pour la première fois, vous devez régler l’horloge. Veuillez vous référer à la section Paramètres avancés de ce mode d’emploi pour les instructions.
- 4) Maintenant, vous devez régler le format décimal. La structure des données numériques téléchargées à la carte mémoire SD est par défaut “.” en tant que point décimal. Par exemple, “20.6” “1000.53”. Cependant, dans certains pays, le “,” est utilisé comme le point décimal, par exemple “20,6” “1000,53”. Veuillez vous référer à la section Paramètres avancés de ce mode d’emploi pour recevoir les instructions afin de changer le point décimal.

Enregistreur de données automatique (temps d'échantillonnage réglé ≥ 1 seconde)

- 1) Enregistrement chronologique de données activé: appuyez sur la touche (REC) et le symbole "REC" s'affichera à l'écran, puis appuyez sur la touche Enregistreur (LOGGER); le symbole "REC" clignotera pendant que les données mesurées et l'heure seront sauvegardées dans la mémoire. Pour régler le temps d'échantillonnage et basculer l'alarme sonore en position Marche ou Arrêt, veuillez vous référer à la section Paramètres avancés de ce mode d'emploi pour les instructions.
- 2) Enregistrement chronologique de données en mode attente: pendant que vous exécutez la fonction Enregistrement de données, si vous appuyez une fois sur la touche Enregistreur (LOGGER) la fonction enregistrement se mettra en mode attente et au même moment, le symbole "REC" cessera de clignoter. Appuyez de nouveau sur la touche Enregistreur (LOGGER) pour reprendre l'enregistrement de données et le symbole "REC" se mettra à clignoter de nouveau.
- 3) Enregistrement chronologique de données stoppé: lorsque la fonction enregistreur de données est en mode attente, appuyez sur la touche (REC) pendant 2 secondes. Le symbole "REC" disparaîtra, ce qui signifie que la fonction enregistrement des données a été stoppée.

Enregistreur de données manuel (temps d'échantillonnage réglé = 0 seconde)

- 1) Le temps d'échantillonnage réglé est de 0 seconde; appuyez sur la touche (REC) et le symbole "REC" s'affichera à l'écran ACL. Appuyez sur la touche Enregistreur (LOGGER) et le symbole "REC" clignotera une fois et un bip sonnera; au même moment, les données mesurées ainsi que l'heure seront sauvegardées en mémoire. La partie inférieure de l'écran affichera le numéro d'enregistrement qui sera aussi sauvegardé.

suite...

- 2) Pour changer le numéro d'enregistrement: appuyez sur la touche de déplacement vers le bas (▼) et le numéro d'enregistrement s'affichera à la partie inférieure de l'écran. Appuyez sur les touches de déplacement vers le haut ou vers le bas (▲ ou ▼) pour régler le numéro d'enregistrement (1 à 99) pour aider à identifier l'emplacement de mesure. La partie inférieure de l'écran P x (x=1 à 99). Après que le numéro d'enregistrement a été sélectionné, appuyez sur la touche Retour (ENTER) pour confirmer.
- 3) Pour arrêter l'enregistrement chronologique de données: appuyez sur la touche (REC) pendant 2 secondes et le symbole "REC" disparaîtra indiquant que la fonction enregistrement chronologique de données est stoppée.

Vérification du calendrier et de l'heure

Pendant les fonctions normales (pas l'enregistrement chronologique de données), appuyez sur la touche Vérification du temps (TIME CHECK) et la partie inférieure de l'écran ACL affichera l'année, le mois/date, heure/minutes.

Information sur le temps d'échantillonnage

Pendant les fonctions normales (pas l'enregistrement chronologique de données), appuyez sur la touche Échantillonnage (Sampling Check) et la partie inférieure de l'écran affichera l'information sur le temps d'échantillonnage.

Structure de la carte mémoire SD de données

- 1) Quand la carte mémoire SD est utilisée dans le compteur pour la première fois, la carte SD générera un dossier LXA01.
- 2) La première fois que vous utilisez l'enregistreur de données, dans le dossier LXA01, un nouveau fichier nommé LXA01001.XLS sera créé. L'enregistreur de données utilisera ce fichier aussi longtemps que les données seront parvenues à 30,000 rangées. Le compteur générera un nouveau fichier avec un chiffre ultérieur, par exemple LXA01002.XLS.

suite...

- 3) Le dossier LXA01 peut contenir 99.XLS fichiers. Lorsque ce nombre a été atteint, le compteur générera alors un nouveau dossier avec un chiffre ultérieur, par exemple LXA02. Le nombre maximal de numéros ultérieurs de fichiers LXA est de 10.

Transfert de données de la carte mémoire SD à l'ordinateur (logiciel EXCEL)

- 1) Après l'enregistrement chronologique de données, retirez la carte mémoire SD de la fente pour carte mémoire SD.
- 2) Insérez la carte SD dans la fente de l'ordinateur pour carte SD ou insérez la carte SD dans l'adaptateur (en option) pour carte SD et faites de branchement à votre ordinateur. Allumez votre ordinateur et un dossier apparaîtra sur votre bureau représentant votre carte SD.
- 3) Ouvrez le logiciel "Microsoft Excel". Téléchargez les fichiers Excel de votre carte mémoire SD à votre ordinateur en ouvrant le fichier SD et en sélectionnant les fichiers Excel désirés, puis glissez-déplacez-les dans votre ordinateur. Ouvrez les fichiers avec EXCEL (Fichier- Ouvrir).
- 4) Le fichier EXCEL affichera les titres suivants en-tête de colonne dans cette séquence: Endroit (Numéro d'enregistrement), Date (Année/Mois/Jour), Heure (Format 24 heures), Valeur, et Unité.

Paramètres avancés

Pendant l'exécution des fonctions normales (sauf l'enregistreur de données), appuyez sur la touche Réglage (SET) et tenez-la enfoncée pendant 2 secondes pour entrer dans le mode des Paramètres avancés". Appuyez sur la touche (NEXT) pour défiler à travers les 8 fonctions principales affichées dans la partie inférieure de l'écran:

dAtE	Réglage du calendrier et de l'heure
dEC	Réglage du caractère décimal sur la carte SD
PoFF	Gestion de l'arrêt automatique
bEEP	Réglage du signal sonore (bip) Activé/Désactivé
tYPE	Sélection du thermomètre à thermocouple de type K ou type J
t-CF	Sélection de l'unité de mesure de la température
SP-t	Réglage du temps d'échantillonnage
Sd F	Format de la carte mémoire SD

Lorsque vous êtes dans la fonction Paramètres avancés", appuyez sur la touche (ESC) pour sortir et retourner au fonctionnement normal.

Réglage du calendrier et de l'heure

- 1) Lorsque la partie inférieure de l'écran affiche "dAtE", appuyez sur la touche Retour (ENTER). Utilisez les touches (▲ ou ▼) pour ajuster l'année. Dès que la valeur désirée est réglée, appuyez sur la touche Retour (ENTER) pour ajuster le mois, la date, l'heure, les minutes et les secondes.
- 2) Lorsque toutes les valeurs du calendrier et de l'heure ont été réglées, l'écran passera au réglage du "caractère décimal sur la carte SD". Pour sortir du mode "Paramètres avancés", appuyez sur la touche (ESC).

Note: Lorsque la valeur de l'heure est réglée, l'horloge interne fonctionnera même si l'alimentation électrique est fermée, si les piles sont sous des conditions normales.

Réglage du caractère décimal sur la carte SD

- 1) Lorsque la partie inférieure de l'écran affiche "dEC", utilisez les touches (▲ ou ▼) pour alterner entre "bASIC" ("." Point décimal) ou "Euro" ("," Point décimal).
- 2) Quand le point décimal a été choisi, appuyez sur le bouton Retour (ENTER) pour sauvegarder le réglage par défaut. Pour sortir du mode "Paramètres avancés", appuyez sur la touche (ESC).

Gestion de l'arrêt automatique

- 1) Lorsque la partie inférieure de l'écran affiche "PoFF", utilisez les touches (▲ ou ▼) (pour sélectionner "yES" (Activation de la fonction Arrêt automatique) ou "no" (Désactivation de la fonction Arrêt automatique).
- 2) Après la sélection de "yES" ou "no", appuyez sur la touche Retour (ENTER) pour sauvegarder le réglage par défaut. Pour sortir du mode "Paramètres avancés", appuyez sur la touche (ESC).

Réglage du signal sonore (bip) Activé/Désactivé

- 1) Lorsque la partie inférieure de l'écran affiche "bEEP", utilisez les touches (▲ ou ▼) pour sélectionner "yES" (Activation du signal sonore) ou "no" (Désactivation du signal sonore).
- 2) Après la sélection de "yES" ou "no", appuyez sur la touche Retour (ENTER) pour sauvegarder le réglage par défaut. Pour sortir du mode "Paramètres avancés", appuyez sur la touche (ESC).

Sélection du thermomètre à thermocouple de type K ou type J

- 1) Lorsque la partie inférieure de l'écran affiche "tYPE", utilisez les touches (▲ ou ▼) pour sélectionner "K" (Thermomètre à thermocouple de type K) ou "J" (Thermomètre à thermocouple de type J).
- 2) Après la sélection de "K" ou "J", appuyez sur la touche Retour (ENTER) pour sauvegarder le réglage par défaut. Pour sortir du mode "Paramètres avancés", appuyez sur la touche (ESC).

Sélection de l'unité de mesure de la température de °C ou °F

- 1) Lorsque la partie inférieure de l'écran affiche "t-CF", utilisez les touches (▲ ou ▼) pour sélectionner "C"(pour °C) ou "F" (pour °F).
- 2) Après la sélection de "C" ou "F", appuyez sur la touche Retour (ENTER) pour sauvegarder le réglage par défaut. Pour sortir du mode "Paramètres avancés", appuyez sur la touche (ESC).

Réglage du temps d'échantillonnage

- 1) Lorsque la partie inférieure de l'écran affiche "SP-t", utilisez les touches (▲ ou ▼) pour ajuster la valeur soit à 0, 1, 2, 5, 10, 30, 60, 120, 300, 600, 1800 ou 3600 secondes.
- 2) Après avoir sélectionné la valeur d'échantillonnage, appuyez sur la touche Retour (ENTER) pour sauvegarder le réglage par défaut. Pour sortir du mode "Paramètres avancés", appuyez sur la touche (ESC).

Format de la carte mémoire SD

Veillez noter: Formater la carte mémoire SD efface toutes les données de cette carte mémoire SD.

- 1) Lorsque la partie inférieure de l'écran affiche "Sd-F", utilisez les touches (▲ ou ▼) pour sélectionner "yES" (Formater la carte SD) ou "no" (Ne pas formater la carte mémoire SD).
- 2) Pour formater la carte mémoire SD, sélectionnez "yES" et appuyez sur la touche Retour (ENTER). L'écran affichera "yES Enter" pour confirmer. Appuyez sur la touche Retour (ENTER) pour confirmer.

Interface sériel PC

L'instrument est doté d'une sortie PC via un terminal de 3.5 mm. La sortie des données est un flux de données de 16 chiffres, lequel peut être utilisé pour une application spécifique effectuée par l'utilisateur. Un interlignage RS232 avec la connexion suivante est requis pour lier l'instrument avec l'entrée série du PC.

Meter (fiche jack 3.5mm)	PC (9W "D" Connecteur)
Connecteur Centre	Connecteur 2
Terre/Ecran	Connecteur 5

Le flux de données à 16 chiffres s'affichera selon le format suivant:
D15 D14 D13 D12 D11 D10 D9 D8 D7 D6 D5 D4 D3 D2 D1 D0

D0	Fin Word
D1 to D4	Résultat affichage supérieur, D1= LSD, D4= MSB
D5 to D8	D5=? D6=? D7=? D8=?
D9	Point décimal (DP) pour affichage 0 = No DP, 1 = 1 DP, 2 = 2 DP, 3 = 3 DP
D10	D10 = 0
D11	D11 = 0
D12	D12 = 0
D13	D13 = 0
D14	D14 = 0
D15	Démarrer Word

Réinitialisation du système

Si une erreur se produit, appuyez sur le bouton de Réinitialisation (RESET) avec une épingle. Si le bouton de Réinitialisation (RESET) ne règle pas l'erreur, veuillez envoyer l'appareil à notre laboratoire d'étalonnage pour réparation. Pour plus de renseignements, notre adresse courriel est la suivante: info@reedinstruments.com

Remplacement des piles

- 1) Lorsque le côté gauche de l'écran ACL affiche "~~CL~~", il est nécessaire de remplacer les piles.
- 2) Dévissez les vis sur le couvercle du compartiment et retirez le couvercle.
- 3) Retirez les piles et remplacez-les avec six piles c.c. 1.5V (UM3, AA, alcalines/grande capacité).
- 4) Assurez-vous que le couvercle du compartiment des piles est bien fixé après avoir changé les piles.

Pour service ou information sur ce produit ou tout autre produit REED, communiquez avec REED Instruments à l'adresse info@reedinstruments.com

Notes

Notes