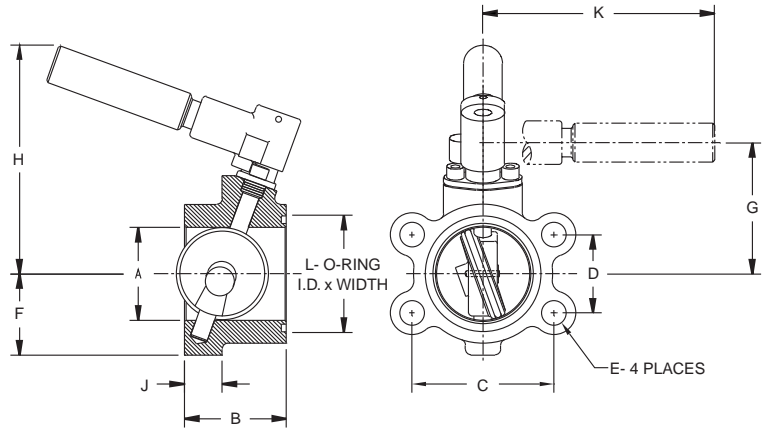




Series SAE Butterfly Valves

Specifications - Installation & Operating Instructions



Series SAE Butterfly Valves are designed to meet the demanding needs of the fluid control industry. Unique features include a Buna-N O-ring flange face seal complying with S.A.E. J518 dimensional requirements. This design greatly reduces hydraulic fluid connection leaks often associated with tapered thread and gasket type seals. The compact envelope dimensions reduce space limitations. The unit allows for blind adjustments, incorporating open/close detent position locks which can be infinitely positioned to achieve a required flow rate.

INSTALLATION

Series SAE Butterfly Valves are designed for use with mating S.A.E fluid-power mounting flanges. Before installing, apply a small amount of grease to the flange O-ring to lubricate and aid in positioning during the installation. Inspect all flange faces for foreign material and remove if necessary. With the valve in the closed position, carefully insert unit between flanges, making sure O-ring remains in position. Hand-tighten flange bolts evenly. Slowly open and close the valve to confirm proper operation of valve disc. With the valve in full-open position, cross-tighten the flange bolts to proper torque. The valve is now ready for service.

SPECIFICATIONS

- Line Size:** 2", 2-1/2", 3", 4", 5"
- End Connection:** O-ring flange face seal (S.A.E. J518).
- Pressure Limits:**
 - Body Shell:** 500 psi (34.5 bar).
 - Shut-Off:** 25 psi bubble tight (1.72 bar).
- Wetted Materials:**
 - Body and Disc:** Cast Iron.
 - O-Ring Seals:** Buna-N, Fluoroelastomer (optional).
 - Stem:** Steel.
- Temperature Limits:** 180°F (82.2°C) with Buna-N; 300°F (149°C) with Fluoroelastomer.

STANDARD MODELS

Model No.	S.A.E. Flange Size
SAE-20	2"
SAE-25	2-1/2"
SAE-30	3"
SAE-40	4"
SAE-50	5"

OPTIONS

Fluoroelastomer O-ring seals. Add suffix, VIT (SAE-30-VIT).
 Locking handle. Add suffix, LHR (SAE-30-LHR).

LETTER	Valve Size Dimensions in Inches (mm)				
	2"	2-1/2"	3"	4"	5"
A	2 (50.80)	2-1/2 (63.50)	3 (76.20)	4 (101.60)	5 (127.00)
B	2 (50.80)	2 (50.80)	2-1/2 (63.50)	3-1/4 (82.55)	4 (101.60)
C	3-1/16 (77.79)	3-1/2 (88.90)	4-3/16 (106.36)	5-1/8 (103.18)	6 (152.40)
D	1-11/16 (42.86)	2 (50.80)	2-7/16 (61.91)	3-1/16 (77.79)	3-5/8 (92.08)
E	1/2 (12.70)	1/2 (12.70)	5/8 (15.88)	5/8 (15.88)	5/8 (15.88)
F	1-3/4 (44.45)	2-1/16 (52.39)	2-5/16 (58.74)	2-3/4 (69.85)	3-5/16 (84.14)
G	2-13/16 (71.44)	3-1/8 (79.38)	3-3/8 (85.73)	4 (101.60)	4-3/8 (111.13)
H	5-1/8 (130.18)	5-1/8 (130.18)	5-1/8 (130.18)	5-5/8 (142.88)	6 (152.40)
J	13/16 (20.64)	13/16 (20.64)	1-1/16 (26.99)	1-1/4 (31.75)	1-1/2 (38.10)
K	5 (127.00)	5 (127.00)	5 (127.00)	5 (127.00)	5 (127.00)
L I.D. x WD	2-1/4 1/8 (57.15) (3.18)	2-3/4 1/8 (69.85) (3.18)	3-3/8 1/8 (85.73) (3.18)	4-3/8 1/8 (111.13) (3.18)	5-3/8 1/8 (136.53) (3.18)