



### Description & Features:

- Vac to 10,000 psi pressure range
- Explosion proof enclosure
- Rugged stainless steel construction with diffused silicone sensor
- Built in high pressure snubber (2,000 psi and above)
- NEMA 4X, 7 and 9
- $\pm 0.25\%$  accuracy
- cULus approved for hazardous locations
- Single seal ANSI compliant up to 6,000 psi
- CRN registered
- 5 year warranty

### Applications:

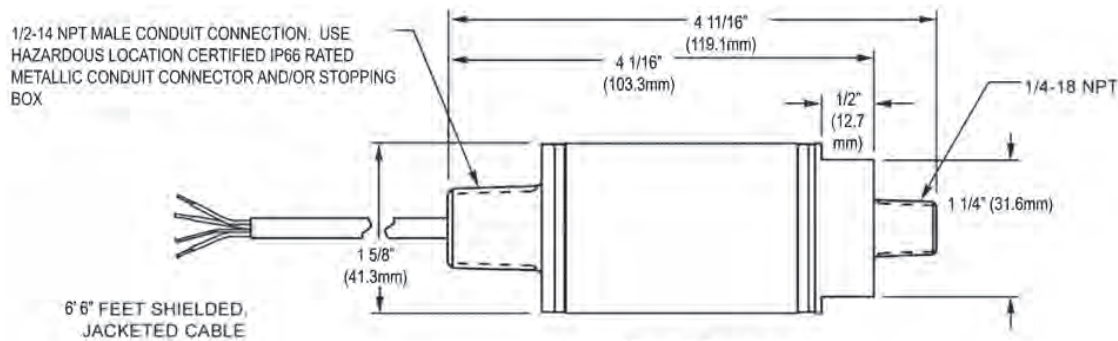
- Suitable for a variety of hazardous applications where the added security of an explosion proof enclosure is required including petrochemical plants, pipelines, fuel transfer systems and power plants
- Also appropriate for oil & gas, mining and water treatment industries

### Specifications

<b>Output Signal</b>	Standard 2-wire: 4-20 mA / Vs = 12-28 Vdc Optional 3-wire: 0.5-5.5 Vdc / Vs = 9-28 Vdc 3-wire: 1-11 Vdc / Vs = 14-28 Vdc Note: Other output signals available
<b>Accuracy</b>	$\pm 0.25\%$ BFS / $\pm 0.5\%$ for vacuum only
<b>Temperature Ranges</b>	Operating: $-40^{\circ}\text{F}$ to $160^{\circ}\text{F}$ ( $-40^{\circ}\text{C}$ to $71^{\circ}\text{C}$ ) Compensating: $30^{\circ}\text{F}$ to $160^{\circ}\text{F}$ ( $-1^{\circ}\text{C}$ to $71^{\circ}\text{C}$ ) Storage: $-40^{\circ}\text{F}$ to $185^{\circ}\text{F}$ ( $-40^{\circ}\text{C}$ to $85^{\circ}\text{C}$ )
<b>Temperature Shift</b>	0.0125% per $^{\circ}\text{F}$ over compensated range $75^{\circ}\text{F}$ ( $24^{\circ}\text{C}$ ) reference
<b>Vibration</b>	15 g / 10 to 2,000 Hz (MIL-STD-202)
<b>Shock</b>	50 g / 11 ms (MIL-STD-202, M213, Cond. G)
<b>Pressure Connection</b>	1/4" NPTM, 1/2" NPTM optional
<b>Housing</b>	304 SS
<b>Wetted Parts</b>	316 SS diaphragm and 17-4PH SS process connection
<b>Proof Pressure</b>	2 x rated pressure or 13,000 psi max
<b>Current Supply</b>	3 mA maximum (no load)
<b>Protection</b>	EMI, ESD and RFI, reverse polarity protected
<b>Approval</b>	cULus approved as telemetering equipment for use in hazardous locations (UL File E146589, WYMV, WYMV7) as follows: Class I, Div. 1, Groups A, B, C & D Class II, Div. 1, Groups E, F & G CRN registered
<b>Weight</b>	7.4 oz. (210 grams): $\leq 1,000$ psi 9.9 oz. (281 grams): $\geq 2,000$ psi

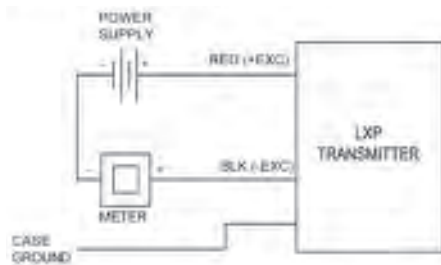
## Order Codes

Range	Proof Pressure	Process Connection	
		1/4"	1/2"
30" Hg Vac	30 psi	LXPSV1N4	LXPSV1N2
30"/0/15 psi	30 psi	LXPSV2N4	LXPSV2N2
30"/0/30 psi	60 psi	LXPSV3N4	LXPSV3N2
30"/0/60 psi	120 psi	LXPSV4N4	LXPSV4N2
30"/0/100 psi	200 psi	LXPSV5N4	LXPSV5N2
30"/0/150 psi	300 psi	LXPSV6N4	LXPSV6N2
30"/0/200 psi	400 psi	LXPSV7N4	LXPSV7N2
30"/0/300 psi	600 psi	LXPSV8N4	LXPSV8N2
0/15 psi	30 psi	LXPS15N4	LXPS15N2
0/30 psi	60 psi	LXPS30N4	LXPS30N2
0/60 psi	120 psi	LXPS60N4	LXPS60N2
0/100 psi	200 psi	LXPS1HN4	LXPS1HN2
0/150 psi	300 psi	LXPS2HN4	LXPS2HN2
0/200 psi	400 psi	LXPS3HN4	LXPS3HN2
0/300 psi	600 psi	LXPS4HN4	LXPS4HN2
0/500 psi	1,000 psi	LXPS5HN4	LXPS5HN2
0/600 psi	1,200 psi	LXPS6HN4	LXPS6HN2
0/1,000 psi	2,000 psi	LXPS1TN4	LXPS1TN2
0/1,500 psi	3,000 psi	LXPS2TN4	LXPS2TN2
0/2,000 psi	4,000 psi	LXPS3TN4	LXPS3TN2
0/3,000 psi	6,000 psi	LXPS4TN4	LXPS4TN2
0/4,000 psi	8,000 psi	LXPS5TN4	LXPS5TN2
0/5,000 psi	10,000 psi	LXPS6TN4	LXPS6TN2
0/6,000 psi	12,000 psi	LXPS7TN4	LXPS7TN2
0/7,500 psi	13,000 psi	LXPS8TN4	LXPS8TN2
0/10,000 psi	13,000 psi	LXPS9TN4	LXPS9TN2

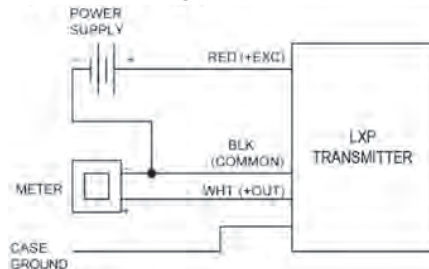


## Wiring Diagram

### Standard (Current)



### Optional (Voltage)



### Cable Leads

Cable Colours:	2-wire (current):	3-wire (voltage):
Red	+Excitation	+Excitation
White	-	+Output
Black	-Excitation	Common
Drain	Case Ground	Case Ground

