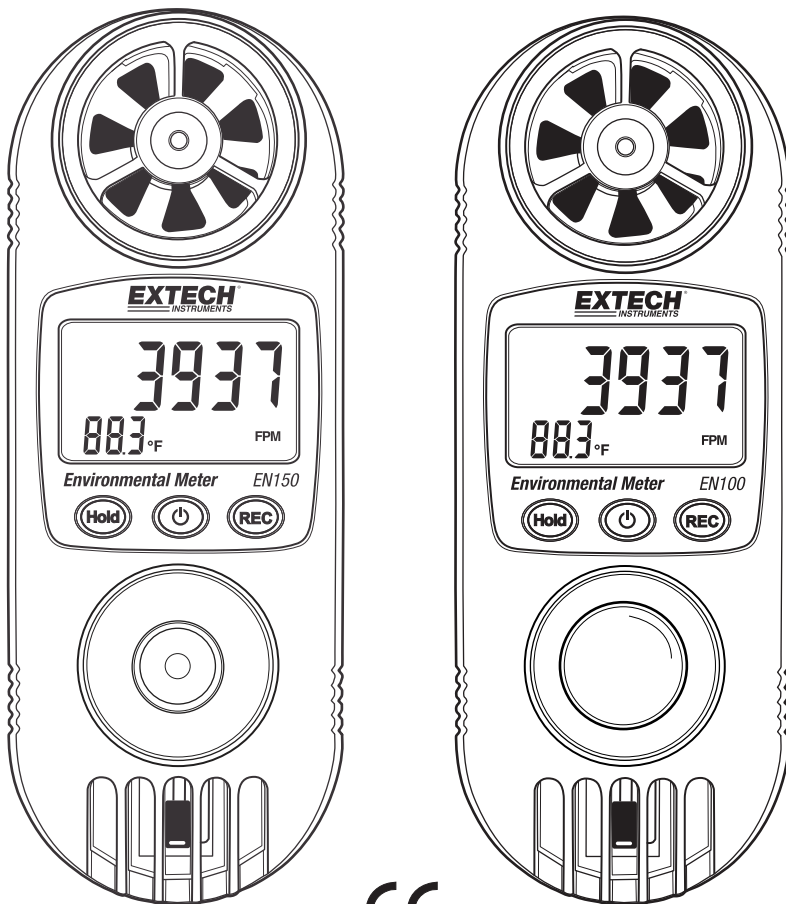


11 in 1 Environmental Meter

Model: EN150 and EN100



Please visit www.extech.com for user manual translations

Introduction

Congratulations on your purchase of this Extech Meter. The EN100/EN150 contains 11 professional meters built into one convenient package. This meter ships fully tested and calibrated and, with proper use, should provide many years of reliable service.

Features

This 11-in-1 professional measuring instrument provides the following functions:

1. Anemometer uses a low-friction ball bearing mounted wheel design for high accuracy
2. Humidity meter uses a high Precision humidity sensor for fast response time
3. Light meter uses a photo diode and color correction filter light sensor; spectrum meets C.I.E. photopic (EN100 only). The EN150 has a UV Light sensor
4. Optional PT100 RTD probe for external temperature measurements (EN100-PT)

Common Features

- Built-in microprocessor circuit assures excellent performance and accuracy
- Concise and compact button arrangement for ease of operation
- Maximum and minimum values
- Hold function freezes the current reading value
- Front panel °C / °F selection button
- Lux/Foot-candle selection button
- Five (5) air velocity measurement units, selected by a front panel button
- Dual display with simultaneous display of relative humidity and temperature or air velocity and temperature
- Automatic Zero for the light meter
- Measurement capabilities for: Air Velocity, Air Flow, Wind Chill, Humidity, Dew Point, Wet Bulb, Heat Index, Light (Visible – EN100) (UVA – EN150), Thermometer, Barometric Pressure, Altitude

Safety

International Safety Symbols



This symbol, adjacent to another symbol or terminal, indicates the user must refer to the manual for further information.



Double insulation

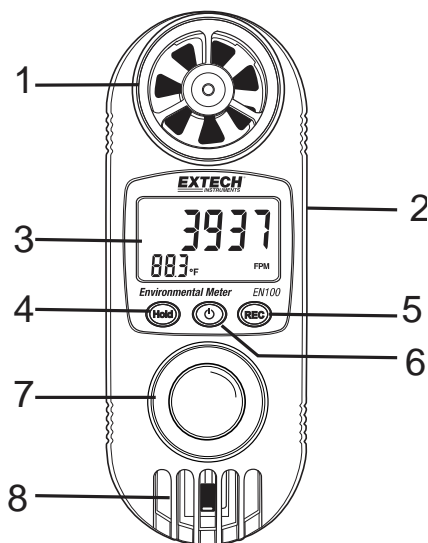
Cautions

- Improper use of this meter can cause damage, shock, injury or death. Read and understand this user manual before operating the meter.
- Inspect the condition of the probe and the meter itself for any damage before operating the meter. Repair or replace any damage before use.
- If the equipment is used in a manner not specified by the manufacturer, the protection provided by the equipment may be impaired.
- This device is not a toy and must not reach children's hands. It contains hazardous objects as well as small parts that the children could swallow. In case a child swallows any of them, please contact a physician immediately
- Do not leave batteries and packing material lying around unattended; they can be dangerous for children if they use them as toys
- In case the device is going to be unused for an extended period of time, remove the batteries to prevent them from draining
- Expired or damaged batteries can cause cauterization on contact with the skin. Always, therefore, use suitable hand gloves in such cases
- See that the battery is not short-circuited. Do not throw batteries into the fire.

Meter Description

1. Air Speed Sensor
2. PT100 RTD probe input socket (optional)
3. LCD Display
4. Hold Button
5. REC button
6. Power Button
7. Light Sensor (EN100); UV Sensor (EN150)
8. Air Temperature and Relative Humidity sensor

Note: Altitude sensor and battery compartment on rear of unit



Units of Measure Selections

Units	Function
An	Anemometer: ft/min, m/s, km/h, MPH, knots; Temp °C/ °F
AirFl	Air flow: CFM, CMM
CHiLL	Wind Chill: °C/ °F
rH	Relative Humidity: %RH; Temp: °C/ °F
dP	Dew Point: °C/ °F
_Et	Wet Bulb Temperature: °C/ °F
HEAt	Heat Index: °C/ °F
Light	Visible light: Lux, Ft-cd (EN100 only)
U A	UVA light: uW/cm ² , mW/cm ² (EN150 only)
BAr	Barometric pressure: mmHg, hPA, inHg
High	Altitude: Ft, m
Pt	Optional RTD probe (PT100)

Operation

Powering the meter

1. Press the Power button to turn the instrument ON
2. If the meter does not turn on or if the "☒☒" low battery symbol appears in the display, replace the batteries.
3. Press the Function button to select the measurement needed.
4. Press and hold the Power button for >4 seconds to power off the unit.

Anemometer - Air Velocity Measurement

1. Select the Air Velocity function by pressing and holding the "HOLD" button until the display indicates "An" and then release the HOLD button.
2. Press and Hold the "REC" button until 'Units' appears. Press the Power button (up) to select the desired units; Anemometer units (ft/min, m/s, km/h, MPH, or knots).
3. Press "REC" to select the temperature unit. C/F
4. Press the REC button again to return to the Air velocity measurement mode.
5. Face the air velocity sensor into the source of the airflow.
6. The display will show the air velocity and the ambient temperature.
7. Allow time for the reading to stabilize and note the values indicated.

Anemometer - Air Flow Measurement

1. Select the Air Flow function by pressing and holding the "HOLD" button until the display indicates "AirFI" then release the HOLD button.
2. Press and Hold the "REC" button until 'Units' appears. Press the Power button (up) to select CFM or CMM. Press the REC button to save the units.
3. To Enter the Square area of a duct, press the HOLD button momentarily. The HOLD icon will appear on the display. Press and hold the "REC" button until m-2 or F-2 appear in the lower left corner of the display. Use the Power (up) or HOLD button (down) to enter a Square area value. Press the "REC" button to save.
4. Face the air velocity sensor into the source of the airflow.
5. The display will show the Air Flow measurement.
6. Allow time for the reading to stabilize and note the values indicated. Air velocity may fluctuate slightly.

Wind Chill Measurement

1. Select the Wind Chill function by pressing and holding the "HOLD" button until the display indicates "CHILL" then release the HOLD button.
2. Press and Hold the "REC" button until dC/F appears. Press the Power button (up) to select C or F. Press the REC button to save the units.
3. Face the air velocity sensor into the source of the airflow.
4. The display will show the Wind Chill temperature.
5. Allow time for the reading to stabilize and note the values indicated. Air velocity may fluctuate slightly.

Note: In order to obtain accurate measurements for Air Temperature, RH, Dew point, Wet bulb, Wind Chill, and Heat Index, keep hands and fingers away from the sensor area at the bottom of the meter.

Humidity & Ambient Temperature Measurement

1. Select the Relative Humidity function by pressing and holding the "HOLD" button until the display indicates "rH" then release the HOLD button.
2. The humidity and air temperature readings will display on the LCD.
3. Allow several minutes of stabilization time to elapse each time the meter takes measurements in a new location.
4. To reverse the display, press the HOLD button for less than 1 second; 'HOLD' will appear on the display, press the Power button and the display will be reversed. Repeat the procedure to revert the display's orientation.

Note: In order to obtain accurate measurements for Air Temperature, RH, Dew point, Wet bulb, Wind Chill and Heat Index, keep hands and fingers away from the sensor area (8) at the bottom of the meter.

Dew Point Measurement

1. Select the Dew Point function by pressing and holding the "HOLD" button until the display indicates "dP" then release the Hold button.
2. Press and Hold the "REC" button until dC/F appears. Press the Power button (up) to select C or F. Press the REC button to save the units.
3. The Dew point temperature reading will display on the LCD in C or F units.
4. Allow several minutes of stabilization time to elapse each time the meter takes measurements in a new location.
5. To reverse the display, press the HOLD button for less than 1 second; 'HOLD' will appear on the display, press the Power button and the display will be reversed. Repeat the procedure to revert the display's orientation.

Wet Bulb Measurement

1. Select the Wet Bulb function by pressing and holding the "HOLD" button until the display indicates “_Et” then release the Hold button.
2. Press and Hold the "REC" button until dCcF appears. Press the Power button (up) to select C or F units. Press the REC button to save the units.
3. The Wet bulb temperature reading will display on the LCD in C or F units.
4. Allow several minutes of stabilization time to elapse each time the meter takes measurements in a new location.
5. To reverse the display, press the HOLD button for less than 1 second; 'HOLD' will appear on the display, press the Power button and the display will be reversed. Repeat the procedure to revert the display's orientation.

Note: In order to obtain accurate measurements for Air Temperature, RH, Dew point, Wet bulb, Wind Chill and Heat Index, keep hands and fingers away from the sensor area (8) at the bottom of the meter.

Heat Index Measurement

1. Select the Heat Index function by pressing and holding the "HOLD" button until the display indicates “HEAt” and then release the Hold button.
2. Press and Hold the "REC" button until dCcF appears. Press the Power button (up) to select C or F units. Press the REC button to save the units.
3. The Heat Index temperature reading will display on the LCD in C or F units.
4. Allow several minutes of stabilization time to elapse each time the meter takes measurements in a new location.
5. To reverse the display, press the HOLD button for less than 1 second; 'HOLD' will appear on the display, press the Power button and the display will be reversed. Repeat the procedure to revert the display's orientation.

Note: In order to obtain accurate measurements for Air Temperature, RH, Dew point, Wet bulb, Wind Chill and Heat Index, keep hands and fingers away from the sensor area (8) at the bottom of the meter.

Light Measurement – Visible Light (EN100 only)

1. Select the Light Measurement function by pressing and holding the "HOLD" button until the display indicates "**Light**" then release the HOLD button.
2. Press and hold the "REC" button until 'Units' appears. To switch between "Lux" or "Ft-cd" press the Power button. Press REC to exit and return to the Light measurement mode; the selected Unit (Lux or Ft-cd) will be displayed.
3. The Display will reverse and will show the light illuminance value in Lux or Ft-cd.

Light Measurement – UV Light (EN150 only)

1. Select the UVA Light Measurement function by pressing and holding the "HOLD" button until the display indicates "**U A**" and then release the HOLD button.
2. The display will read the value of UVA light in either mW/cm² or uW/cm². The unit of measure is not selectable here.
3. The Display will reverse and show the light illuminance value in mW/cm² or uW/cm².
4. To reverse the display, press the HOLD button for less than 1 second; 'HOLD' will appear on the display, press the Power button and the display will be reversed. Repeat the procedure to revert the display's orientation.

Altitude Measurement

1. Select the Altitude Pressure function by pressing and holding the "HOLD" button until the display indicates "**High**" then release the HOLD button.
2. Select the altitude units by pressing "REC" button until the display shows 'units'. Press the Power button to change the units and then press "REC" button to save. Units are Ft (feet) and m (meters).
3. The display will read the altitude.

Note: For an accurate Altitude measurement you can

- Enter a known altitude.
 - Enter the Sea level barometric pressure setting.
- a. Set the known value for altitude.
 - Power ON the meter and set it to read Altitude (High).
 - Set the Units of measure to Ft or m.
 - Press the HOLD button once, 'hold' will appear on the display. Press the REC button, the display will show either Ft or m units.
 - Using the Power (up) or Hold (down) buttons, set the value to the known altitude. Press the REC button to save the value.
 - b. Set the known Sea level barometric pressure (check a local Airport)
 - Select the Barometric Pressure function by pressing and holding the "HOLD" button until the display indicates "**bAr**" and then release the HOLD button.

- Select the preferred pressure units by pressing "REC" button until the display shows units. Press the Power button to change the units to hPa and then press "REC" button to save. (mBar = hPa)
- Select the Altitude function by pressing and holding the "HOLD" button until the display indicates "**High**" and then release the HOLD button.
- Press the HOLD button once, 'hold' will appear on the display. Press the REC button for more than 3 seconds, the display will show either hpa, mmHg or inHg units.
- Using the Power (up) or Hold (down) buttons, set the value to the known sea level barometric pressure. Press the REC button to save the value.

Barometric Pressure Measurement

1. Select the Barometric Pressure function by pressing and holding the "HOLD" button until the display indicates "**bAr**" and then release the HOLD button.
2. Select the pressure units by pressing "REC" button until the display shows 'units'. Press the Power button to change the units and then press "REC" button to save. The available units are hPa, mmHg, and inHg.
3. The display will read the actual air pressure.

Note: Altitude and Air Pressure affect the actual Air pressure measurement.

4. To view the Sea level Barometric pressure, follow this procedure
 - a. Press the HOLD button once, 'hold' will appear on the display. Press the REC button for more than 3 seconds, the display will show either Ft or m units.
 - b. Using the Power (up) or Hold (down) buttons, set the value to the known actual altitude value. Press the REC button to show the Sea level pressure.

Note: After powering OFF and then ON, the pressure reading will read actual barometric pressure.

Temperature Measurement (Optional RTD probe)

1. Plug the optional, (PT100) RTD probe into the "RTD Input Socket".
2. Select the External Temperature function by pressing and holding the "HOLD" button until the display indicates "**Pt**" and then release the HOLD button.
3. Select the temperature units by pressing the "REC" button until the display shows 'units'. Press the Power button to change the units and then press the "REC" button to save (°C or °F).
4. Touch the RTD probe to the surface under test.
5. The temperature value will display on the LCD display.

Hold Function

Press the "Hold Button" to freeze the current reading value, the "HOLD" symbol appears on the display. Press the button again to return to normal operation.


Data Record Function

1. The Record function captures & displays the Maximum and Minimum reading values.
Start the Data Record function by pressing the "REC" button once. The "REC" symbol appears on the display.
2. With the REC symbol on the display:
 - a. Press the "REC" button once and the "Max" symbol along with the maximum value will appear on the display.
 - b. Press the "REC" button again; the "Min" symbol along with the minimum value will appear on the display.
 - c. To exit the Data Record function, press and hold the "REC" button for at least 2 seconds. The display will revert to the current reading and the Max/Min values will clear.

Auto Power-off

To prolong the life of the batteries, the instrument has an "Auto Power-off" function. The meter will automatically switch off if there are no button presses in any 10-minute period. To disable the Auto OFF feature, start Data Record as outlined above.

Battery Replacement

1. When the LCD display shows the " " symbol, it is necessary to replace the battery. However, the meter will work accurately for several hours after the low battery indicator appears.
2. Remove the battery cover by turning the cover counter-clockwise 1/8 of a turn.
3. Install a fresh CR2032 battery (3VDC) and then securely affix the cover.

Battery Safety Reminders

- o Please dispose of batteries responsibly; observe local, state, and national regulations.
- o Never dispose of batteries in a fire; batteries may explode or leak.
- o Never mix battery types; install new batteries of the same type.

Specifications

General Specifications

Display Dimensions	0.7 x 1.6" (18 x 32mm)
Measurements	Air Velocity, Air Flow, Wind Chill, Humidity, Dew Point, Wet Bulb, Heat Index, Light (Visible – EN100; UVA – EN150), Thermometer, Barometric Pressure, Altitude
Operating Humidity	80%RH Max.
Operating Temperature	32 to 122°F (0 to 50°C)
Over Input Display	Indication of "- - -"
Power Supply	CR2032 battery, DC 3V
Power Consumption	Approx. DC 5 mA
Weight	0.35 lbs. (160 g) with battery installed
Dimension	HxWxD 4.7 x 1.8 x 1.2" (120 x 45 x 20 mm)

Electrical Specifications

Anemometer (Air velocity/Temperature)

Units	Range	Res.	Accuracy
ft/min	80 to 3937 ft/min	1	± 3% F.S.
m/s	0.4 to 20.0 m/s	0.1	
km/h	1.4 to 72.0 km/h	0.1	
MPH	0.9 to 44.7 mile/h	0.1	
knots	0.8 to 38.8 knots	0.1	
°F	32 to 122°F	0.1	± 2.5°F
°C	0 to 50°C	0.1	± 1.2°C

Air Flow

Units	Range	Resolution
CFM	0.847 to 1271300	0.001/0.01/0.1/1/10(x10)/100(x100)
CMM	0.024 to 36000	0.001/0.01/0.1/1

Humidity/Temperature

Units	Range	Resolution	Accuracy
%RH	10 to 95 %RH	0.1	< 70 %RH :± 4 %RH ≥ 70 %RH :± (4%rdg + 1.2 %RH)
°F	32 to 122°F	0.1	± 2.5°F
°C	0 to 50°C	0.1	± 1.2°C

Dew Point Temperature

Units	Range	Resolution	Accuracy
°F	-13.5 to 120.0	0.1	Calculated from %RH and temperature
°C	-25.3 to 49.0	0.1	

Wet Bulb Temperature

Units	Range	Resolution	Accuracy
°F	22.2 to 120.0	0.1	Calculated from %RH and temperature
°C	-5.4 to 49.0	0.1	

Wind Chill

Units	Range	Resolution	Accuracy
°F	15.0 to 112.0	0.1	± 3.6
°C	-9.4 to 44.2	0.1	± 2.0

Heat Index

Units	Range	Resolution	Accuracy
°F	32 to 212.0	0.1	± 3.6
°C	0 to 100	0.1	± 2.0

Barometric Pressure

Units	Range	Resolution	Accuracy
hPa	10 to 999.9	0.1	±1.5 hPa
	1000 to 1100	1	± 2 hPa
mmHg	7.5 to 825.0	0.1	± 1.2
inHg	0.29 to 32.48	0.01	± 0.05

Altitude

Units	Range	Resolution	Accuracy
m	-2000 to 9000	1	± 15
Ft	-6000 to 30000	1	± 50

Visible Light (EN100 only)

Units	Range	Resolution	Accuracy
Lux	0 to 2,200 Lux	1	± 5% rdg ± 8 digits
	1,800 to 20,000 Lux	10	
Ft-cd	0 to 204.0 Fc	0.1	
	170 to 1,860 Fc	1	

UVA Light (EN150 only) (band pass 290nm to 390nm)

Units	Range	Resolution	Accuracy
uW/cm ²	0 to 1999	1	±(4%Full Scale + 2 digits)
mW/cm ²	2 to 20.00	0.01	

RTD Thermometer

Units	Range	Resolution	Accuracy
°F	14 to 158	1	± 2.5
°C	-10 to 70	1	± 1.2

Note: The EN100-TP RTD probe is optional

Warranty

FLIR Systems, Inc. warrants this Extech Instruments brand device to be free of defects in parts and workmanship for one year from date of shipment (a six month limited warranty applies to sensors and cables). If it should become necessary to return the instrument for service during or beyond the warranty period, contact the Customer Service Department for authorization. Visit the website www.extech.com for contact information. A Return Authorization (RA) number must be issued before any product is returned. The sender is responsible for shipping charges, freight, insurance and proper packaging to prevent damage in transit. This warranty does not apply to defects resulting from action of the user such as misuse, improper wiring, operation outside of specification, improper maintenance or repair, or unauthorized modification. FLIR Systems, Inc. specifically disclaims any implied warranties or merchantability or fitness for a specific purpose and will not be liable for any direct, indirect, incidental or consequential damages. FLIR's total liability is limited to repair or replacement of the product. The warranty set forth above is inclusive and no other warranty, whether written or oral, is expressed or implied.

Calibration, Repair, and Customer Care Services

FLIR Systems, Inc. offers repair and calibration services for the Extech Instruments products we sell. NIST certification for most products is also provided. Call the Customer Service Department for information on calibration services available for this product. Annual calibrations should be performed to verify meter performance and accuracy. Technical support and general customer service is also provided, refer to the contact information provided below.

Support Lines: U.S. (877) 239-8324; International: +1 (603) 324-7800

Technical Support: Option 3; E-mail: support@extech.com

Repair & Returns: Option 4; E-mail: repair@extech.com

Product specifications are subject to change without notice

Please visit our website for the most up-to-date information

www.extech.com

FLIR Commercial Systems, Inc., 9 Townsend West, Nashua, NH 03063 USA

ISO 9001 Certified

Copyright © 2014-2016 FLIR Systems, Inc.

All rights reserved including the right of reproduction in whole or in part in any form

www.extech.com

Garantie

FLIR Systems, Inc. garantit que cet appareil Extech Instruments est exempt de défauts matériaux et de fabrication pendant un an à partir de la date d'envoi (une garantie limitée de six mois s'applique aux capteurs et aux câbles). Si le renvoi de l'appareil pour réparation devient nécessaire durant ou après la période de garantie, contactez le service client pour autorisation. Pour obtenir les coordonnées, visitez le site Web suivant : www.extech.com. Un numéro d'autorisation de retour (AR) doit être délivré avant tout retour de produit. L'expéditeur prend à sa charge les frais d'expédition, le fret, l'assurance et l'emballage correct de l'appareil afin de prévenir toute détérioration durant le transport. Cette garantie ne s'applique pas aux dommages imputables à l'utilisateur, tels que l'usage impropre ou abusif, un mauvais câblage, une utilisation non conforme aux spécifications, un entretien ou une réparation incorrecte, ou toute modification non autorisée. FLIR Systems, Inc. déclinera spécifiquement toute garantie ou qualité marchande ou aptitude à l'emploi prévu, et ne sera en aucun cas tenu responsable pour tout dommage consécutif, direct, indirect ou accidentel. La responsabilité totale de FLIR est limitée à la réparation ou au remplacement du produit. La garantie définie ci-dessus est inclusive et aucune autre garantie, écrite ou orale, n'est exprimée ou implicite.

Calibrage, réparation et services après-vente

FLIR Systems, Inc. offre des services de calibrage et de réparation pour les produits Extech Instruments que nous commercialisons. Nous fournissons également une certification NIST pour la plupart des produits. Contactez notre service client pour toute information sur les services de calibrage disponibles pour ce produit. Un calibrage doit être effectué chaque année pour vérifier les performances et la précision du mètre. Nous offrons également une assistance technique et un service à la clientèle. Veuillez vous reporter aux coordonnées fournies ci-dessous.

Lignes d'assistance: États-Unis (877) 239-8324; international: +1 (603) 324-7800

Service d'assistance technique : Option 3 ; E-mail : support@extech.com

Réparations et retours : Option 4 ; E-mail : repair@extech.com

Les spécifications produit sont sujettes à modifications sans préavis.

Pour les toutes dernières informations, veuillez visiter notre site Web.

www.extech.com

FLIR Commercial Systems, Inc., 9 Townsend West, Nashua, NH 03063 USA

Certifié ISO 9001

Copyright © 2014-2016 FLIR Systems, Inc.

Tous droits réservés, y compris la reproduction partielle ou totale sous quelque forme que ce soit.

www.extech.com

Garantía

FLIR Systems, Inc., garantiza este dispositivo marca Extech Instruments para estar libre de defectos en partes o mano de obra durante un año a partir de la fecha de embarque (se aplica una garantía limitada de seis meses para cables y sensores). Si fuera necesario regresar el instrumento para servicio durante o después del periodo de garantía, llame al Departamento de Servicio al Cliente para obtener autorización. Visite www.extech.com para Información de contacto. Se debe expedir un número de Autorización de Devolución (AD) antes de regresar cualquier producto. El remitente es responsable de los gastos de embarque, flete, seguro y empaque apropiado para prevenir daños en tránsito. Esta garantía no se aplica a defectos resultantes de las acciones del usuario como el mal uso, alambrado equivocado, operación fuera de las especificaciones, mantenimiento o reparación inadecuada o modificación no autorizada. FLIR Systems, Inc., rechaza específicamente cualesquier garantías implícitas o factibilidad de comercialización o idoneidad para cualquier propósito determinado y no será responsable por cualesquier daños directos, indirectos, incidentales o consecuentes. La responsabilidad total de FLIR está limitada a la reparación o reemplazo del producto. La garantía precedente es inclusiva y no hay otra garantía ya sea escrita u oral, expresa o implícita.

Servicios de calibración, reparación y atención a clientes

FLIR Systems, Inc., ofrece servicios de reparación y calibración para los productos que vendemos de Extech Instruments. Además ofrecemos certificación NIST para la mayoría de los productos. Llame al Departamento de Servicio al Cliente para solicitar información de calibración para este producto. Para verificar el funcionamiento y precisión se debe realizar la calibración anual. Además se provee Soporte Técnico y servicios generales al cliente, consulte la información de contacto en seguida.

Líneas de soporte: EE.UU. (877) 239-8324; Internacional: +1 (603) 324-7800

Soporte Técnico Opción 3; correo electrónico: support@extech.com

Reparación / Devoluciones: Opción 4; correo electrónico: repair@extech.com

Las especificaciones del producto están sujetas a cambios sin aviso

Por favor visite nuestra página en Internet para la información más actualizada

www.extech.com

FLIR Commercial Systems, Inc., 9 Townsend West, Nashua, NH 03063 USA

Certificado ISO 9001

Copyright © 2014-2016 FLIR Systems, Inc.

Reservados todos los derechos, incluyendo el derecho de reproducción total o parcial en cualquier medio

www.extech.com