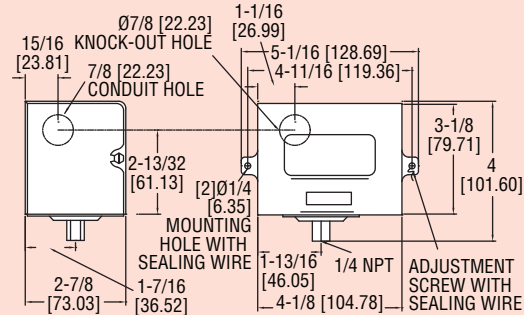


Series  
AP

# Diaphragm Operated Pressure Switches

Visible Setpoint Adjustment, Compact



**Reliable and convenient,** Series AP pressure switch is a compact switch for instrument air or other low pressure applications. Visible set point and external adjustment add convenience. Used on air, noncorrosive gas or liquid service compatible with wetted parts. Unit also available in weatherproof and explosion-proof housing.

## SPECIFICATIONS

**Wetted Materials:** Nylon reinforced Buna-N and steel. PTFE and 316 SS optional.

**Temperature Limits:** -30 to 150°F (-35 to 66°C).

**Pressure Limit:** See model chart.

**Enclosure Rating:** General purpose. Weatherproof and explosion-proof optional.

**Switch Type:** SPDT mercury switch or SPDT snap switch. Other switch types available.

**Electrical Rating:** Mercury switch: 4 A @ 120 VAC/DC, 2 A @ 240 VAC/DC; Snap switch: 15 A @ 120 VAC, 8 A @ 240 VAC, 0.5 A @ 120 VDC, 0.25 A @ 240 VDC.

**Electrical Connections:** Screw terminal.

**Conduit Connection:** 7/8" (22.23 mm) hole for 1/2" (12.7 mm) conduit hub.

**Process Connection:** 1/4" female NPT.

**Mounting Orientation:** Vertical for mercury switch models, any position for snap switch models.

**Set Point Adjustment:** External screw.

**Weight:** General purpose: 2 lb (0.9 kg).

**Deadband:** See model chart.

**Agency Approvals:** CE, FM, UL. For FM consult factory. (Mercury switch units are not CE approved.)

| Model          | Switch*<br>Type<br>SPDT | Ranges                                  | Switch Deadband         |                          | Max.<br>Press.<br>psig<br>(bar) |
|----------------|-------------------------|---|-------------------------|--------------------------|---------------------------------|
|                |                         |   | Low                     | High                     |                                 |
| AP-153-33      | Mercury                 | 10 in vac-50 in w.c.<br>(2.5-12.4 kPa)  | 5 in w.c.<br>(1.2 kPa)  | 6 in w.c.<br>(1.49 kPa)  | 15<br>(1.03)                    |
| AP-153-37      | Mercury                 | 1-30 psig<br>(.07-2.1 bar)              | 0.4 psig<br>(0.03 bar)  | 0.75 psig<br>(0.05 bar)  | 60<br>(4.14)                    |
| AP-153-39      | Mercury                 | 10-125 psig<br>(.69-8.6 bar)            | 2 psig<br>(0.14 bar)    | 6 psig<br>(0.04 bar)     | 160<br>(11.0)                   |
| AP-7021-153-33 | Snap                    | 10 in vac.-50 in w.c.<br>(2.5-12.4 kPa) | 8 in w.c.<br>(2.0 kPa)  | 10 in w.c.<br>(2.49 kPa) | 15<br>(1.03)                    |
| AP-7021-153-37 | Snap                    | 1-30 psig<br>(.07-2.1 bar)              | 0.75 psig<br>(0.05 bar) | 1.5 psig<br>(0.10 bar)   | 60<br>(4.14)                    |
| AP-7021-153-39 | Snap                    | 10-125 psig<br>(.69-8.6 bar)            | 3 psig<br>(0.21 bar)    | 7 psig<br>(0.48 bar)     | 160<br>(11.0)                   |

\*Mercury switch units are not CE approved.