

VerifEye™ Mini Meter™ Multiple Meter Unit (MMU) Kits



DEFINITION

VerifEye™ Mini Meter™ (kWh) Multiple Meter Units (MMUs) Kits offer immediate, off-the-shelf installation and easy specification for multi-tenant submetering applications. The MMUs are designed to meter multiple single phase (120/208/240V) loads originating from a single, high density distribution panel.

MMUs have important advantages over multiple individually housed meters including:

- Smaller total mounting footprint
- Reduced hardware requirements (conduit, wire, short circuit protection devices, etc.)
- Reduced installation time
- Individual meters in one enclosure architecture enhances product reliability

Each VerifEye Mini Meter installed in an MMU is a revenue-grade, ANSI C12.1-compliant energy meter that is backed by Leviton's best in the industry 5-year warranty. Mini Meter MMU Kits are NEMA 4X rated and UL listed, suitable for either indoor or outdoor installations.

Each Mini Meter MMU has built-in pulse outputs for connection to Automatic Meter Reading equipment as well as on-site kWh displays.

Suitable for both new construction and retrofit applications, Mini Meter (kWh) MMUs are available in 3 sizes:

- **Medium:** Houses 2 to 4 Mini Meters
- **Large:** Houses 5 to 7 Mini Meters
- **Extra-Large:** Houses 9 to 18 Mini Meters

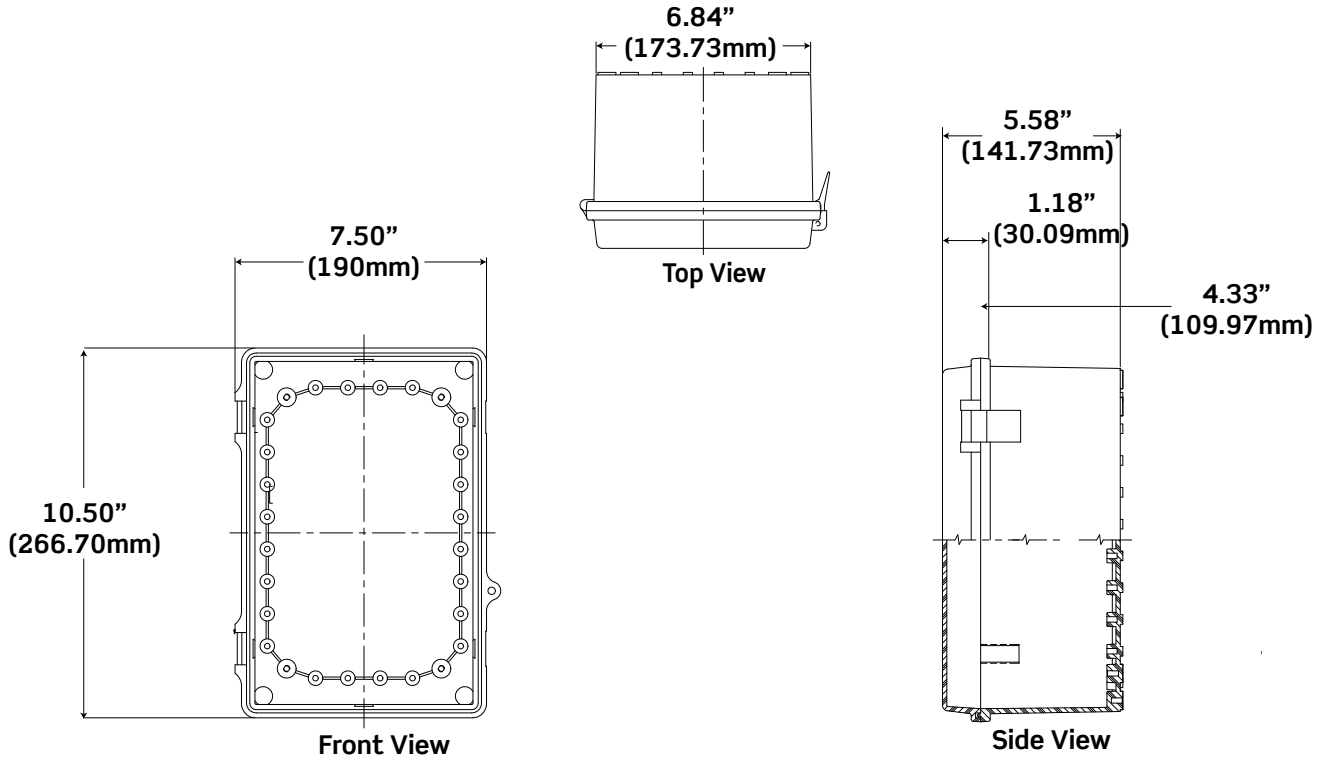
FEATURES

- No configuration form required
- Kitted with CTs for revenue grade metering
- Includes DIN Rail hardware to mount VerifEye HD Pulse module for AMR system integration

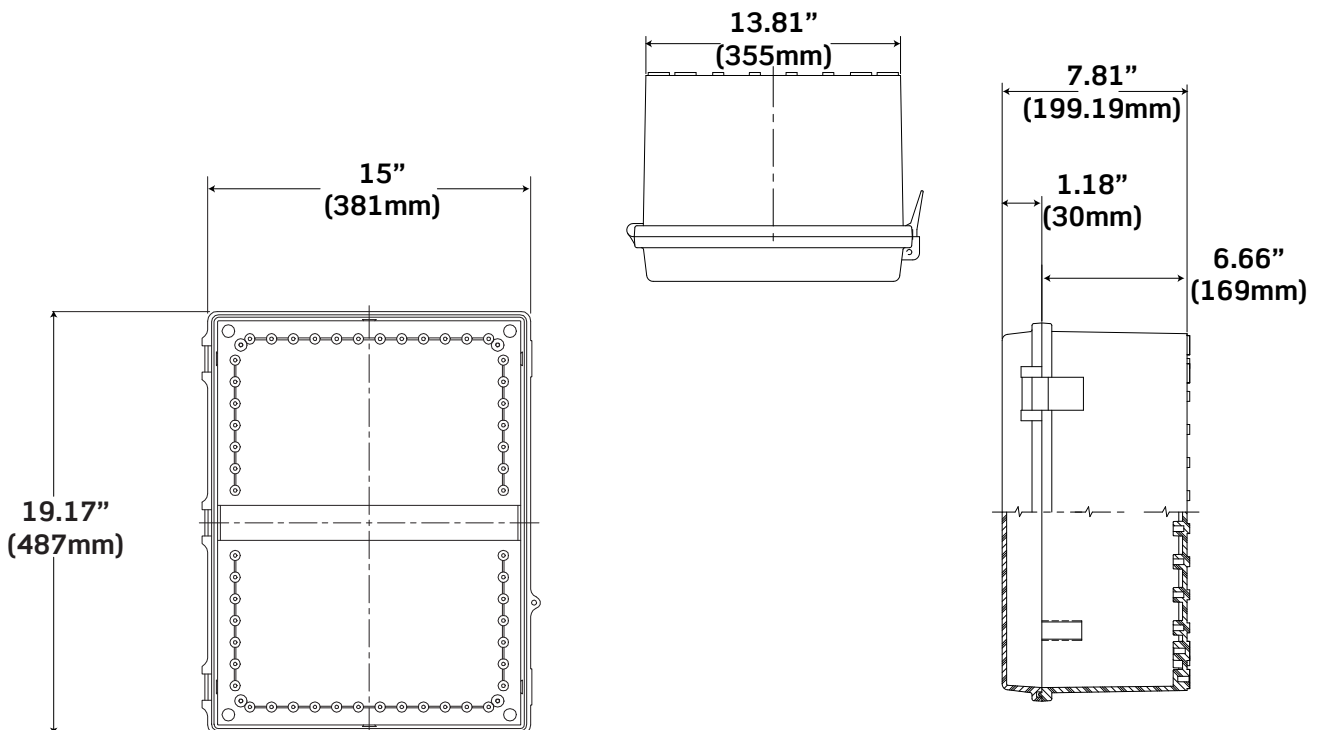
VerifEye™ Mini Meter™ MMU Kits

PRODUCT DATA

MEDIUM SERIES MINI METER MMU DIMENSIONS

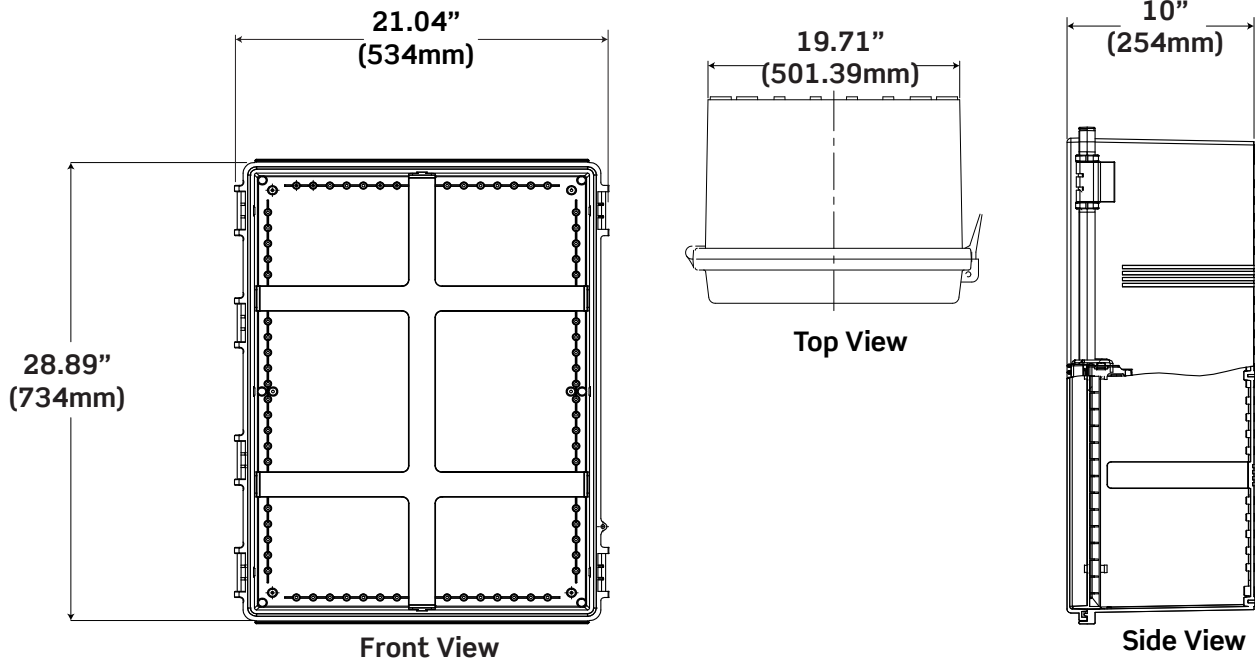


LARGE SERIES MINI METER MMU DIMENSIONS

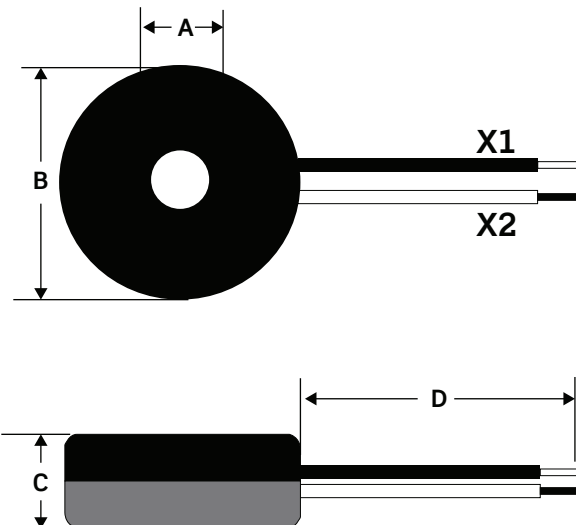


VeriEye™ Mini Meter™ MMU Kits

EXTRA-LARGE SERIES MINI METER MMU DIMENSIONS



SOLID CORE CT DIMENSIONS



A	B	C	D
0.72" (18.3mm)	2.06" (52.3mm)	0.82" (20.8mm)	48.00" (1219mm)

VeriEye™ Mini Meter™ MMU Kits

ORDERING INFORMATION

Voltage	Description	Leviton P/N
MEDIUM MINI METER MMU, 2-4 METERS, NEMA 4X ENCLOSURE, 200A CTs		
120V 1P/2W 120/240V 2P/3W 120/208V 3P/4W*	2 Dual Element Meters, Kitted with CTs	6M302-KIT
	3 Dual Element Meters, Kitted with CTs	6M303-KIT
	4 Dual Element Meters, Kitted with CTs	6M304-KIT
LARGE MINI METER MMU, 5-7 METERS, NEMA 4X ENCLOSURE, 200A CTs		
120V 1P/2W 120/240V 2P/3W 120/208V 3P/4W*	5 Dual Element Meters, Kitted with CTs	6L305-KIT
	6 Dual Element Meters, Kitted with CTs	6L306-KIT
	7 Dual Element Meters, Kitted with CTs	6L307-KIT
EXTRA-LARGE MINI METER MMU, 9-18 METERS, NEMA 4X ENCLOSURE, 200A CTs		
120V 1P/2W 120/240V 2P/3W 120/208V 3P/4W*	9 Dual Element Meters, Kitted with CTs	6X309-KIT
	10 Dual Element Meters, Kitted with CTs	6X310-KIT
	11 Dual Element Meters, Kitted with CTs	6X311-KIT
	12 Dual Element Meters, Kitted with CTs	6X312-KIT
	13 Dual Element Meters, Kitted with CTs	6X313-KIT
	14 Dual Element Meters, Kitted with CTs	6X314-KIT
	15 Dual Element Meters, Kitted with CTs	6X315-KIT
	16 Dual Element Meters, Kitted with CTs	6X316-KIT
	17 Dual Element Meters, Kitted with CTs	6X317-KIT
18 Dual Element Meters, Kitted with CTs	6X318-KIT	

*Input voltage configuration

The following products are also part of the VerifEye line of integrated metering solutions.

- Series 1000 Meters
- Series 2000 Meters
- Series 3500 Meters
- Series 4000/4100 Meters
- Series 8000 Multi-Point Meters
- EMH+ Integrated Meter & Hub
- 0.5% Mini Meters
- Mini Meters
- OEM Gen 3 Mini Meter
- Multiple Meter Units (MMUs)
- Current Transformers (CTs)
- BillSuite
- Building Manager Online (BMO) 3.0

VerifEye™ Mini Meter™ MMU Kits