



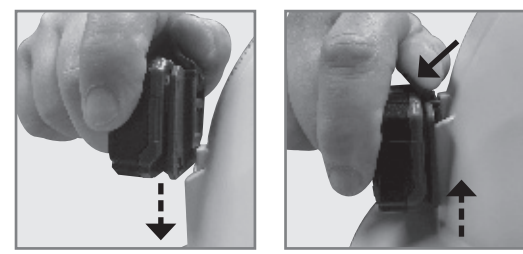
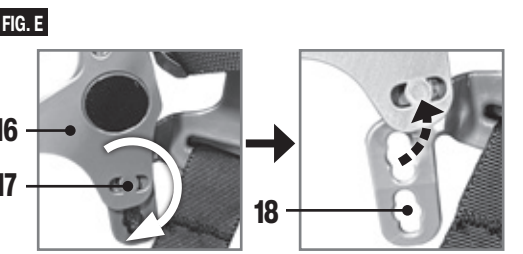
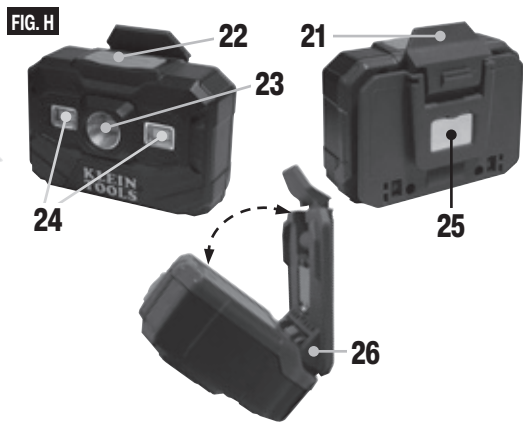
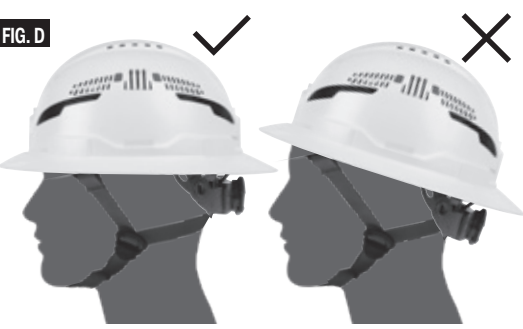
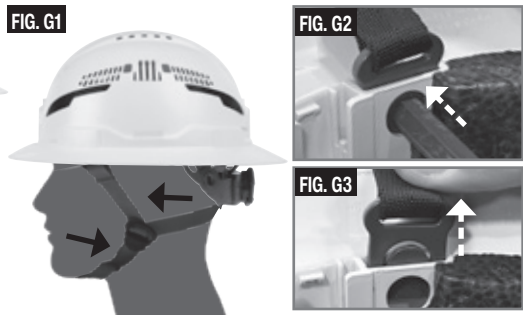
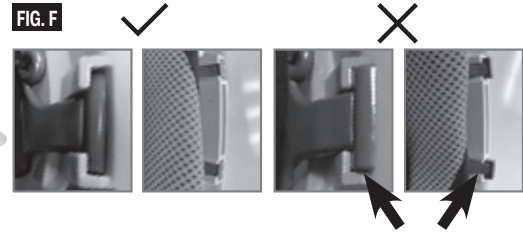
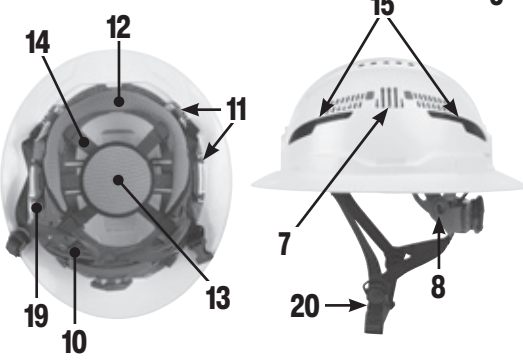
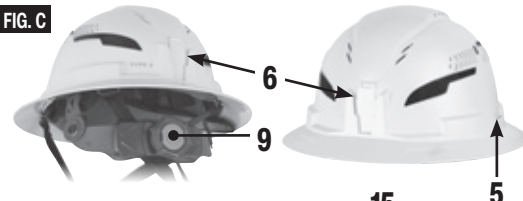
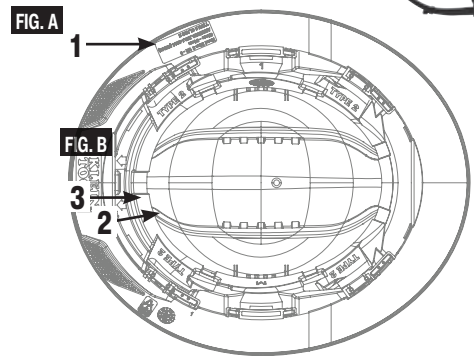
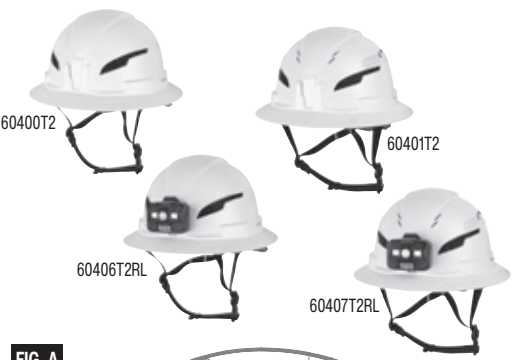
INSTRUCTIONS / INSTRUCCIONES / INSTRUCTIONS

ENGLISH - pg. 2

ESPAÑOL - pg. 3

FRANÇAIS - pg. 4

TYPE 2



WARNING! BEFORE USE: READ ALL INSTRUCTIONS OR RISK SERIOUS INJURY OR DEATH. DO NOT REMOVE LABEL.

• This protective headwear is designed to absorb some of the energy of a blow through partial destruction of its component parts and, even though damage may not be readily apparent, any protective headwear subjected to severe impact should be replaced.
• This protective headwear must not be painted or cleaned with solvents. Any decals applied to the protective headwear must be compatible with the surface material and known not to affect adversely the characteristics of the materials used in the protective headwear. • Any addition or structural modification may reduce the protective properties afforded by this protective headwear.

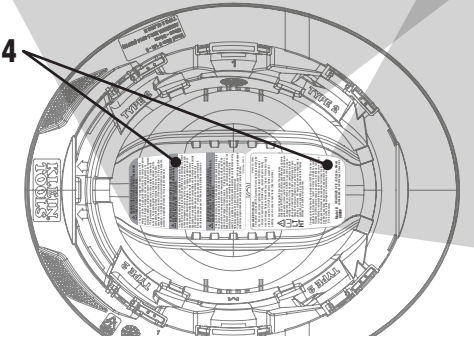
ATTENTION. AVANT UTILISATION: LIRE TOUTES LES INSTRUCTIONS OU RISQUE DE BLESSURES GRAVES OU DE MORT. NE PAS ENLEVER L'ÉTIQUETTE.

• Ce casque de sécurité est conçu pour absorber une partie du choc produit par un coup par la destruction partielle de ses composants. Même si l'endommagement n'est pas visible, tout casque de sécurité qui a subi un choc sévère devrait être remplacé. • Ce casque de sécurité ne doit pas être peint ni nettoyé à l'aide de solvants. Toute décalcomanie appliquée à ce casque doit être compatible avec le matériau de la calotte et être reconnue inoffensive pour les matériaux entrant dans la fabrication du casque. • Tout ajout au casque ou toute modification structurale du casque peut en réduire les propriétés de protection.

ADVERTENCIA! ANTES DE USAR: LEA TODAS LAS INSTRUCCIONES O PELIGRO DE LESIONES GRAVES O LA MUERTE. NO quite LA ETIQUETA.

• Esta gorra de protección está diseñada para absorber parte de la energía de un golpe a través de la destrucción parcial de sus componentes y, aunque el daño no sea aparente, debe reemplazarse cualquier gorro de protección que tenga un impacto severo. • Esta gorra de protección no debe pintarse ni limpiarse con disolventes. Las calcomanías aplicadas a los sombreros protectores deben ser compatibles con el material de la superficie y se sabe que no afectan adversamente las características de los materiales utilizados en los sombreros protectores. • Cualquier adición o modificación estructural puede reducir las propiedades protectoras proporcionadas por esta protección para la cabeza.

1370537 Rev. 02/23 G



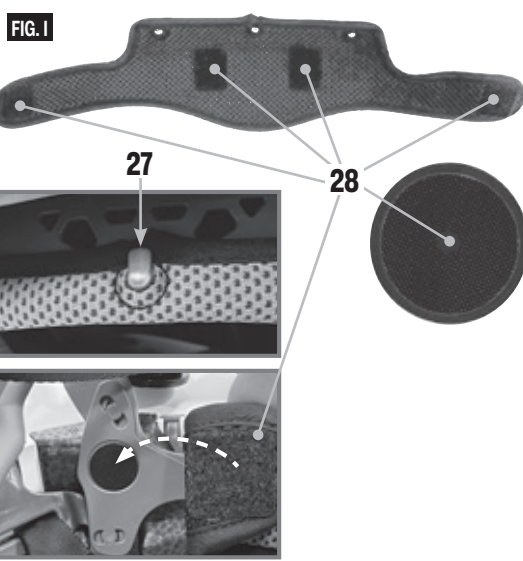
www.kleintools.com 137#### Rev. #### X
This helmet provides LIMITED protection from small objects striking the top, front, back, left and right sides of the helmet. NEVER use as a vehicular or sports helmet. Before using, replace any part showing wear or damage. Replace helmet after any impact. Never alter or apply paints or solvents. DO NOT expose safety helmet, suspension, padding, and chin strap to open flame. (See Instructions).

! Este casco de seguridad tipo cachucha proporciona protección LIMITADA contra objetos pequeños que golpean la parte superior, frontal, posterior, izquierda y derecha del casco de seguridad tipo cachucha. NUNCA lo use como un casco vehicular o deportivo. Antes de usar, reemplace cualquier pieza que muestre desgaste o daño. Reemplace el casco después de cualquier impacto. Nunca altere ni aplique pinturas o solventes. NO exponga el casco de seguridad, la suspensión, el acolchado y la correa de barbilla a llamas abiertas. (Consulte las instrucciones).

CE casque de chantier offre une protection LIMITÉE contre les petits objets percutant le dessus, l'avant, l'arrière et les côtés du casque. N'utilisez JAMAIS comme casque de sport ou de véhicule. Avant toute utilisation, remplacez toute pièce présentant une usure ou des dommages. Remplacer le casque après tout impact. Ne jamais modifier ou appliquer des peintures ou des solvants. N'exposez PAS la coiffe, le rembourrage et la mentonnière à une flamme nue. (Voir les instructions).

Model # HEAD SIZE 6 1/2 - 8 (52cm - 64cm)
ANSII/SEA Z89.1-2014 R2019, Type 2, Class G & E

NOTE: This label is representative and you will vary based on model #



GENERAL SPECIFICATIONS

- **Standards:** These Klein Tools Hard hats comply with Type 2 ANSI/ISEA Z89.1-2014 (R2019)
 - Class E non-vented Hard hats have been tested up to 20KV.
- **Shell material:** PC/ABS composite
- **Fits:** Head Sizes 6-1/2 to 8 (20-1/2 to 25 inches / 52 to 64 cm)

SYMBOLS ON PRODUCT (FIG. A)

- 1 Compliant Standards, Class, Type, and Head Size information
- 2 Date of manufacture
- 3 Recycling code and material type
- 4 Warning labels

WARNING LABELS (FIG. B)

There are warning labels (4) affixed to the inside of this hard hat. Read, understand, and follow these instructions to ensure safe operation. **DO NOT REMOVE THESE LABELS.**

⚠ WARNINGS

READ ALL INSTRUCTIONS. FAILURE TO FOLLOW THESE WARNINGS AND INSTRUCTIONS MAY RESULT IN SERIOUS BODILY INJURY OR DEATH.

- This hard hat provides LIMITED protection from small objects striking top, front, back, left and right sides of the hard hat.
- DO NOT expose hard hat, EPS insert, suspension, padding and chin strap to open flame.
- ELECTRICAL WARNING: Avoid areas where the chance of electrical shock exists. Non-vented versions meet Class E requirements by providing limited electrical protection. Class C vented models provide no electrical protection. (See WARNING LABELS Section).
- If the hard hat or EPS insert has sustained an impact, dispose of it IMMEDIATELY, even if damage is not visible.
- NEVER alter, puncture, modify or engrave the shell, EPS insert, suspension or chin strap.
- DO NOT use paints, solvents, chemicals, insect repellent, adhesives, gasoline or like substances on this hard hat - doing so can lessen the protection offered against impact and penetration.
- DO NOT use this hard hat as a vehicular or recreational hard hat.
- DO NOT store objects between the suspension and the shell, as the hard hat will not function as intended and can lessen the protection from impact and penetration.
- Exposure to direct sunlight, corrosive environments, and/or extreme temperatures below -40°F (-40°C) or above 120°F (49°C) can lessen the ability of the hard hat to withstand impact and penetration.

MAINTENANCE

HARD HAT CLEANING AND STORAGE

- Clean the hard hat and suspension with mild soap and water only. Rinse and wipe dry. Clean chin strap with damp cloth only. Store in a cool place.
- See SWEATBAND AND TOP COMFORT PAD section of the operating instructions (on other side) for additional maintenance information.

INSPECTION AND REPLACEMENT

Inspect the hard hat, EPS insert, including the suspension, chin strap and shell, before and after each use:

- Check the Hard hat's shell for any cracks, breakage, discoloration, chalky appearance, or any other damage, excessive wear or unusual condition. These conditions may indicate reduced impact or penetration resistance and the Hard hat must be replaced IMMEDIATELY.
- The suspension and chin strap should be checked for cracks, breaks, damaged stitching or any other damage, excessive wear or unusual condition. If any of these conditions exist, they must be replaced IMMEDIATELY.
- Always use genuine Klein Tools replacement parts. This product works as a system, and use of unauthorized suspensions and chin straps may reduce the protection you receive from this hard hat.

USEFUL LIFE

SUSPENSION AND CHIN STRAP: Must be replaced after no more than 12 months of use.

ENTIRE HARD HAT: Entire Hard hat should be replaced after 2 years of use, or no more than 5 years from the date of manufacture, whichever comes first. These are useful service life guidelines. Regular inspection as detailed in the MAINTENANCE section above MUST be performed, and may result in possible earlier replacement.

NOTE: This replacement schedule is a guideline that assumes normal use and storage conditions for the hard hat. If the hard hat is exposed to temperature extremes, persistent sunlight, or chemicals, replacement may be required in a shorter time frame.

FEATURE DETAILS (FIG. C)

- | | |
|---------------------------------------|-----------------------------|
| 5 Universal accessory slots | 13 Washable top comfort pad |
| 6 Klein Tools accessory mounts | 14 Suspension straps |
| 7 Vents with shutter (Class C only) | 15 Reflective stickers |
| 8 Pivot adjustment | 16 Suspension bracket |
| 9 Size adjustment knob | 17 Bracket key |
| 10 Rear neck pad | 18 Bracket key slots |
| 11 Suspension strap anchor slots (x6) | 19 EPS Insert |
| 12 Washable sweatband | 20 Chin Strap |

FITTING (FIG. D)

All hard hats come with suspension pre-installed at factory settings. The suspension can be adjusted to ensure proper and secure fit to your head for maximum protection. Follow the steps below:

1. Turn the size adjustment knob (9) counterclockwise to loosen the fit. Position the rear pad on the back of your head, closer to the neck. Dress any bandana knots or ponytails over the rear neck pad (10).
2. Tighten by turning the size adjustment knob (9) clockwise until the hard hat is comfortable and snug. Move your head up, down and side-to-side gently, like you would normally, and make sure the hard hat stays on. Make sure that the hard hat is not angled forward or backward, but rests level on your head.

SUSPENSION ADJUSTMENT (FIG. E)

If the hard hat does not fit properly at the factory settings, you can further adjust the fit:

1. Place your forefinger under the strap anchor, and your thumb over the anchor slot (11). Push up with forefinger using enough force to release the anchor from the slot. Do this for all anchor slots.
NOTE: DO NOT pull on the suspension straps to free the anchor. This could permanently damage the straps, preventing them from performing as intended.
2. Free the suspension by turning the suspension bracket (16) approximately 90° to free the bracket key (17) from the bracket key slots (18).
3. Determine which slot (18) you want to reattach to. Using the bracket slots deeper in the hard hat will move the sweatband higher on the head and vice versa. Insert the bracket key (17) and turn the bracket (16) approximately 90° to lock into place. Always match the settings on the left and right sides to prevent the suspension from sitting at an angle.
4. Push down each anchor until a click is heard and the anchor cannot be pushed down any further (FIG. F). Do this for all anchors. *NOTE: DO NOT use sharp tools that may damage the anchors, or pull on the straps to secure the anchors.*
5. Verify the hard hat fits properly. Follow the steps in the FITTING section to ensure proper fit. Ensure that accessories you plan to use fit and function properly while maintaining the hard hat's ability to perform its function optimally. Check with a qualified safety expert, if unsure.

NOTE: The suspension strap lengths are fixed and cannot be adjusted. DO NOT attempt to alter.

SUSPENSION REPLACEMENT

If the hard hat does not fit properly at the factory settings, you can further adjust the fit:

1. Place your forefinger under the strap anchor, and your thumb over the anchor slot (11). Push up with forefinger using enough force to release the anchor from the slot. Do this for all anchor slots.
NOTE: DO NOT pull on the suspension straps to free the anchor. This could permanently damage the straps, preventing them from performing as intended.
2. Ensuring that the replacement suspension is in the correct orientation front to back, push down each anchor until a click is heard and the anchor cannot be pushed down any further. Do this for all anchors (FIG. F). *NOTE: DO NOT use sharp tools that may damage the anchors, or pull on the straps to secure the anchors.*
3. Verify the hard hat fits properly. Follow the steps in the FITTING section to ensure proper fit. Ensure that accessories you plan to use fit and function properly while maintaining the hard hat's ability to perform its function optimally. Check with a qualified safety expert, if unsure.

NOTE: The suspension strap lengths are fixed and cannot be adjusted. DO NOT attempt to alter.

CHIN STRAP ADJUSTMENT / REMOVAL (FIG. G1, G2, G3)

The hard hat comes with the chin strap pre-installed.

TO ADJUST CHIN STRAP (20):

1. Close the chin strap, adjust the leather portion of the strap through the clasp loop. Try on the hard hat and readjust until the strap is snug between your chin and neck.
2. Adjust both side "V" brackets up or down for final adjustment. Ensure both sides of the "V" straps are even, (FIG. G1).

TO REMOVE CHIN STRAP (20):

1. Insert a small blunt-nosed tool into the round opening to press the release tab (FIG. G2).
2. Gently pull the strap to remove the tab from the slot. Repeat at each attachment point.

NOTE: Check with your Safety Supervisor prior to removing your chin

SWEATBAND AND TOP COMFORT PAD (FIG. I)

Klein Tools hard hats come with an advanced sweatband and top comfort pad designed to wick away sweat. They are machine washable in a normal wash cycle. DO NOT wash with bleach or with detergents containing bleach. Machine dry on normal or low heat setting only.

The sweatband and top comfort pad can be easily removed and reinstalled on the suspension:

- The top comfort pad is held in place by a single hook-and-loop pad (28).
- The sweatband is held in place by three suspension hooks (27) on the outside and four hook-and-loop pads (28) on the inside. To remove, simply detach all hook-and-loop pads and slide the sweatband off the suspension hooks.

VENTS (C-CLASS ONLY)

Klein Tools Class C hard hats have vents and shutters on both sides. The vents can be adjusted by simply sliding the shutter tabs (7) up or down.

⚠ *The vents and shutters will NOT prevent vapors, liquids, or debris smaller than the vents from entering the hard hat.*

56062 HEADLAMP (FIG. H)

The optional 56062 is a rechargeable headlamp designed specifically for Klein Tools hard hats that have the integrated front and rear accessory mounts. It functions as a spot light or flood light, and has magnet to attach onto magnetic surfaces for use as a work light. Charging cable is included with models that include rechargeable headlamps.

- | | |
|-----------------------|-------------------|
| 21 Release tab | 24 Flood lights |
| 22 On/Off/Mode button | 25 Magnet |
| 23 Spot light | 26 Pivoting mount |

To install the headlamp onto a Klein hard hat, align the pivoting mount (26) with the Klein Tools accessory mount (6) on the hard hat and push down until the headlamp clicks securely into place.

To remove the headlamp, press forward on the Release Tab (21), and lift the headlamp out of the accessory mount.

REFLECTIVE STICKERS (FIG. C)

Klein Tools Type 2 hard hats come with reflective stickers (15) factory-installed. DO NOT remove or reposition these stickers on the hard hat.

⚠ **WARNING:** Klein Tools DOES NOT approve the application of stickers, hot stamps, inks, and foils that have metallic content to this hard hat by end users. Such modifications can alter the performance of the hard hat.

WARRANTY

www.kleintools.com/warranty

ACCESSORIES AND REPLACEMENT PARTS

Klein Tools hard hat accessories and replacement parts are available online or at major distributors:

- **KHH56308:** Rechargeable Wide-Beam Hard Hat Headlamp
- **56049:** Rechargeable Light Array Headlamp (Flood only)
- **56048:** Rechargeable Headlamp / Worklight (Spot/Flood)
- **56063:** Safety Lamp
- **60821:** Hard Hat Turbo Cooling Fan
- **60523:** Lightweight Cooling Fans
- **KHHSPNT2:** Replacement 6-Point Suspension
- **KHHSTRPT2:** Replacement Chin Strap
- **KHHSWTBNDT2:** Sweatband (3-pack)
- **KHHSWTBNDT2BL:** Premium Sweatband (3-pack)
- **KHHTOPPADT2:** Top Comfort Pad (3-pack)
- **KHHTOPPAD2:** Premium Top Comfort Pad (3-pack)