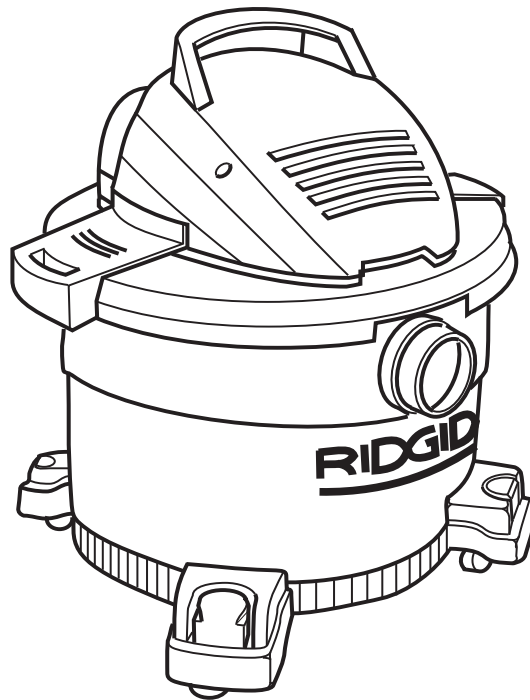


OWNER'S MANUAL
6 U.S. GALLON/22.5 LITER
WET/DRY VAC

6000RV0



FOR QUESTIONS OR INFORMATION CONTACT US AT

▲ WARNING:

To reduce the risk of injury, the user must read and understand the owner's manual before using this product.

Thank you for buying a RIDGID product.

- Español - página 15
- Français - page 29

SAVE THIS MANUAL FOR FUTURE REFERENCE

Part No. SP6936

Printed in Mexico

Table of Contents

| Section | Page | Section | Page |
|---------------------------------------|------|----------------------------------|------|
| Introduction | 4 | Vacuuming Liquids | 8 |
| Unpacking and Checking | | Emptying the Drum | 8 |
| Carton Contents | 4 | Moving the Wet/Dry Vac | 8 |
| Caster/Caster Foot Assembly | 5 | Blowing Feature | 9 |
| Wet/Dry Vac Assembly | 5 | Maintenance | 10 |
| To Store Your Accessories | 6 | Repair Parts | 12 |
| Operation | 7 | Servicing of Double Insulated | |
| Vacuuming Dry Materials | 8 | Wet/Dry Vacs | 12 |
| | | Warranty | 14 |

IMPORTANT SAFETY INSTRUCTIONS

Safety is a combination of using common sense, staying alert, and knowing how your wet/dry vacuum cleaner ("Vac") works.

Safety Signal Words

▲ DANGER: Indicates a hazardous situation which, if not avoided, **will** result in death or serious injury.

▲ WARNING: Indicates a hazardous situation which, if not avoided, **could** result in death or serious injury.

▲ CAUTION: Indicates a hazardous situation which, if not avoided, **could** result in minor or moderate injury.

When using your Vac, always follow basic safety precautions including the following:

▲ WARNING

- To reduce the risk of fire, electric shock, or injury:

- Read and understand this manual and all labels on the Wet/Dry Vac before operating.
- Use only as described in this manual.
- Do not leave Vac running while unattended - you may fail to notice important signs indicating abnormal operation such as loss of suction, debris/liquid exiting exhaust, or abnormal motor noises. Immediately stop using Vac if you notice these signs.
- Do not leave Vac when plugged in. Unplug from outlet when not in use and before servicing.
- Sparks inside the motor can ignite flammable vapors or dust. To reduce the risk of fire or explosion, do not use

near combustible liquids, gases, or dusts, such as gasoline or other fuels, lighter fluid, cleaners, oil-based paints, natural gas, coal dust, magnesium dust, grain dust, aluminum dust, or gun powder.

- Do not vacuum anything that is burning or smoking, such as cigarettes, matches, or hot ashes.
- Do not vacuum drywall dust, cold fireplace ash, or other fine dusts with standard filter. These may pass through the filter and be exhausted back into the air. Use a fine dust filter instead.
- To reduce the risk of inhaling toxic vapors, do not vacuum or use near toxic or hazardous materials.
- To reduce the risk of electric shock, do not expose to rain or allow liquid to enter motor compartment. Store indoors.
- This Wet/Dry Vac is not intended for use by persons (including children) with reduced physical, sensory, or mental capabilities, or lack of experience and knowledge, unless they have been given supervision or instruction concerning use of the appliance by a person responsible for their safety.
- Do not allow to be used as a toy. Close attention is necessary when used by or near children.
- Do not use with a torn filter or without filter installed except when vacuuming liquids as described in this manual. Dry debris ingested by the impeller may damage the motor or be exhausted into the air.

- Turn off Vac before unplugging.
- To reduce the risk of injury from accidental starting, unplug power cord before changing or cleaning filter.
- Do not unplug by pulling on cord. To unplug, grasp the plug, not the cord.
- Do not use with damaged cord, plug or other parts. If your Vac is not working as it should, has missing parts, has been dropped, damaged, left outdoors, or dropped into water, call customer service.
- Do not pull or carry by cord, use cord as handle, close a door on cord, or pull cord around sharp edges or corners. Do not run Vac over cord. Keep cord away from heated surfaces.
- Do not handle plug, switch, or the Vac with wet hands.
- Use only extension cords that are rated for outdoor use. Extension cords in poor condition or too small in wire size can pose fire and shock hazards. To reduce the risk of these hazards, be sure the cord is in good condition and that liquid does not contact the connection. Do not use an extension cord with conductors smaller than 16 gauge (AWG) in size. To reduce power loss, use a 14 gauge extension cord if 25 to 50 ft. long and 12 gauge for 50 ft. or longer.
- This Wet/Dry Vac is double-insulated, eliminating the need for a separate grounding system. Use only identical replacement parts. Read the instructions for Servicing Double-Insulated Wet/Dry Vacs before servicing.
- Do not put any object into ventilation openings. Do not vacuum with any ventilation openings blocked; keep free of dust, lint, hair or anything that may reduce air flow.
- Keep hair, loose clothing, fingers, and all parts of body away from openings and moving parts.
- To reduce the risk of falls, use extra care when cleaning on stairs.
- To reduce the risk of back injury or falls, do not lift a Vac that is heavy with liquid or debris. Partially empty by scooping debris or draining liquid.
- To reduce the risk of personal injury or damage to Vac, use only Ridgid recommended accessories.
- When using as a blower:
 - Direct air discharge only at work area.
 - Do not direct air at bystanders.
 - Keep children away when blowing.
 - Do not use blower for any job except blowing dirt and debris.
 - Do not use as a sprayer.
- To reduce the risk of eye injury, wear safety eyewear. The operation of any utility Vac or blower can result in foreign objects being blown into the eyes, which can result in severe eye

▲ CAUTION:

- To reduce the risk of hearing damage, wear ear protectors when using for extended hours or in a noisy area.
- For dusty operations, wear dust mask.
- Static shocks are common when the relative humidity of the air is low. Vacuuming fine debris with your Vac can deposit static charge on the hose or Vac. To reduce the frequency of static shocks in your home or when using this Vac, add moisture to the air with a humidifier.

Observe the following warnings that appear on the motor housing of your Vac:

 **DOUBLE INSULATED
GROUNDING NOT REQUIRED.
WHEN SERVICING USE ONLY
IDENTICAL REPLACEMENT PARTS.**

▲ WARNING: For your own safety, read and understand owner's manual. Do not run unattended. Do not pick up hot ashes, coals, toxic, flammable or other hazardous materials. Do not use around explosive liquids or vapors.

▲ WARNING: To reduce the risk of electric shock - do not expose to rain - store indoors.

SAVE THIS MANUAL

Introduction

This Wet/Dry Vac is intended for household use. It may be used for vacuuming wet or dry media and may be used as a blower.

Read this owner's manual to familiarize yourself with the product features and to understand the specific usage of your new Vac.

Unpacking and Checking Carton Contents

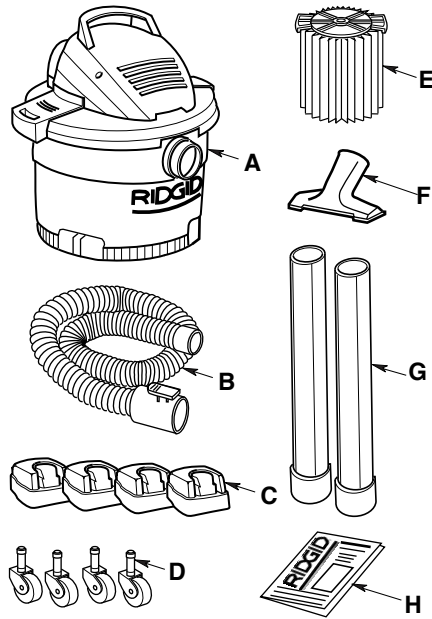
Remove contents of carton. Check each item against the Carton Contents List. Call 1-800-4-RIDGID (1-800-474-3443) from the US and Canada, 01-800-701-9811 from Mexico,

parts are damaged or missing.

Carton Contents List

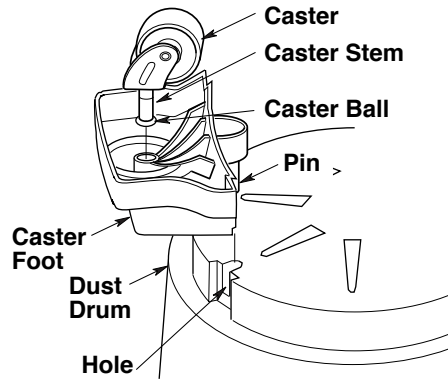
| Key | Description | Qty |
|-----|-----------------------------|-----|
| A | Wet/Dry Vac | 1 |
| B | Pro-Hose | 1 |
| C | Caster Foot w/Storage | 4 |
| D | Caster Feet | 4 |
| E* | Qwik Lock™ Filter | 1 |
| F | Utility Nozzle | 1 |
| G | Extension Wands | 2 |
| H | Owner's Manual | 1 |

* The filter comes preassembled to the power head.



Caster/Caster Foot Assembly

1. Turn the dust drum upside down on the floor.
2. Insert the caster feet into the bottom of drum, as shown (4 places).
3. Push on the caster foot until the foot is flush with bottom of the dust drum.
4. Insert the caster stem into the socket of the caster foot, as shown (4 places).
5. Push on the caster until the ball on the caster stem is inserted all the way into the socket. You will hear the ball snap into the socket and the caster will swivel easily when positioning is correct.
6. Turn the drum upright.

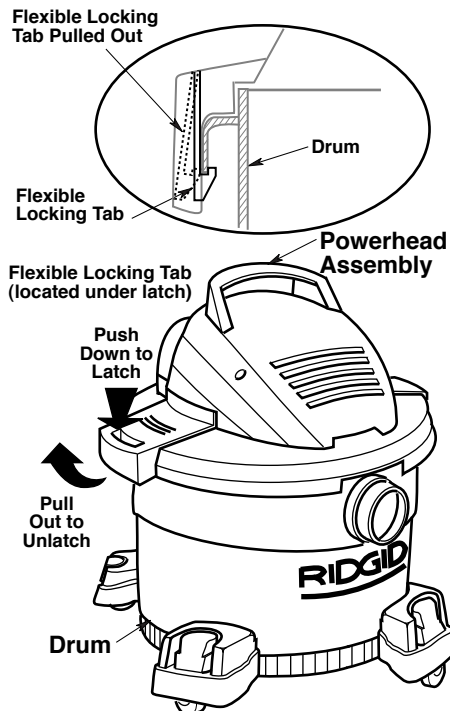


Wet/Dry Vac Assembly

1. Line up front of powerhead assembly with Vacuum port located on the front of the drum, as shown.

NOTE: Powerhead assembly must be aligned with drum for proper attachment.

2. Place powerhead assembly on top of drum.
3. Be sure powerhead assembly completely covers the top of the drum so leakage does not occur.
4. Push down on top of handles to cause flexible locking tabs to hook onto the drum lip.
5. Make sure that the locking tabs are snapped into place as shown, to prevent the lid from coming off.
6. To remove the powerhead assembly, reverse above directions.

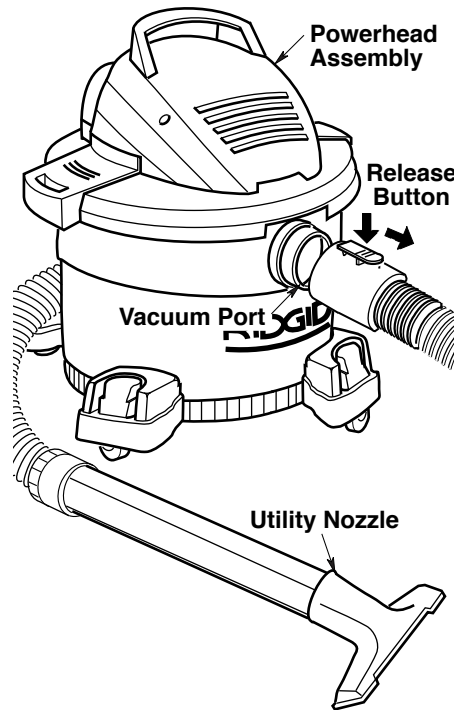


Wet/Dry Vac Assembly (Continued)

Insert Hose

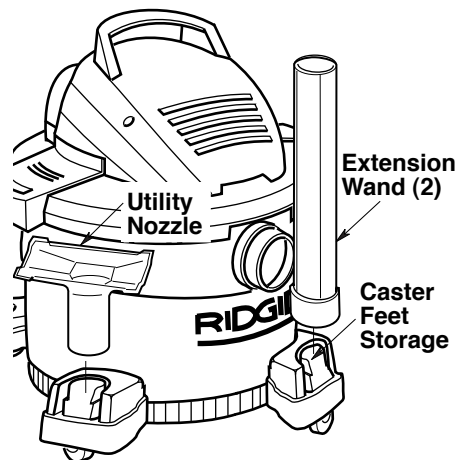
Insert the larger end of the hose into the vacuum port.

Place the utility nozzle securely on the opposite end of the hose and the Vac is ready for use.



To Store Your Accessories

1. Slide extension wands and accessories onto posts of the caster feet for storage.
2. To remove wands and accessories, lightly rotate and pull upward.



Operation

▲ WARNING: To reduce the risk of fire, explosion, or damage to Vac:

- Do not leave Vac running while unattended - you may fail to notice important signs indicating abnormal operation such as loss of suction, debris/liquid exiting the exhaust, or abnormal motor noises. Immediately stop using Vac if you notice these signs.
- Do not leave Vac plugged in when not in use.
- Do not continue running when float has cut off suction.
- Sparks inside the motor can ignite airborne flammables. Do not operate Vac near flammable liquids or in areas with flammable gases, vapors, or explosive/airborne dust. Flammable liquids, gases, and vapors include: lighter fluid, solvent-type cleaners, oil-based paints, gasoline, alcohol, and aerosol sprays. Explosive dusts include: coal, magnesium, aluminum, grain, and gun powder.
- Do not vacuum up explosive dusts, flammable liquids, or hot ashes.

▲ WARNING: To reduce the risk of electric shock or injury:

- Do not expose to rain or allow liquid to enter motor compartment. Store indoors.
- Do not handle plug, switch, or Vac with wet hands.
- Unplug Vac before servicing. If your Vac is not working as it should, has missing parts, has been dropped, damaged, left outdoors, or dropped into water, return it to an independent service center or call customer service.
- When using an extension cord, use only outdoor-rated cords that are in good condition. Do not allow the connection to come into contact with liquid.

To reduce the risk of electric shock, this appliance has a polarized plug (one blade is wider than the other). This plug will fit in a polarized outlet only one way. If the plug does not fit fully in the outlet, reverse the plug. If it still does not fit, contact a qualified electrician to install the proper outlet. Do not change the plug in any way.

After you plug the power cord into the outlet, turn the unit on by pushing the switch from position "O" to position "I". The symbols used on the switch actuator are international "On & Off" symbols.

○ = OFF | = ON

Familiarize yourself with the accessories included with the Vac. Each accessory may be used in various ways for vacuuming and blowing debris. Here is a list of the accessories and their uses.

Utility Nozzle - General purpose nozzle for most vacuuming applications.

Extension Wands - These wands can be connected together and provide additional length.

Pro-Hose - Provides transfer of vacuum or blowing capability to work site. Provides the means of attaching extension wands and nozzles.

Operation (Continued)

Vacuumping Dry Materials

1. The filter must always be in correct position at all times to avoid leaks and possible damage to Vac.
2. When using your Vac to pick up fine dust, it will be necessary for you to empty the drum and clean the filter at more frequent intervals to maintain peak Vac performance.

NOTE: A dry filter is necessary to pick up dry material. If you use your Vac to pick up material when the filter is wet, the filter will clog quickly and be very difficult to clean.

3. If your filter is wet but you need to use the Vac to pick up dry material, you must first allow the filter to dry.

Vacuumping Liquids

1. When picking up small amounts of liquid the filter may be left in place.
2. When picking up large amounts of liquid it is recommended that the filter be removed. If the filter is not removed, it will become saturated and misting may appear in the exhaust.
3. When the liquid in the drum reaches a predetermined level, the float mechanism will rise automatically to cut off air-flow. You will know that the float has risen because suction stops and the motor noise will become higher in pitch, due to increased motor speed. When this happens, turn off the Vac, unplug the power cord, and empty the drum.
4. After using the Vac to pick up liquids, the filter must be dried to avoid possible mildew and damage to the filter.

▲ WARNING: Do not operate without filter cage and float, as they prevent liquid from entering the impeller and damaging the motor.

Emptying the Drum

1. Remove the lid. Pull the flexible latches outward on each side of the lid to release from the drum.
2. While holding the latches out, lift the top assembly up and away from the drum.
3. Lay top assembly upside down on a clean area while emptying drum or changing filter.
4. Dump the drum contents into the proper waste disposal container.

Moving the Wet/Dry Vac

Should it become necessary to pick the Vac up to move it, DO NOT pick the Vac up by the lid handles unless drum is empty. To avoid dropping the Vac, due to latches releasing or possible part breakage, pick the Vac up by the dust drum.

Operation (Continued)

Blowing Feature

Your Wet/Dry Vac features "Full Blowing". It can blow sawdust and other debris. Follow the steps below to use your Vac as a blower.

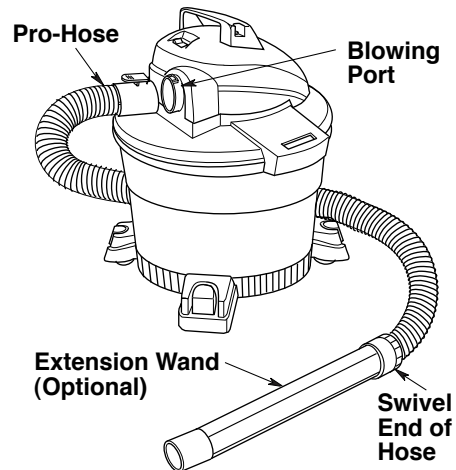
▲ WARNING: Always wear safety eyewear complying with ANSI Z87.1 (or in Canada, CSA Z94.3) before using as a blower.

▲ WARNING: To reduce the risk of injury to bystanders, keep them clear of blowing debris.

▲ CAUTION: Wear a dust mask if blowing creates dust which might be inhaled.

▲ CAUTION: To reduce the risk of hearing damage, wear ear protectors when using the Vac/Blower for extended time or in a noisy area.

1. Locate blowing port of your Wet/Dry Vac.
2. Insert the larger end of hose into the blowing port of the Vac.
3. (Optional) Attach extension wand to swivel end of hose.
4. Turn Vac on and you are ready to use your Vac as a blower.



Maintenance

Filter

▲ WARNING: To reduce the risk of injury from accidental starting, unplug power cord before changing or cleaning filter.

NOTE: The filter is made of high quality paper designed to stop small particles of dust. The filter can be used for dry pick up or small amounts of liquid. Handle the filter carefully when removing or installing it. Creases in the filter pleats may occur from installation but will not affect the performance of the filter.

Filter Cleaning

Your filter should be cleaned often to maintain peak Vac performance.

Allow the filter to dry before storing or picking up dry debris.

IMPORTANT: After cleaning, check the filter for tears or small holes. Do not use a filter with holes or tears in it. Even a small hole can allow dust to come out of your Vac. Replace it immediately.

Filter Removal and Installation

Filter Removal:

1. Hold the filter tabs of the Qwik Lock™ filter in each hand.
2. With one thumb on the Qwik Lock™ stud, which protrudes through the integrated filter plate, lift up on the filter tabs while pushing down on the stud.
3. This action will cause the filter to release from the filter cage. Slide filter off cage.

Filter Installation:

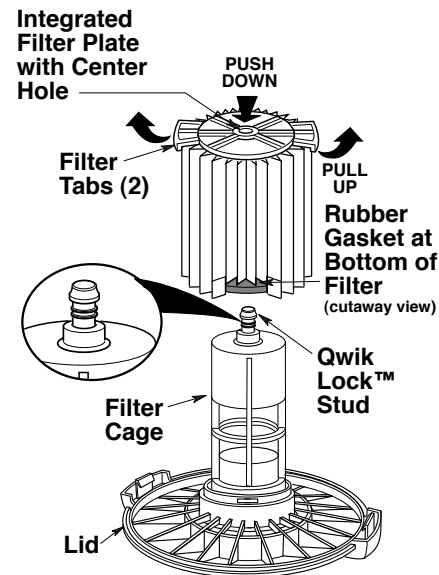
1. Carefully slide the Qwik Lock™ filter over the filter cage and press down on the outside edge of the filter until the rubber gasket on the bottom of the filter seats securely around the base of the filter cage and against the lid.

▲ WARNING: Do not operate without filter cage and float, as they prevent liquid from entering the impeller and damaging the motor.

2. Align the small center hole in the top of the filter over the Qwik Lock™ stud on the filter cage. Press firmly on top of the filter near the stud to allow the filter to snap over the ball on the end of the stud. The filter is now attached.

NOTE: Failure to properly seat the bottom gasket could result in debris bypassing the filter.

IMPORTANT: To avoid damage to the blower wheel and motor, always reinstall the filter before using the Vac for dry material pick-up.



Maintenance (Continued)

Cleaning A Dry Filter

1. Some removal of dry debris can be accomplished without removing the filter from the Vac. Slap your hand on top of the lid while the Vac is turned off.
2. For best cleaning results due to accumulated dust, clean the filter in an open area. Cleaning **SHOULD** be done outdoors and not in the living quarters.
3. After filter removal from Vac, remove the dry debris by gently tapping filter against the inside wall of your dust drum. The debris will loosen and fall.
4. For thorough cleaning of dry filter with fine dust (no debris), run water through it as described under "Cleaning A Wet Filter"

Cleaning A Wet Filter

After filter is removed, run water through the filter from a hose or spigot. Take care that water pressure from the hose is not strong enough to damage filter.

Cleaning and Disinfecting the Wet/Dry Vac

To keep your Wet/Dry Vac looking its best, clean the outside with a cloth dampened with warm water and mild soap.

To clean the drum:

1. Dump debris out.
2. Wash drum thoroughly with warm water and mild soap.
3. Wipe out with dry cloth.

Before prolonged storage or as needed (i.e.; waste water pick up) the drum should be disinfected.

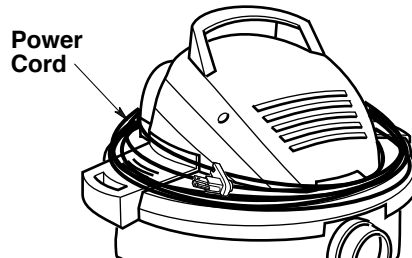
To disinfect the drum:

1. Pour 1 gallon of water and 1 teaspoon chlorine bleach into the drum.
2. Let solution stand for 20 minutes, carefully swishing every few minutes, making sure to wet all inside surfaces of the drum.
3. Empty drum after 20 minutes. Rinse with water until bleach smell is gone. Allow drum to dry completely before sealing the motor on the drum.

Storage

Before storing your Vac, the dust drum should be emptied and cleaned. The cord should be wrapped around the unit. Accessories should be kept in the same area as the Vac so they can be readily available. The Vac should be stored indoors.

If the power cord is damaged, it must be replaced by the manufacturer or their service agent or by similarly qualified personnel to reduce the risk of accident.



Casters

If your casters are noisy, you may put a drop of oil on the roller shaft to make them quieter.

⚠ WARNING: to assure product SAFETY and RELIABILITY, any other maintenance, repairs or adjustments should be performed by Authorized service centers, always using RIDGID replacement parts.


Repair Parts

6 U.S. Gallon / 22.5 Liter Wet/Dry Vac Model Number 6000RV0

Always order by Part Number - Not by Key Number

▲ WARNING

SERVICING OF DOUBLE-INSULATED WET/DRY VAC

In a double-insulated Wet/Dry Vac, two systems of insulation are provided instead of grounding. No grounding means is provided on a double-insulated appliance, nor should a means for grounding be added. Servicing a double-insulated Wet/Dry Vac requires extreme care and knowledge of the system, and should be done only by qualified service personnel. Replacement parts for a double-insulated Wet/Dry Vac must be identical to the parts they replace. Your double-insulated Wet/Dry Vac is marked with the words "DOUBLE INSULATED" and the symbol  (square within a square) may also be marked on the appliance.

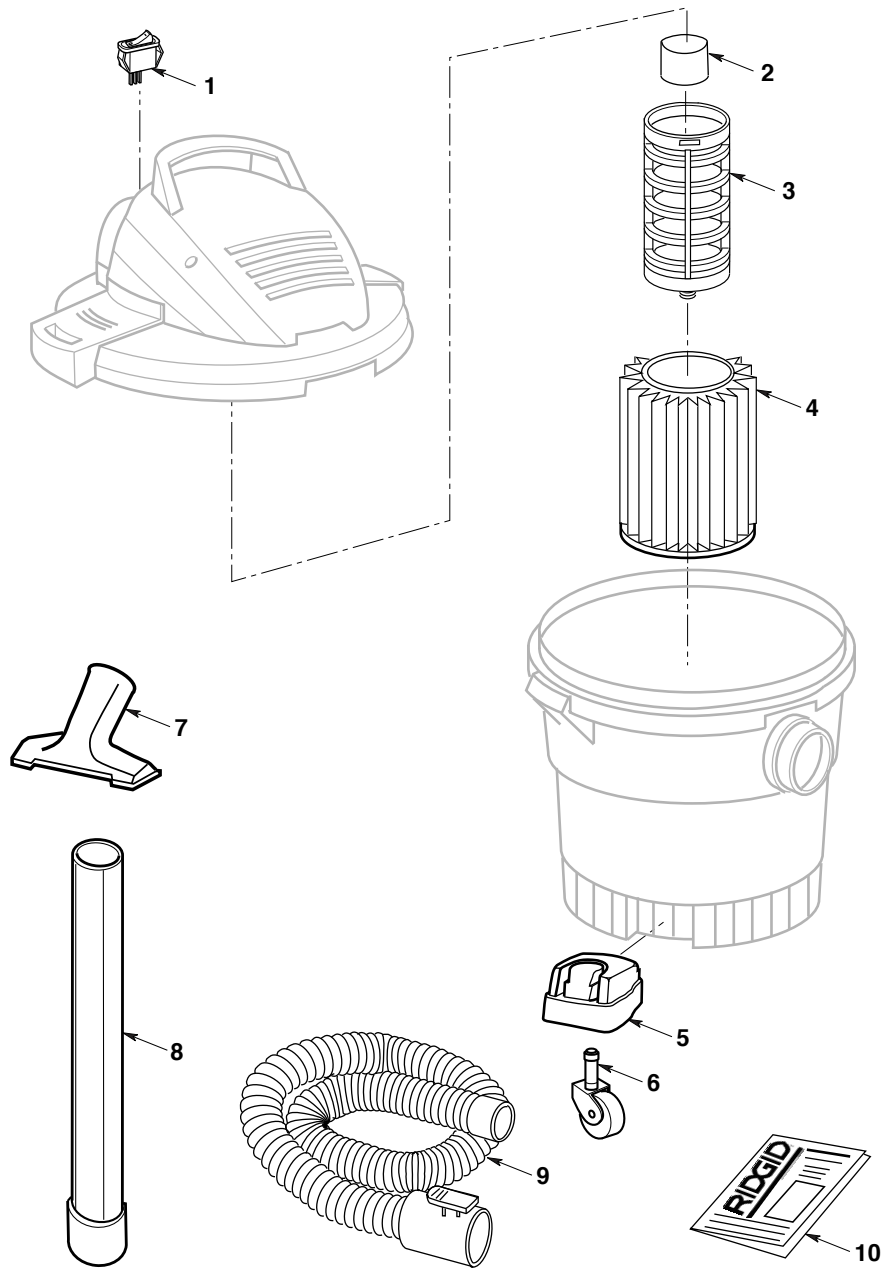
To reduce the risk of injury from electrical shock, unplug power cord before servicing the electrical parts of the Wet/Dry Vac.

| Key No. | 6000RV0 Part No. | Description |
|---------|------------------|-----------------------|
| 1 | 832086 | Rocker Switch |
| 2 | 509488 | Float |
| 3 | 823201-3 | Filter Cage |
| 4 | VF4000 | † Qwik Lock™ Filter |
| 5 | 832084 | Caster Foot w/Storage |
| 6 | 331605 | Caster |
| 7 | VT1709 | † Utility Nozzle |
| 8 | VT1708 | Extension Wand |
| 9 | 831337-10 | Pro-Hose |
| 10 | SP6936 | Owner's Manual |

† These replacement parts are available where you purchased your Vac.

Repair Parts (Continued)

6 U.S. Gallon / 22.5 Liter Wet/Dry Vac
Model Number 6000RV0





What is covered

RIDGID® tools are warranted to be free of defects in workmanship and material.

How long coverage lasts

This warranty lasts for the lifetime of the RIDGID® tool. Warranty coverage ends when the product becomes unusable for reasons other than defects in workmanship or material.

How can you get service

To obtain the benefit of this warranty, deliver via prepaid transportation the complete product to RIDGE TOOL COMPANY, Elyria, Ohio, or any authorized RIDGID® INDEPENDENT SERVICE CENTER. Pipe wrenches and other hand tools should be returned to the place of purchase.

What we will do to correct problems

Warranted products will be repaired or replaced, at RIDGE TOOL's option, and returned at no charge; or, if after three attempts to repair or replace during the warranty period the product is still defective, you can elect to receive a full refund of your purchase price.

What is not covered

Failures due to misuse, abuse or normal wear and tear are not covered by this warranty. RIDGE TOOL shall not be responsible for any incidental or consequential damages.

How local law relates to the warranty

Some states do not allow the exclusion or limitation of incidental or consequential damages, so the above limitation or exclusion may not apply to you. This warranty gives you specific rights, and you may also have other rights, which vary, from state to state, province to province, or country to country.

No other express warranty applies

This FULL LIFETIME WARRANTY is the sole and exclusive warranty for RIDGID® products. No employee, agent, dealer, or other person is authorized to alter this warranty or make any other warranty on behalf of the RIDGE TOOL COMPANY.

Stock No. 6000RV
Model No. 6000RV0

Serial Number _____

Model and serial numbers may be found next to the blowing port. You should record both model and serial numbers in a safe place for future use.

FOR QUESTIONS OR INFORMATION CONTACT US AT

Please have your Model Number and Serial Number on hand when calling.



EMERSON

Commercial & Residential Solutions

© 2015 Emerson

Part No. SP6936

Form No. SP6936-1

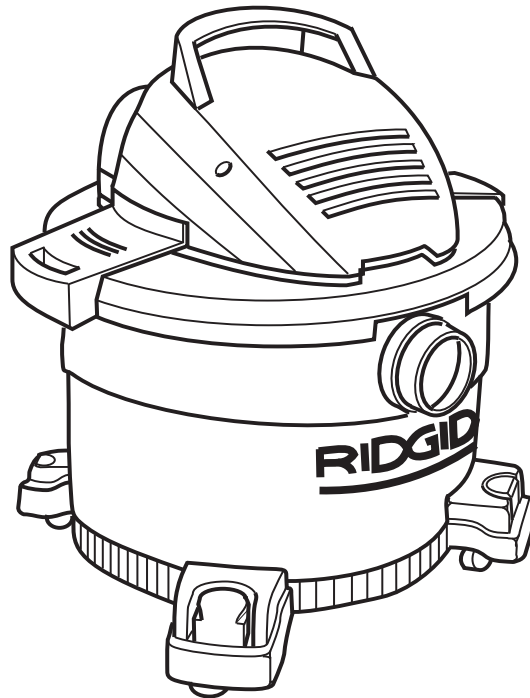
Printed in Mexico 01/15

RIDGID[®]

MANUAL DEL USUARIO

ASPIRADORA PARA MOJADO/SECO DE
6 GALONES EE.UU./22.5 LITROS

6000RV0



¿PREGUNTAS O COMENTARIOS? COMUNÍQUESE CON NOSOTROS EN

⚠ ADVERTENCIA:

Para reducir el riesgo de lesiones, el usuario debe leer y entender el manual del operador antes de utilizar este producto.

Gracias por comprar un producto RIDGID.

• Français - page 29

GUARDE ESTE MANUAL PARA REFERENCIA FUTURA

No. de pieza SP6936

Impreso en México

Índice

| Sección | Página | Sección | Página |
|--|--------|--|--------|
| Introducción | 18 | Vaciado del tambor | 22 |
| Desempaquetado y comprobación del contenido de la caja de cartón | 18 | Traslado de la aspiradora para mojado/seco | 22 |
| Ensamblaje de las ruedecillas/patas para ruedecilla | 19 | Dispositivo de soplado | 23 |
| Ensamblaje de la aspiradora para mojado/seco | 19 | Mantenimiento | 24 |
| Para guardar los accesorios | 20 | Piezas de repuesto | 26 |
| Funcionamiento | 21 | Servicio de ajustes y reparaciones de la aspiradora para mojado/seco con aislamiento doble | 26 |
| Recogida de materiales secos con la aspiradora | 22 | Garantía | 28 |
| Recogida de líquidos con la aspiradora | 22 | | |

INSTRUCCIONES DE SEGURIDAD IMPORTANTES

La seguridad es una combinación de sentido común, permanecer alerta y saber cómo funciona la aspiradora para mojado/seco ("la aspiradora").

Palabras de señal de seguridad

▲ PELIGRO: indica una situación peligrosa que, si no se evita, **causará** la muerte o lesiones graves.

▲ ADVERTENCIA: indica una situación peligrosa que, si no se evita, **podría causar** la muerte o lesiones graves.

▲ PRECAUCIÓN: indica una situación peligrosa que, si no se evita, **podría causar** lesiones leves o moderadas o daños materiales.

Cuando utilice la aspiradora, siga siempre las precauciones básicas de seguridad, incluyendo las siguientes:

▲ ADVERTENCIA

Para reducir el riesgo de incendio, sacudidas eléctricas o lesiones:

- Lea y entienda este manual del usuario y todas las etiquetas que están colocadas en la aspiradora para mojado/seco antes de utilizarla.
- Utilice la aspiradora únicamente de la manera que se describe en este manual.
- No deje la aspiradora en marcha mientras esté desatendida. Usted podría no notar señales importantes que indiquen un funcionamiento anormal, tal como pérdida de succión, residuos o líquido que salen por el escape o ruidos anormales del motor. Deje de usar la aspiradora inmediatamente si observa estas señales.
- No abandone la aspiradora cuando esté enchufada. Desenchúfela del tomacorriente cuando no la esté utilizando y antes de realizar servicio de revisión.
- Las chispas que se producen en el interior del motor pueden incendiar los vapores inflamables o el polvo. Para reducir el riesgo de incendio o explosión: No use la aspiradora cerca de líquidos o gases inflamables o combustibles, o polvos explosivos como

gasolina u otros combustibles, líquido encendedor, limpiadores, pinturas a base de aceite, gas natural, polvo de carbón, polvo de magnesio, polvo de aluminio, polvo de granos de cereal o pólvora.

- No recoja con la aspiradora nada que esté ardiendo o humeando, como cigarrillos, fósforos o cenizas calientes.
- No recoja con la aspiradora polvo de panel de yeso ni hollín frío o ceniza fría de chimenea con un filtro estándar. Estos materiales pueden pasar por el filtro y ser expulsados de vuelta al aire. Utilice un filtro para polvo fino en lugar de un filtro estándar.
- Para reducir el riesgo de que se produzcan peligros para la salud causados por vapores o polvo, no recoja con la aspiradora materiales tóxicos.
- Para reducir el riesgo de descargas eléctricas, no exponga la aspiradora a la lluvia ni deje que entren líquidos en el compartimiento del motor. Guarde la aspiradora en un lugar interior.
- Esta aspiradora mojado/seco no se destina para utilizarse por personas (incluyendo niños) cuyas capacidades físicas, sensoriales o mentales estén reducidas, o carezcan de experiencia o conocimiento, a menos que dichas personas reciban una supervisión o capacitación para el funcionamiento del aparato por una persona responsable de su seguridad.
- No permita que la aspiradora se utilice como un juguete. Se necesita prestar máxima atención cuando sea utilizada por niños o cerca de éstos.
- No use la aspiradora con un filtro desgarrado o sin tener el filtro instalado, excepto cuando recoja con ella líquidos de la manera que se describe en este manual. Los residuos secos absorbidos por el impulsor podrían dañar el motor o ser expulsados de vuelta al aire.
- Apague la aspiradora antes de desenchufarla.
- Para reducir el riesgo de lesiones debidas a un arranque accidental, desenchufe el cordón de energía antes de cambiar o limpiar el filtro.
- No desenchufe la aspiradora tirando del cordón. Para desenchufarla, agarre el enchufe y no el cordón.

- No use la aspiradora con el cordón dañado, el enchufe dañado u otras piezas dañadas. Si la aspiradora no funciona como debe, le faltan piezas, se ha caído, ha sido dañada, se ha dejado a la intemperie o se ha caído al agua, llame a servicio al cliente.
- No tire de la aspiradora usando el cordón ni la lleve por el cordón, ni use el cordón como asa, ni cierre una puerta sobre el cordón, ni tire del cordón alrededor de bordes o esquinas afilados. No pase la aspiradora en marcha sobre el cordón. Mantenga el cordón alejado de las superficies calientes.
- No maneje el enchufe, el interruptor o la aspiradora con las manos mojadas.
- Utilice únicamente cordones de extensión que tengan capacidad nominal para uso a la intemperie. Los cordones de extensión que estén en malas condiciones o tengan un tamaño de alambre demasiado pequeño pueden crear peligros de incendio y descargas eléctricas. Para reducir el riesgo de estos peligros, asegúrese de que el cordón esté en buenas condiciones y que el líquido no entre en contacto con la conexión. No utilice un cordón de extensión que tenga conductores con un diámetro menor al calibre 16 (AWG). Para reducir la pérdida de potencia, utilice un cordón de extensión de calibre 14 si la longitud es de 25 a 50 pies, y de calibre 12 si la longitud es de 50 pies o más.
- Esta aspiradora tiene aislamiento doble, lo cual elimina la necesidad de un sistema independiente de conexión a tierra. Utilice únicamente piezas de repuesto idénticas. Lea las instrucciones de servicio de revisión de las aspiradoras para mojado/seco con aislamiento doble.
- No ponga ningún objeto en las aberturas de ventilación. No recoja nada con la aspiradora cuando cualquiera de las aberturas de ventilación esté bloqueada; mantenga dichas aberturas libres de polvo, pelusa, pelo o cualquier cosa que pueda reducir el flujo de aire.
- Mantenga el pelo, la ropa holgada, los dedos y todas las partes del cuerpo alejados de las aberturas y de las piezas móviles.
- Para reducir el riesgo de caídas, tenga cuidado adicional al limpiar en escaleras.
- Para reducir el riesgo de lesiones de espalda o caídas, no levante una aspiradora que pese mucho debido a que contiene líquido o residuos. Saque parte del contenido de la aspiradora o drénela parcialmente.
- Para reducir el riesgo de lesiones corporales o daños a la aspiradora, utilice únicamente accesorios recomendados por Ridgid.
- Cuando utilice la aspiradora como soplador:
 - Dirija la descarga de aire solamente hacia el área de trabajo.
 - No dirija el aire hacia las personas que estén presentes.
 - Mantenga alejados a los niños durante la operación de soplado.
 - No utilice el soplador para trabajos que no sean soplar suciedad y residuos.
 - No use la aspiradora como rociador.
- Para reducir el riesgo de lesiones en los ojos, use protección ocular de seguridad. La utilización de cualquier aspiradora utilitaria o soplador utilitario puede hacer que se soplen objetos extraños hacia los ojos, lo cual puede causar daños graves en los ojos.

⚠ PRECAUCIÓN:

- Para reducir el riesgo de daños a la audición, use protectores de oídos cuando utilice la aspiradora durante muchas horas seguidas o cuando la emplee en un área ruidosa.
- Para operaciones que generan polvo, use una máscara antipolvo.
- Las descargas de estática son comunes cuando la humedad relativa del aire es baja. Si recoge residuos finos con la aspiradora, se puede depositar carga estática en la manguera o en la aspiradora. El mejor remedio para reducir la frecuencia de las descargas de estática en su casa o cuando use esta aspiradora es añadir humedad al aire con un humidificador.

Siga las siguientes advertencias que aparecen en la caja del motor de la aspiradora.

ISLAMIENTO DOBLE. NO SE REQUIERE CONEXION A TIERRA.
CUANDO HAGA SERVICIO DE REVISIÓN DE LA ASPIRADORA, UTILICE ÚNICAMENTE PIEZAS DE REPUESTO IDÉNTICAS.

⚠ ADVERTENCIA: Para su propia seguridad, lea y entienda el manual del operador. No tenga en marcha la aspiradora desatendida. No recoja cenizas calientes, carbón caliente, materiales tóxicos ni inflamables ni otros materiales peligrosos. No use la aspiradora alrededor de líquidos o vapores explosivos.

⚠ ADVERTENCIA: Para reducir el riesgo de sacudidas eléctricas, no exponga la aspiradora a la lluvia y almacénala en interiores.

GUARDE ESTE MANUAL

Introducción

Esta aspiradora para mojado/seco está diseñada solamente para uso doméstico. Se puede utilizar para recoger materiales mojados o secos y se puede usar como soplador.

Lea este manual del usuario para familiarizarse con las características del producto y para entender la utilización específica de su nueva aspiradora.

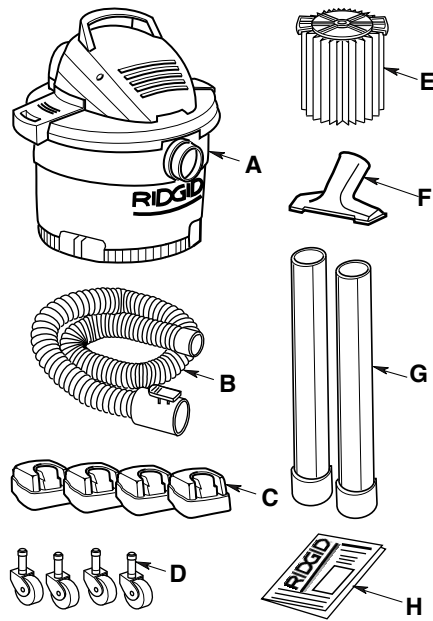
Desempaquetado y comprobación del contenido de la caja de cartón

Saque todo el contenido de la caja de cartón. Asegúrese de que no falte ningún artículo

Lista del contenido de la caja de cartón

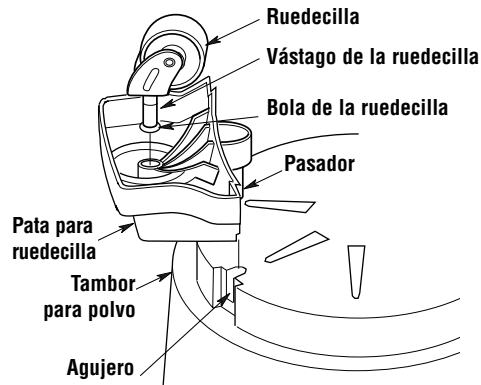
| Clave | Descripción | Cant. |
|-------|--|-------|
| A | Aspiradora para mojado/seco | 1 |
| B | Manguera Pro-Hose | 1 |
| C | Pata para ruedecilla con área para guardar | 4 |
| D | Patas para ruedecillas | 4 |
| E* | Filtro Qwik Lock™ | 1 |
| F | Boquilla utilitaria | 1 |
| G | Tubos extensores | 2 |
| H | Manual del usuario | 1 |

* El filtro viene preensamblado en el cabezal del motor.



Ensamblaje de las ruedecillas/patas para ruedecilla —

1. Ponga el tambor para polvo en posición invertida sobre el piso.
2. Introduzca las patas para ruedecilla en la parte inferior del tambor, tal como se muestra (4 lugares).
3. Ejerza presión sobre la pata para ruedecilla hasta que la pata esté al ras con la parte inferior del tambor para polvo.
4. Introduzca el vástago de la ruedecilla en el receptáculo de la pata para ruedecilla, tal como se muestra (4 lugares).
5. Ejerza presión sobre la ruedecilla hasta que la bola del vástago de la ruedecilla se introduzca del todo en el receptáculo. Se podrá oír como la bola encaja en el receptáculo con un chasquido y la ruedecilla oscilará fácilmente cuando el posicionamiento sea correcto.
6. Ponga el tambor en posición vertical.

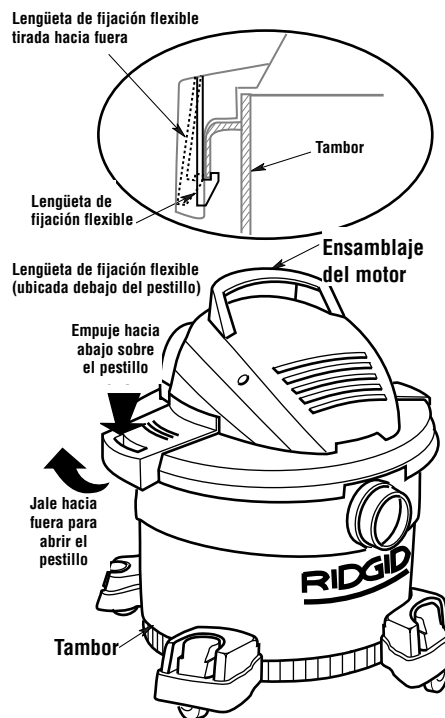


Ensamblaje de la aspiradora para mojado/seco —

1. Alinee la parte delantera del cabezal del motor con el orificio de aspiración ubicado en la parte delantera del tambor, de la manera que se muestra en la ilustración.

NOTA: El ensamblaje del cabezal del motor debe estar alineado con el tambor para realizar una instalación correcta.

2. Coloque el ensamblaje del cabezal del motor sobre el tambor.
3. Asegúrese de que el ensamblaje del cabezal del motor cubra completamente la parte de arriba del tambor para que no ocurran fugas.
4. Empuje hacia abajo sobre la parte de arriba de los mangos para hacer que las lengüetas de fijación flexibles se enganchen en el reborde del tambor.
5. Asegúrese de que las lengüetas de fijación estén acopladas a presión en su sitio, de la manera que se muestra en la ilustración, para evitar que la tapa se desprenda.
6. Para retirar el ensamblaje del cabezal del motor, invierta las instrucciones que anteceden.

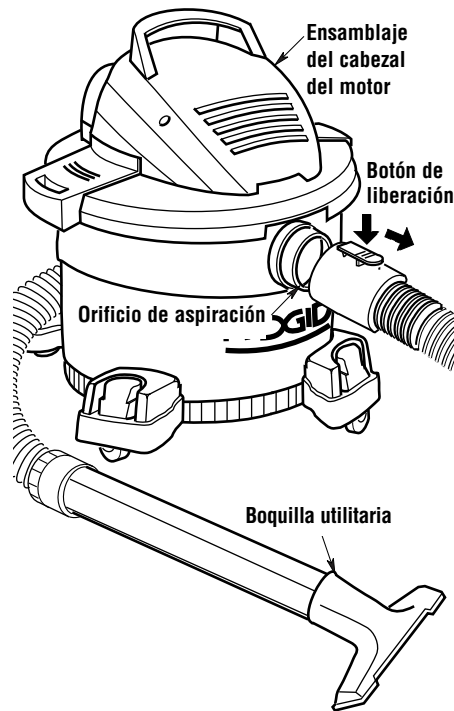


Ensamblaje de la aspiradora para mojado/seco (continuación)

Introduzca la manguera

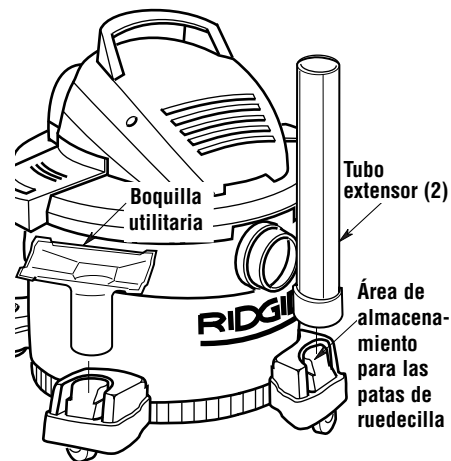
Inserte el extremo más grande de la manguera en el orificio de aspiración.

Coloque la boquilla utilitaria de manera segura en el extremo opuesto de la manguera y la aspiradora estará lista para utilizarse.



Para guardar los accesorios

1. Deslice los tubos extensores y los accesorios sobre los postes de las ruedecillas para almacenarlos.
2. Para quitar los tubos y los accesorios, gírelos ligeramente y tire de ellos hacia arriba.



Funcionamiento

▲ ADVERTENCIA: Para reducir el riesgo de incendio, explosión o daños a la aspiradora:

- No deje la aspiradora en marcha mientras esté desatendida. Usted podría no notar señales importantes que indiquen un funcionamiento anormal, tal como pérdida de succión, residuos o líquido que salen por el escape o ruidos anormales del motor. Deje de usar la aspiradora inmediatamente si observa estas señales.
- No deje la aspiradora enchufada cuando no se esté utilizando.
- No continúe usando la aspiradora cuando el flotador haya cortado la succión.
- Las chispas generadas dentro del motor pueden incendiar los materiales inflamables suspendidos en el aire. No utilice la aspiradora cerca de líquidos inflamables ni en áreas con gases o vapores inflamables o polvo explosivo/suspendido en el aire. Los líquidos inflamables, gases inflamables y los vapores inflamables incluyen: líquido encendedor, limpiadores tipo solvente, pinturas a base de aceite, gasolina, alcohol y rociadores tipo aerosol. Los polvos explosivos incluyen: carbón, magnesio, aluminio, grano de cereal y pólvora.
- No recoja con la aspiradora polvos explosivos, líquidos inflamables ni cenizas calientes.

▲ ADVERTENCIA: Para reducir el riesgo de descargas eléctricas o lesiones:

- No exponga la aspiradora a la lluvia ni deje que entre líquido en el compartimiento del motor. Almacene la aspiradora en un lugar interior.
- No maneje el enchufe, el interruptor o la aspiradora con las manos mojadas.
- Desenchufe la aspiradora antes de hacerle servicio de ajustes y reparaciones. Si la aspiradora no está funcionando como debería, le faltan piezas, se ha caído, está dañada, se ha dejado a la intemperie o se ha caído al agua, devuélvala a un centro de servicio independiente o llame a servicio al cliente.
- Cuando utilice un cordón de extensión, utilice únicamente cordones con capacidad nominal para uso a la intemperie que estén en buenas condiciones. No deje que la conexión entre en contacto con líquido.

Para reducir el riesgo de sacudidas eléctricas, este aparato electrodoméstico tiene un enchufe polarizado (una hoja es más ancha que la otra). Este enchufe entrará en un tomacorriente polarizado solamente de una manera. Si el enchufe no entra por completo en el tomacorriente, déle la vuelta. Si sigue sin entrar, póngase en contacto con un electricista competente para instalar el tomacorriente adecuado. No haga ningún tipo de cambio en el enchufe.

Después de enchufar el cordón de energía en el tomacorriente, encienda la unidad empujando el interruptor de la posición "0" a la posición "I". Los símbolos utilizados en el accionador del interruptor son los símbolos internacionales de "encendido y apagado".

○ = APAGADO | = ENCENDIDO

Familiarícese con los accesorios que se incluyen con la aspiradora. Cada accesorio puede usarse de diversas maneras para aspirar y soplar residuos. A continuación hay una lista de los accesorios y de sus usos.

Boquilla utilitaria: Boquilla que se usa en la mayoría de las aplicaciones de aspiración.

Tubos extensores: Estos tubos pueden conectarse entre sí y proporcionan longitud adicional para tener más alcance.

Manguera Pro-Hose: Proporciona transferencia de capacidad de aspiración o soplado al lugar de trabajo. Proporciona los medios para acoplar los tubos extensores y las boquillas.

Funcionamiento (continuación)

Recogida de materiales secos con la aspiradora

1. El filtro debe estar siempre en la posición correcta para reducir el riesgo de fugas y posibles daños a la aspiradora.
2. Al utilizar la aspiradora para recoger polvo muy fino, será necesario que usted vacíe el tambor y limpie el filtro a intervalos más frecuentes para mantener un rendimiento óptimo.

NOTA: Se necesita un filtro seco para recoger material seco. Si utiliza la aspiradora para recoger polvo cuando el filtro está mojado, éste se atascará rápidamente y será muy difícil limpiarlo.

3. Si el filtro está mojado pero usted necesita usar la aspiradora para recoger material seco, debe dejar primero que el filtro se seque.

Recogida de líquidos con la aspiradora

1. Al recoger pequeñas cantidades de líquido se podrá dejar puesto el filtro.
2. Al recoger grandes cantidades de líquido recomendamos quitar el filtro. Si no se quita el filtro, éste se saturará y podrá aparecer niebla en el escape.
3. Cuando el líquido que se encuentre en el tambor alcance un nivel predeterminado, el mecanismo del flotador subirá automáticamente para cortar el flujo de aire. Usted sabrá que el flotador ha subido porque la succión parará y el ruido del motor alcanzará una frecuencia más alta, debido al aumento de la velocidad del motor. Cuando esto suceda, apague la aspiradora, desenchufe el cordón de energía y vacíe el tambor.
4. Después de utilizar la aspiradora para recoger líquidos, deje que el filtro se seque para reducir el riesgo de que se forme moho y el filtro se dañe.

⚠ ADVERTENCIA: No utilice la aspiradora sin la jaula del filtro y el flotador, ya que estas piezas evitan que entre líquido en el impulsor y dañe el motor.

Vaciado del tambor

1. Quite la tapa. Tire hacia fuera de los pestillos flexibles ubicados a cada lado de la tapa para soltarlos del tambor.
2. Mientras sujeta los pestillos hacia afuera, levante el ensamblaje superior alejándolo del tambor.
3. Coloque el ensamblaje superior en posición invertida sobre un área limpia mientras vacía el tambor o cambia el filtro.
4. Vierta el contenido del tambor en el recipiente adecuado de eliminación de residuos.

Traslado de la aspiradora para mojado/seco

Si fuera necesario levantar la aspiradora para trasladarla, NO la levante por las asas de la tapa, a menos que el tambor para polvo esté vacío. Para evitar dejar caer la aspiradora, debido a que los pestillos se suelten o a una posible rotura de piezas, levante la aspiradora por el tambor para polvo.

Funcionamiento (continuación)

Dispositivo de soplado

La aspiradora cuenta con “soplado completo”. Tiene capacidad para soplar serrín y otros residuos. Siga los pasos que se indican a continuación para utilizar la aspiradora como soplador.

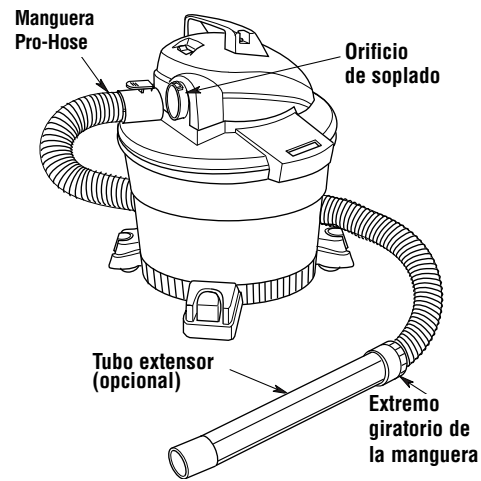
⚠ ADVERTENCIA: Use siempre protectores oculares de seguridad que cumplan con la norma ANSI Z87.1 (o en Canadá, con la norma CSA Z94.3) antes de utilizar la aspiradora como soplador.

⚠ ADVERTENCIA: Para reducir el riesgo de lesiones a las personas que estén presentes, manténgalas alejadas de los residuos soplados.

⚠ PRECAUCIÓN: Use una máscara antipolvo si el soplado genera polvo que podría ser inhalado.

⚠ PRECAUCIÓN: Para reducir el riesgo de daños a la audición, use protectores de oídos cuando utilice la aspiradora/soplador durante muchas horas seguidas o cuando la utilice en un área ruidosa.

1. Localice el orificio de soplado de la aspiradora para mojado/seco.
2. Inserte el extremo más grande de la manguera en el orificio de soplado de la aspiradora.
3. (Opcional) Coloque el tubo extensor en el extremo giratorio de la manguera.
4. Encienda la aspiradora y estará listo para usarla como soplador.



Mantenimiento

Filtro

⚠ ADVERTENCIA: Para reducir el riesgo de lesiones debidas a un arranque accidental, desenchufe el cordón de energía antes de cambiar o limpiar el filtro.

NOTA: Este filtro está hecho de papel de alta calidad diseñado para detener partículas de polvo muy pequeñas. El filtro se puede usar para recoger material seco o pequeñas cantidades de líquido. Maneje el filtro cuidadosamente al quitarlo para limpiarlo o al instalarlo. Es posible que se produzcan arrugas en los pliegues del filtro, pero dichas arrugas no afectarán el funcionamiento del filtro.

Limpieza del filtro

El filtro se debe limpiar a menudo para mantener un rendimiento óptimo de la aspiradora.

Asegúrese de secar el filtro antes de guardar la aspiradora o de recoger residuos secos.

IMPORTANTE: Después de limpiar el filtro, compruebe si éste tiene desgarraduras o agujeros pequeños. No use un filtro que tenga agujeros o desgarraduras. Incluso un agujero pequeño puede hacer que se salga mucho polvo de la aspiradora. Cámbielo inmediatamente.

Remoción e instalación del filtro

Remoción del filtro:

1. Sostenga las lengüetas del filtro Qwik Lock™ en cada mano.
2. Con un dedo pulgar en el vástago Qwik Lock™, que sobresale a través de la placa del filtro integrada, levante las lengüetas del filtro a la vez que empuja hacia abajo sobre el vástago.
3. Esta acción hará que el filtro se suelte de la jaula del filtro. Deslice el filtro hasta retirarlo de la jaula.

Instalación del filtro:

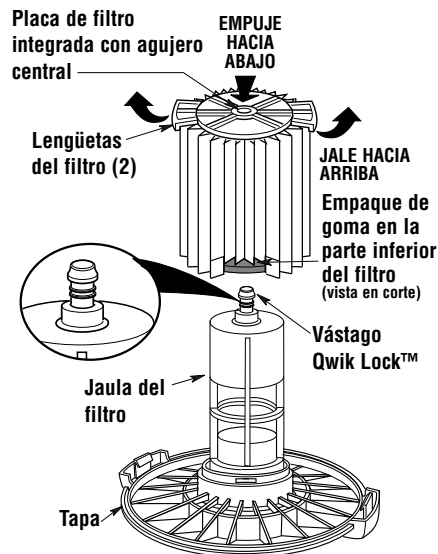
1. Deslice cuidadosamente el filtro Qwik Lock™ sobre la jaula del filtro y presione hacia abajo sobre el borde exterior del filtro hasta que el empaque de goma ubicado en la parte inferior del filtro se asiente firmemente alrededor de la base de la jaula del filtro y contra la tapa.

⚠ ADVERTENCIA: No utilice la aspiradora sin la jaula del filtro y el flotador, ya que estas piezas evitan que entre líquido en el impulsor y dañe el motor.

2. Alinee el agujero central pequeño ubicado en la parte superior del filtro sobre el vástago Qwik Lock™ ubicado en la jaula del filtro. Presione firmemente sobre la parte de arriba del filtro cerca del vástago, para permitir que el filtro se acople a presión sobre la bola ubicada en el extremo del vástago. Una vez hecho esto, el filtro estará instalado.

NOTA: Si no se asienta apropiadamente el empaque inferior, el resultado podría ser que los residuos pasen por alto el filtro.

IMPORTANTE: Para evitar daños a la rueda del soplador y al motor, vuelva a instalar siempre el filtro antes de usar la aspiradora para recoger material seco.



Mantenimiento (continuación)

Limpieza de un filtro seco

1. Se puede lograr una extracción parcial de residuos sin quitar el filtro de la aspiradora. Golpee la parte superior de la tapa con la mano mientras la aspiradora está apagada.
2. Para obtener óptimos resultados de limpieza debido a la acumulación de polvo, limpie el filtro en un área abierta. La limpieza SE DEBE realizar al aire libre y no en el interior de la vivienda.
3. Después de quitar el filtro de la aspiradora, saque los residuos secos golpeando suavemente el filtro contra la pared interior del tambor para polvo. Los residuos se soltarán y caerán.
4. Para una limpieza a fondo del filtro seco con polvo fino (sin residuos), haga pasar agua a través del filtro tal como se describe bajo "Limpieza de un filtro mojado".

Limpieza de un filtro mojado

Después de quitar el filtro, haga pasar agua a través de él usando una manguera o desde una espita. Tenga cuidado de que la presión del agua procedente de la manguera no sea tan fuerte como para dañar el filtro.

Limpieza y desinfección de la aspiradora para mojado/seco

Para mantener el mejor aspecto posible de la aspiradora para mojado/seco, limpie su exterior con un paño humedecido con agua templada y un jabón suave.

Para limpiar el tambor:

1. Vacíe de residuos el tambor.
 2. Lave a fondo el tambor con agua templada y un jabón suave.
 3. Limpie el tambor con un paño seco.
- Antes de un almacenamiento prolongado o según sea necesario (por ejemplo, si se recogen aguas residuales), se debe desinfectar el tambor.

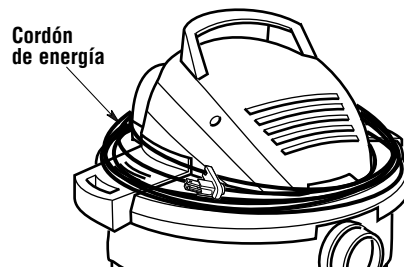
Para desinfectar el tambor:

1. Eche 1 galón de agua y 1 cucharadita de blanqueador de cloro en el tambor.
2. Deje que la solución repose durante 20 minutos y agítela cuidadosamente cada pocos minutos, asegurándose de mojar todas las superficies interiores del tambor.
3. Vacíe el tambor después de 20 minutos. Enjuáguelo con agua hasta que el olor a blanqueador desaparezca. Deje que el tambor se seque completamente antes de sellar el motor sobre el tambor.

Almacenamiento

Antes de almacenar la aspiradora, se debe vaciar y limpiar el tambor para polvo. El cordón de energía se debe enrollar alrededor de la unidad. Los accesorios se deben mantener en la misma área que la aspiradora para que estén al alcance de la mano cuando se necesiten. La aspiradora se debe almacenar en interiores.

Si el cordón de energía está dañado, debe ser reemplazado por el fabricante o su agente de servicio o por personal similarmente calificado, para reducir el riesgo de accidente.



Ruedecillas

Si las ruedecillas hacen ruido, puede poner una gota de aceite en el eje del rodillo para que hagan menos ruido.

⚠ ADVERTENCIA: Para **GARANTIZAR** la **SEGURIDAD** y **CONFIABILIDAD** del producto, cualquier otro mantenimiento, reparación o ajuste deberá ser realizado por centros de servicio Autorizados, utilizando siempre piezas de repuesto RIDGID.


Piezas de repuesto

Aspiradora para mojado/seco de 6 galones EE.UU./22.5 litros Número de modelo 6000RVO

Pida siempre por número de pieza —no por número de clave

▲ ADVERTENCIA

SERVICIO DE AJUSTES Y REPARACIONES DE UNA ASPIRADORA PARA MOJADO/SECO CON AISLAMIENTO DOBLE

En una aspiradora para mojado/seco con aislamiento doble se proporcionan dos sistemas de aislamiento en vez de conexión a tierra. No se proporciona ningún medio de conexión a tierra en un aparato electrodoméstico con aislamiento doble, ni se debe añadir a éste ningún medio de conexión a tierra. El servicio de ajustes y reparaciones de una aspiradora para mojado/seco con aislamiento doble requiere extremado cuidado y conocimiento del sistema, y debe ser realizado únicamente por personal de servicio competente. Las piezas de repuesto para la aspiradora para mojado/seco con aislamiento doble deben ser idénticas a las piezas que reemplazan. La aspiradora para mojado/seco con aislamiento doble está marcada con las palabras "DOUBLE INSULATED" (con aislamiento doble) y puede que el símbolo  (un cuadrado dentro de un cuadrado) también esté marcado en los aparatos.

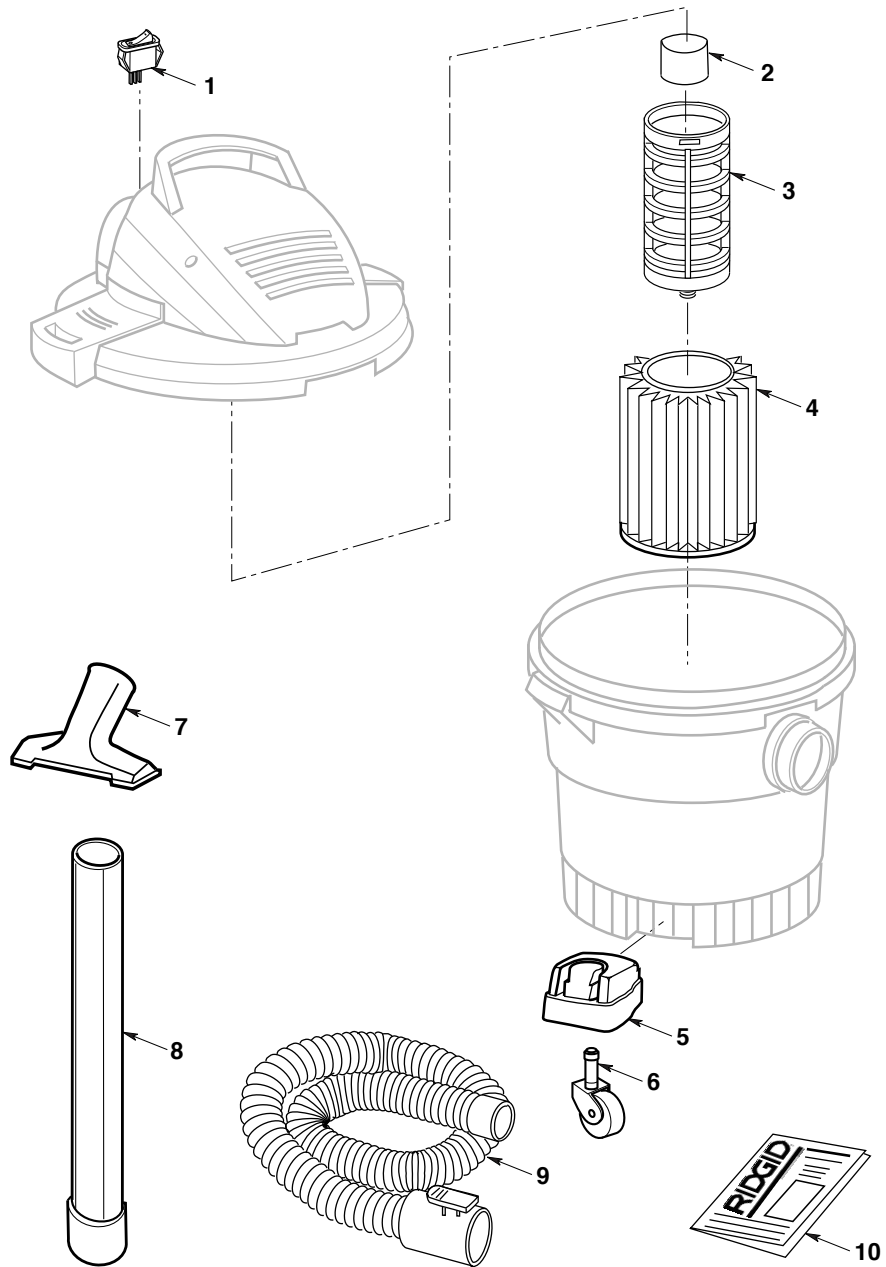
Para reducir el riesgo de lesiones por causa de descargas eléctricas, desenchufe el cordón de energía antes de hacer servicio de ajustes y reparaciones a las piezas eléctricas de la aspiradora para mojado/seco.

| No. de clave | 6000RVO No. de pieza | Descripción |
|--------------|-------------------------|---|
| 1 | 832086 | Interruptor oscilante |
| 2 | 509488 | Flotador |
| 3 | 823201-3 | † Jaula del filtro |
| 4 | VF4000 | Filtro Qwik Lock™ |
| 5 | 832084 | Pata para ruedecilla con área de almacenamiento |
| 6 | 331605 | Ruedecilla |
| 7 | VT1709 | † Boquilla utilitaria |
| 8 | VT1708 | Tubo de extensión |
| 9 | 831337-10 | Manguera Pro-Hose |
| 10 | SP6936 | Manual del usuario |

† Estas piezas de repuesto se encuentran disponibles en el establecimiento donde compró la aspiradora.

Piezas de repuesto (continuación)

Aspiradora para mojado/seco de 6 galones EE.UU./22.5 litros
Número de modelo 6000RVO





Qué está cubierto

Se garantiza que las herramientas RIDGID® están libres de defectos de fabricación y de materiales.

Cuánto dura la cobertura

Esta garantía dura toda la vida de la herramienta RIDGID®. La cobertura de garantía termina cuando el producto se vuelva inutilizable por motivos que no sean defectos de fabricación o de materiales.

Cómo puede obtener servicio

Para obtener el beneficio de esta garantía, envíe el producto completo mediante transporte prepago a RIDGE TOOL COMPANY, Elyria, Ohio, o a cualquier CENTRO DE SERVICIO INDEPENDIENTE RIDGID®. Las llaves para tubos y otras herramientas de mano deben devolverse al establecimiento de compra.

Qué haremos para corregir los problemas

Los productos garantizados se repararán o reemplazarán, a opción de RIDGE TOOL, y se devolverán sin cargo; o si después de tres intentos de reparar o reemplazar un producto durante el período de garantía dicho producto sigue presentando defectos, usted podrá optar por recibir un reembolso completo por la cantidad del precio de compra.

Qué no está cubierto

Las averías debidas a uso incorrecto, abuso o desgaste por el uso normal no están cubiertas por esta garantía. RIDGE TOOL no será responsable de ningún daño incidental ni emergente.

Cómo se relaciona la ley local con la garantía

Algunos estados no permiten la exclusión o limitación de los daños incidentales o emergentes, por lo que es posible que la limitación o exclusión que antecede no tenga aplicación en su caso. Esta garantía le confiere a usted derechos específicos y es posible que también tenga otros derechos, que varían de un estado a otro, una provincia a otra o un país a otro.

Ninguna otra garantía expresa tiene aplicación

Esta GARANTÍA COMPLETA DE POR VIDA es la garantía única y exclusiva de los productos RIDGID®. Ningún empleado, agente, distribuidor u otra persona está autorizado a alterar esta garantía ni a dar ninguna otra garantía en nombre de RIDGE TOOL COMPANY.

No. de existencias 6000RV

No. de modelo 6000RV0

Número de serie _____

Los números de modelo y de serie se pueden encontrar junto al orificio de soplado. Debe anotar tanto el número de modelo como el de serie en un lugar seguro para uso futuro.

¿PREGUNTAS O COMENTARIOS? COMUNÍQUESE CON NOSOTROS EN

Por favor, tenga a mano su número de modelo y número de serie cuando llame.



EMERSON
Commercial & Residential Solutions

© 2015 Emerson

No. de pieza SP6936

No. de formulario SP6936-1

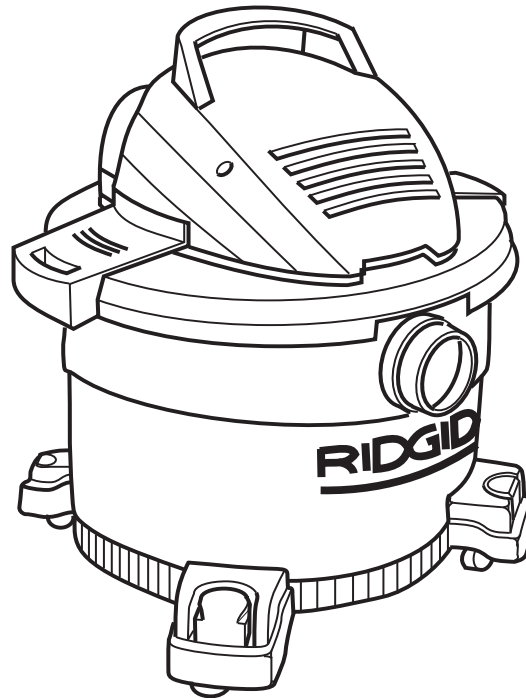
Impreso en México 01/15

RIDGID®

MODE D'EMPLOI

ASPIRATEUR DE LIQUIDES ET
DE POUSSIÈRES DE
22,5 LITRES / 6 GALLONS DES É-U

6000RVO



EN CAS DE QUESTIONS OU POUR OBTENIR DES INFORMATIONS,
VEUILLEZ NOUS CONTACTER AU :



AVERTISSEMENT :

Pour réduire le risque de blessure, l'utilisateur doit lire et comprendre le mode d'emploi avant d'utiliser ce produit.

Merci d'avoir acheté un produit RIDGID.

• Español - página 15

CONSERVER CE MANUEL POUR RÉFÉRENCE FUTURE

Pièce N° SP6936

Imprimé au Mexique

Table des matières

| Section | Page | Section | Page |
|---|------|---|------|
| Introduction | 32 | Vidage du tambour | 36 |
| Déballage et contrôle du contenu du carton | 32 | Transport de l'aspirateur de liquides et de poussières | 36 |
| Assemblage des roulettes/pieds à roulettes | 33 | Fonction de souffleuse | 37 |
| Assemblage de l'aspirateur de liquides et de poussières | 33 | Entretien | 38 |
| Rangement des accessoires | 34 | Pièces de rechange | 40 |
| Fonctionnement | 35 | Réparation des aspirateurs de liquides et de poussière à double isolation | 40 |
| Aspiration de matériaux secs | 36 | Garantie | 44 |
| Aspiration de liquides | 36 | | |

INSTRUCTIONS IMPORTANTES RELATIVES À LA SÉCURITÉ

La sécurité est une combinaison de faire preuve de bon sens, rester vigilant et savoir comment votre aspirateur de liquides et de poussières (l'« aspirateur ») fonctionne.

Termes de signalisation de questions de sécurité

▲ DANGER : indique une situation dangereuse qui, si elle n'est pas évitée, **causera** la mort ou une blessure grave.

▲ AVERTISSEMENT : indique une situation dangereuse qui, si elle n'est pas évitée, **risque de causer** la mort ou une blessure grave.

▲ MISE EN GARDE : indique une situation dangereuse qui, si elle n'est pas évitée, **pourrait causer** une blessure légère ou modérée.

Prenez toujours des précautions élémentaires, notamment les précautions suivantes, lorsque vous utilisez votre aspirateur de liquides et de poussières :

▲ AVERTISSEMENT

– Pour réduire le risque d'incendie, de choc électrique ou de blessure :

- Lisez et comprenez ce manuel et toutes les étiquettes placées sur l'aspirateur de liquides et de poussières avant de mettre celui-ci en marche.
- N'utilisez l'aspirateur que comme cela est décrit dans ce mode d'emploi.
- Ne laissez pas en marche pendant que vous êtes absent – vous vous risqueriez de manquer des signes importants indiquant un fonctionnement anormal, comme une perte de puissance d'aspiration, la sortie de débris ou de liquides par la bouche de soufflage d'air ou des bruits anormaux en provenance du moteur. Cessez immédiatement d'utiliser l'aspirateur si vous constatez de tels signes.
- Ne laissez pas l'aspirateur sans surveillance quand il est branché dans une prise de courant. Débranchez-le de la prise quand il n'est pas utilisé et avant toute opération de maintenance.
- Des étincelles à l'intérieur du moteur risquent de mettre feu à des vapeurs ou poussières

inflammables. Pour réduire le risque d'incendie ou d'explosion : n'utilisez pas à proximité de gaz ou de liquides inflammables ou combustibles, ou de poussières explosives, comme de l'essence automobile ou d'autres fiouls, de l'essence à briquet, des produits de nettoyage, de la peinture à l'huile, du gaz naturel, de la poussière de charbon, de la poussière de magnésium, de la poussière de céréales, de la poussière d'aluminium ou de la poudre.


- N'aspirez jamais de matières en train de brûler ou des matières fumigènes, telles que des cigarettes, des allumettes ou des cendres chaudes.
- N'aspirez jamais de poussières de plaques de plâtre, de suie ou de cendres de cheminée froides lorsqu'un filtre pour aspirateur de liquides et de poussières standard. Il s'agit de poussières très fines qui risqueraient d'être projetées à nouveau dans l'air ambiant. Utilisez un filtre à poussières fines à la place.
- Pour réduire le risque d'inhalation de vapeurs toxiques, n'aspirez pas de matériaux toxiques ou dangereux, et n'utilisez pas à proximité de tels matériaux.
- Pour réduire le risque de choc électrique, n'exposez pas à la pluie et empêchez l'entrée de liquides dans le compartiment du moteur. Rangez à l'intérieur.
- Cet aspirateur de liquides et de poussières n'est pas conçu pour emploi par des personnes (y compris des enfants) ayant des capacités physiques, sensorielles ou mentales réduites, ou qui n'ont pas l'expérience ou les connaissances nécessaires, sauf en cas de supervision ou d'instructions sur l'utilisation de cet appareil par une personne responsable de leur sécurité.
- Ne laissez pas les enfants se servir de l'aspirateur comme d'un jouet. Il faut surveiller de très près quand il est utilisé par des enfants ou à proximité d'enfants.
- N'utilisez pas avec un filtre déchiré ou sans avoir installé de filtre, sauf quand vous aspirez des liquides, comme cela est décrit dans ce mode d'emploi. Des débris secs capturés par la roue risquent d'endommager le moteur ou d'être expulsés à nouveau dans l'air ambiant.

- Éteignez l'aspirateur avant de le débrancher.
- Pour réduire le risque de blessure pouvant être causée par une mise en marche accidentelle, débranchez le cordon d'alimentation avant de changer le filtre ou de le nettoyer.
- Ne débranchez pas en tirant sur le cordon. Pour débrancher, saisissez la fiche – pas le cordon.
- N'utilisez pas l'aspirateur avec une fiche, un cordon ou un autre composant endommagé. Si votre aspirateur ne fonctionne pas comme il faut, s'il manque des pièces, s'il quelqu'un l'a laissé tomber, s'il est endommagé, s'il a été laissé à l'extérieur ou s'il est tombé dans de l'eau, téléphonez au service d'assistance à la clientèle.
- Ne tirez pas l'aspirateur et ne le portez pas par son cordon, n'utilisez pas le cordon pour servir de poignée, ne fermez pas une porte sur le cordon et ne laissez pas le cordon tendu passer sur des bords ou des coins tranchants. Ne traînez pas l'aspirateur sur son cordon. Maintenez le cordon à distance des surfaces chauffées.
- Ne touchez pas la fiche, l'interrupteur ou l'aspirateur avec des mains mouillées.
- Utilisez seulement des cordons de rallonge qui sont conçus pour emploi à l'extérieur. Les cordons de rallonge en mauvais état ou trop petits en termes de calibre des fils peuvent poser des risques d'incendie et de choc électrique. Pour réduire le risque de tels dangers, inspectez les cordons pour vous assurer qu'ils sont en bon état et que le liquide n'entre pas en contact avec le raccordement. N'utilisez pas de cordons de rallonge dont les conducteurs ont un calibre inférieur à 16 AWG. Pour réduire la perte d'énergie, utilisez un cordon de rallonge de calibre 14 s'il mesure entre 7,5 et 15 mètres de long, ou de calibre 12 s'il mesure 15 mètres de long ou plus.
- Cet aspirateur de liquides et de poussières a une double isolation, ce qui élimine le besoin d'un système de mise à la terre séparé. Utilisez seulement des pièces de rechange identiques. Lisez les instructions concernant l'entretien des aspirateurs de liquides et de poussières à double isolation avant toute opération d'entretien.
- Ne mettez aucun objet dans les orifices de ventilation. N'aspirez pas quand de quelconques orifices de ventilation sont obstrués ; assurez-vous que ces orifices ne sont pas bloqués par de la poussière, de la peluche, des cheveux ou de quelconques objets pouvant réduire la circulation de l'air.
- Gardez les cheveux, les vêtements flottants, les doigts et toutes les parties du corps à distance des orifices et des pièces mobiles.
- Pour réduire le risque de chute, faites très attention lorsque vous utilisez l'aspirateur dans des escaliers.
- Pour réduire le risque de vous faire mal au dos ou de tomber, ne soulevez pas un aspirateur qui est lourd en raison de la présence de liquides ou de débris aspirés. Videz partiellement l'aspirateur en écopant ou en purgeant.
- Pour réduire le risque de blessure ou le risque d'endommagement de l'aspirateur, n'utilisez que des accessoires recommandés par Ridgid.
- En cas d'utilisation de l'aspirateur comme soufflante :
 - Ne dirigez la décharge d'air que vers la zone de travail.
 - Ne dirigez pas l'air vers des personnes présentes à proximité.
 - Gardez les enfants à distance lors du fonctionnement de la soufflante.
 - N'utilisez la soufflante que pour souffler des saletés et des débris.
 - N'utilisez pas en guise de pulvérisateur.
- Pour réduire le risque de blessure pour les yeux, portez des lunettes de sécurité. L'utilisation de toute soufflante ou de tout aspirateur utilitaire peut toujours causer la projection de corps étrangers dans les yeux, ce qui risque d'entraîner des blessures graves aux yeux.

▲ MISE EN GARDE :

- Pour réduire le risque de perte auditive, portez des protecteurs d'oreilles lorsque vous vous servez de l'aspirateur pendant plusieurs heures ou quand vous l'utilisez dans un endroit bruyant.
- Portez un masque antipoussières en cas d'utilisation dans un environnement poussiéreux.
- Les décharges statiques sont fréquentes dans les endroits secs ou lorsque l'humidité relative de l'air ambiant est faible. L'aspiration de débris fins avec votre aspirateur peut déposer une charge statique sur le tuyau ou sur l'aspirateur. La meilleure chose à faire pour réduire la fréquence des décharges statiques chez vous ou lorsque vous utilisez cet aspirateur consiste à ajouter de l'humidité dans l'air avec un humidificateur.

Observez les avertissements suivants qui figurent sur le carter du moteur de votre aspirateur :

 DOUBLEMENT ISOLÉ. MISE À LA TERRE NON NÉCESSAIRE. POUR L'ENTRETIEN, N'UTILISEZ QUE DES PIÈCES DE RECHANGE IDENTIQUES L'ENTRETIEN.

▲ AVERTISSEMENT: pour votre propre sécurité, lisez et comprenez le manuel de l'opérateur. Ne laissez jamais l'aspirateur en marche sans surveillance. Ne ramassez pas de cendres chaudes, de charbon ou de matières toxiques, inflammables ou dangereuses. N'utilisez pas à proximité de vapeurs ou de liquides explosifs.

▲ AVERTISSEMENT: pour réduire le risque de choc électrique – n'exposez pas à la pluie – rangez à l'intérieur.

CONSERVER CE MANUEL

Introduction

Cet aspirateur de liquides et de poussières est conçu pour emploi résidentiel seulement. Il peut être utilisé pour aspirer des matières humides ou sèches, et il peut également faire fonction de souffleuse.

Lisez ce mode d'emploi pour vous familiariser avec les fonctions du produit et pour comprendre les particularités d'utilisation de votre nouvel aspirateur.

Déballage et contrôle du contenu du carton

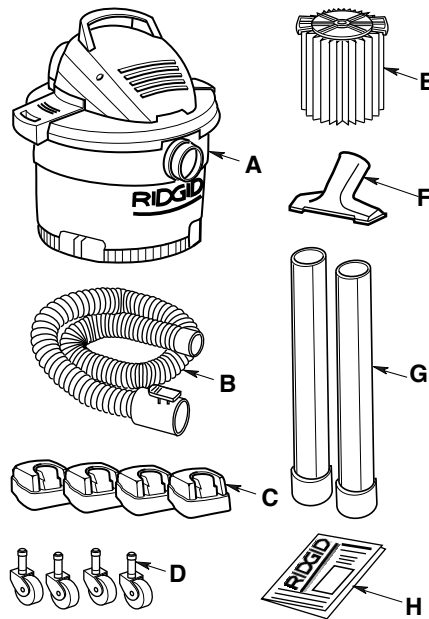
Retirez tous les éléments se trouvant dans la boîte en carton. Inspectez chaque élément en le comparant à la liste incluse dans la boîte en

de quelconques composants sont endommagés ou manquants.

Liste du contenu de la boîte en carton

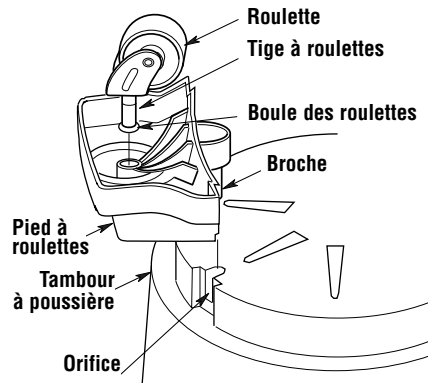
| Légende | Description | Qté |
|---------|--|-----|
| A | Aspirateur de liquides et de poussières | 1 |
| B | Tuyau flexible Pro-Hose..... | 1 |
| C | Pied à roulettes avec compartiment | 4 |
| D | Pieds à roulettes | 4 |
| E* | Filtre Qwik Lock™ | 1 |
| F | Suceur à usages multiples | 1 |
| G | Baguettes de rallonge | 2 |
| H | Mode d'emploi..... | 1 |

* Le filtre a été installé sur le bloc moteur en usine.



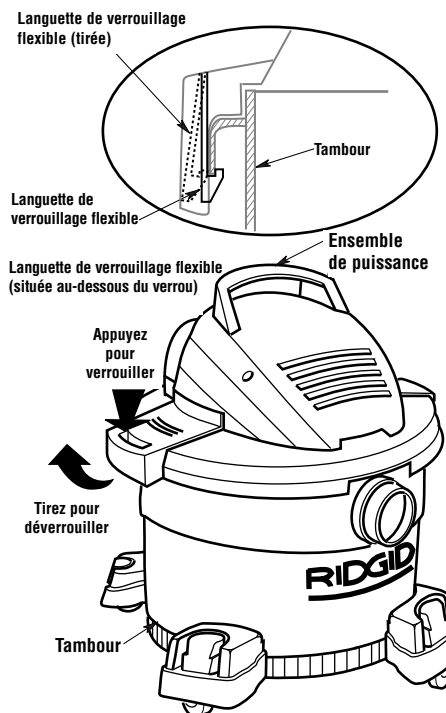
Assemblage des roulettes/pieds à roulettes

1. Retourner le tambour à poussière sens dessus-dessous sur le sol.
2. Insérer les pieds à roulettes aux endroits indiqués sur le dessous du tambour (4 emplacements).
3. Appuyer sur le pied à roulettes jusqu'à ce qu'il soit exactement au même niveau que le fond du tambour à poussière.
4. Insérer la tige des roulettes à l'intérieur du pied à roulettes, comme illustré (4 emplacements).
5. Appuyer sur les roulettes jusqu'à ce que la boule de la tige à roulettes soit insérée complètement dans le pied. On peut entendre un déclic lorsque la boule est en place, et les roulettes pivotent facilement lorsque le positionnement est correct.
6. Remettre le tambour dans le bon sens.



Assemblage de l'aspirateur de liquides et de poussières –

1. Alignez le devant de l'ensemble de bloc moteur avec le port d'aspiration situé sur le devant du tambour, comme illustré.
- REMARQUE :** l'ensemble de bloc moteur doit être aligné avec le tambour pour permettre une fixation correcte.
2. Placez l'ensemble de bloc moteur au-dessus du tambour.
 3. Assurez-vous que l'ensemble de bloc moteur recouvre complètement le dessus du tambour pour éviter tout risque de fuite.
 4. Appuyez sur le dessus des poignées pour accrocher les languettes de verrouillage flexibles sur le rebord du tambour.
 5. Assurez-vous que les languettes de verrouillage sont bien emboîtées comme illustré, pour empêcher le couvercle de s'ouvrir.
 6. Pour retirer l'ensemble de bloc moteur, inversez les instructions ci-dessus.

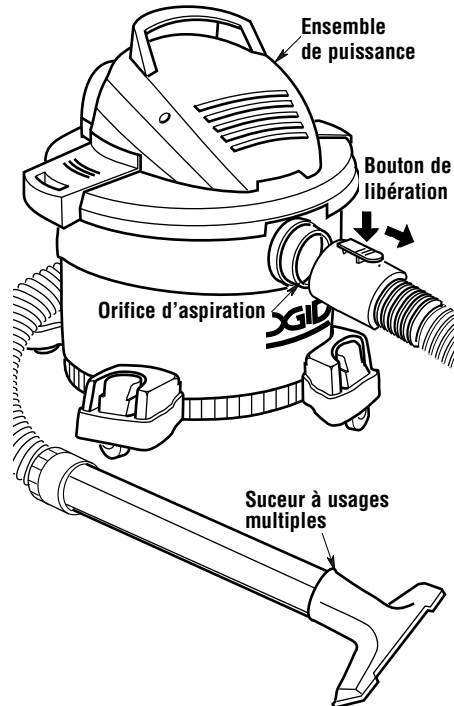


Assemblage de l'aspirateur de liquides et de poussières (suite)

Insertion du tuyau

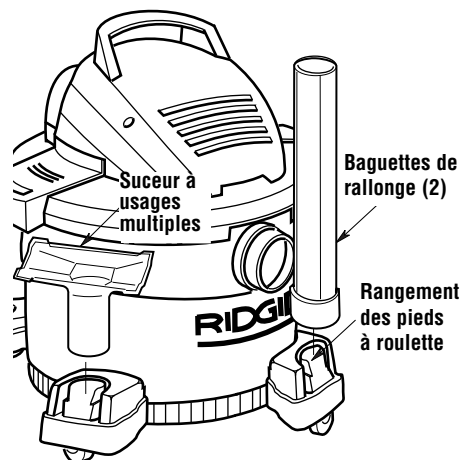
Insérez le bout le plus large du tuyau à l'intérieur de l'orifice d'aspiration.

Placez solidement le suceur tout usage sur l'autre bout du tuyau. L'aspirateur est désormais prêt à l'emploi.



Rangement des accessoires

1. Pour ranger les accessoires et baguettes de rallonge, faites-les glisser sur les colonnes des pieds à roulettes.
2. Pour retirer les baguettes et accessoires, effectuez une légère rotation et tirez vers le haut.



Fonctionnement

▲ AVERTISSEMENT : pour réduire le risque d'incendie, d'explosion ou d'endommagement de l'aspirateur :

- Ne laissez pas en marche pendant que vous êtes absent – vous risqueriez de manquer des signes importants indiquant un fonctionnement anormal, comme une perte de puissance d'aspiration, la sortie de débris ou de liquides par la bouche de soufflage d'air ou des bruits anormaux en provenance du moteur. Cessez immédiatement d'utiliser l'aspirateur si vous constatez de tels signes.
- Ne laissez pas l'aspirateur branché lorsque vous ne l'utilisez pas.
- Ne continuez pas à utiliser l'aspirateur lorsque le flotteur a coupé l'aspiration.
- Les étincelles à l'intérieur du moteur risqueraient de mettre feu à des matières inflammables en suspension dans l'air. Ne pas utiliser l'aspirateur à proximité de liquides inflammables ou à des endroits où il y a des gaz ou des vapeurs inflammables, ou de la poussière explosive/dans l'air. Les liquides, gaz et vapeurs inflammables comprennent : essence à briquet, produits de nettoyage du type solvant, peinture à base d'huile, essence, alcool et aérosols. Types de poussières explosives : charbon, magnésium, aluminium, céréales et poudre noire.
- N'aspirez pas de poussières explosives, de liquides inflammables ou de cendres chaudes.

▲ AVERTISSEMENT : pour réduire le risque de choc électrique ou de blessure :

- N'exposez pas à la pluie, et ne laissez pas de liquides pénétrer dans le compartiment du moteur. Rangez à l'intérieur.
- Ne touchez pas la fiche de branchement, l'interrupteur ou l'aspirateur si vous avez les mains mouillées.
- Débrancher l'aspirateur avant d'effectuer une quelconque opération de maintenance. Si votre aspirateur ne fonctionne pas comme il devrait, si des pièces sont manquantes, si vous l'avez laissé tomber, s'il est endommagé, s'il a été laissé à l'extérieur ou s'il a été immergé dans de l'eau, rappez-le dans un centre de réparation indépendant ou téléphonez au service d'assistance à la clientèle.
- Lorsque vous utilisez un cordon de rallonge, n'utilisez qu'un cordon prévu pour emploi à l'extérieur et en bon état. Ne laissez pas la connexion entrer en contact avec des liquides.

Pour réduire le risque de choc électrique, cet appareil est muni d'une fiche polarisée (une lame est plus large que l'autre). La fiche n'entrera dans une prise polarisée que d'une seule manière. Inverser la fiche si elle n'entre pas complètement dans la prise. Si elle n'entre toujours pas, prendre contact avec un électricien qualifié pour installer une prise de courant appropriée. Ne pas altérer la fiche de quelque manière que ce soit.

Après avoir branché le cordon d'alimentation dans la prise de courant, mettez l'appareil sous tension en appuyant sur l'interrupteur pour le faire passer de la position « O » à la position « | ».

○ = ARRÊT | = MARCHE

Il faut bien se familiariser avec les accessoires qui ont été inclus avec cet aspirateur. Chaque accessoire peut être utilisé de façons multiples pour l'aspiration ou le soufflage de débris. Voici une liste des accessoires et des divers moyens de les utiliser :

Suceur à usages multiples – Suceur d'utilité générale servant à la plupart des applications de nettoyage avec un aspirateur.

Baguettes de rallonge – Ces baguettes peuvent être connectées ensemble et fournir une longueur supplémentaire pour atteindre des endroits plus éloignés.

Tuyau flexible Pro-Hose – Permet de transférer la capacité d'aspirer ou de souffler sur le site de travail. Fournit le moyen de connecter des baguettes de rallonge et des suceurs.

Fonctionnement (suite)

Aspiration de matériaux secs

1. Le filtre doit toujours être dans la position correcte afin d'éviter les fuites et l'endommagement possible de l'aspirateur.
2. Lors de l'utilisation de l'aspirateur pour ramasser des poussières très fines, il sera nécessaire de vider le tambour et de nettoyer le filtre à intervalles plus fréquents afin de continuer à bénéficier de la performance maximale de l'aspirateur.

REMARQUE : un filtre sec est nécessaire pour ramasser des matériaux secs. Si l'aspirateur est employé pour ramasser de la poussière alors que le filtre est humide, le filtre se bouchera très vite et il sera ensuite très difficile à nettoyer.

3. Si votre filtre est mouillé et si vous avez besoin d'utiliser l'aspirateur pour ramasser des matériaux secs, il est impératif de laisser sécher le filtre d'abord.

Aspiration de liquides

1. Lors de l'aspiration de faibles volumes de liquide, le filtre peut être laissé à sa place.
2. Lors de l'aspiration de grands volumes de liquide, nous recommandons de retirer le filtre. Sinon, il se saturera et on verra peut-être apparaître alors un peu de brume sur l'orifice d'échappement.

▲ AVERTISSEMENT : ne faites pas fonctionner sans la cage du filtre et le flotteur étant donné qu'ils empêchent l'entrée de liquide dans la roue et protègent ainsi le moteur contre les dommages pouvant en résulter.

3. Lorsque le liquide aspiré atteint un niveau prédéterminé dans le tambour, le flotteur s'élèvera automatiquement afin de couper la circulation de l'air. Vous saurez quand le flotteur sera en position élevée parce que l'aspiration cessera et le bruit du moteur deviendra plus aigu en raison de la vitesse accrue du moteur. Lorsque ceci se produit, fermer l'aspirateur, débrancher le cordon électrique et vider le tambour.
4. Après que l'aspirateur aura été utilisé pour aspirer des liquides, il faudra sécher le filtre pour éviter la formation possible de moisissures et pour ne pas endommager le filtre.

Vidage du tambour

1. Retirez le couvercle. Tirez les languettes de verrouillage souples dans la direction opposée à l'ensemble de chaque côté du couvercle de façon à le dégager du tambour.
2. Tout en maintenant les verrous tirés vers l'extérieur, soulever la partie supérieure pour la séparer du tambour.
3. Poser la partie supérieure sens dessus dessous sur une surface propre pendant le vidage du tambour ou le remplacement du filtre.
4. Verser le contenu du tambour dans un récipient à ordures approprié.

Transport de l'aspirateur de liquides et de poussières

S'il s'avérait nécessaire de soulever l'aspirateur pour le déplacer, NE LE SOULEVEZ PAS par les poignées du couvercle à moins que le tambour à poussière ne soit vide. Pour éviter de laisser tomber l'aspirateur en conséquence du risque de cassure d'un composant ou d'ouverture des verrous de fixation, soulevez l'aspirateur par le tambour à poussière.

Fonctionnement (suite)

Fonction de soufflante

L'aspirateur de liquides et de poussières peut également servir de « soufflerie ». Il peut souffler de la sciure de bois et autres débris. Suivre la procédure indiquée ci-dessous pour utiliser l'aspirateur comme une soufflerie.

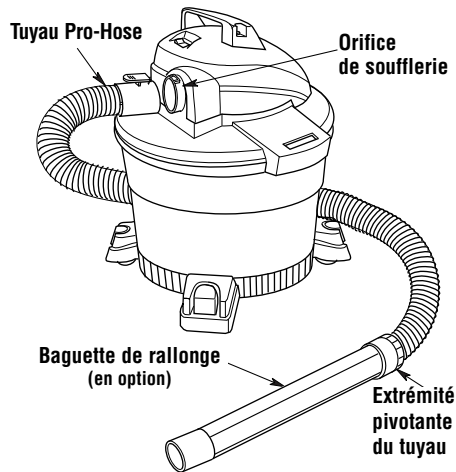
⚠ AVERTISSEMENT : il faut toujours porter des lunettes de protection conformes à la norme ANSI Z87.1 (ou, au Canada, ACNOR Z94.3) avant de se servir de l'aspirateur comme une soufflerie.

⚠ AVERTISSEMENT : pour ne pas risquer de causer des blessures à d'autres personnes, il est recommandé de leur demander de rester à distance suffisante des débris soufflés.

⚠ MISE EN GARDE : portez un masque anti-poussière si votre soufflage crée de la poussière qui pourrait être aspirée.

⚠ MISE EN GARDE : pour réduire le risque d'endommagement de l'ouïe, portez des protecteurs d'oreilles quand vous utilisez l'aspirateur/la souffleuse pendant de longues périodes ou quand vous l'utilisez dans un environnement bruyant.

1. Localiser la soufflerie de l'aspirateur de liquides et de poussières.
2. Insérez le bout le plus large du tuyau à l'intérieur de l'orifice d'aspiration de l'aspirateur.
3. (En option) Attacher la baguette de rallonge à l'extrémité pivotante du tuyau.
4. Mettre l'aspirateur en marche – l'aspirateur peut désormais être utilisé comme soufflerie.



Entretien

Filtre

⚠ AVERTISSEMENT : pour réduire le risque de blessure en raison d'une mise en marche accidentelle, débrancher le cordon électrique avant de remplacer le filtre ou de le nettoyer.

REMARQUE : le filtre est fait de papier de qualité élevée conçu pour intercepter les très petites particules de poussière. Le filtre peut être utilisé pour l'aspiration de déchets secs ou de petites quantités de liquide. Manipuler le filtre avec précaution lors de son nettoyage ou de son installation. Les plis du filtre peuvent être froissés pendant l'installation, mais cela n'aura aucune influence sur la performance du filtre.

Nettoyage du filtre

Il faut nettoyer souvent le filtre pour ne pas affecter la performance optimale de l'aspirateur. Sécher toujours le filtre avant de le ranger ou de ramasser des débris secs.

IMPORTANT : inspecter le filtre après le nettoyage pour s'assurer qu'il n'est pas déchiré ou troué. Ne pas utiliser un filtre déchiré ou troué. Même un petit trou peut permettre à beaucoup de poussière de sortir de l'aspirateur. Remplacer le filtre immédiatement dans ce cas.

Retrait et installation du filtre

Retrait du filtre :

1. Saisissez les deux languettes du filtre Qwik Lock™, une dans chaque main.
2. Placez un pouce sur le goujon Qwik Lock™, qui dépasse de la plaque de filtre intégrée, tirez sur les languettes du filtre et appuyez en même temps sur le goujon.
3. Cette action aura pour effet que le filtre sera relâché de la cage du filtre. Faites glisser le filtre pour le sortir de la cage.

Installation du filtre :

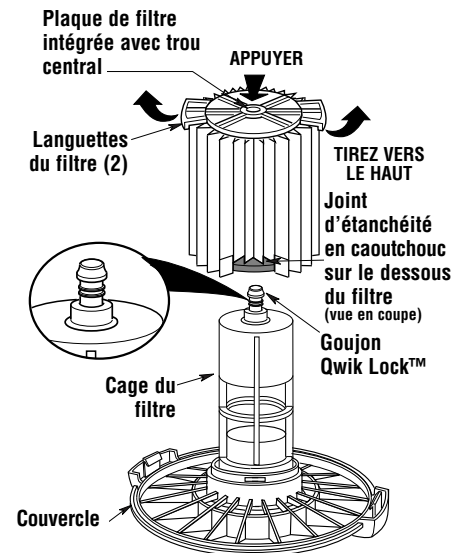
1. Faites glisser délicatement le filtre Qwik Lock™ par-dessus la cage du filtre et appuyez sur le bord extérieur du filtre jusqu'à ce que le joint d'étanchéité en caoutchouc sur le dessous du filtre soit solidement installé autour de la base de la cage du filtre et contre le couvercle.

2. Alignez le petit trou central sur le dessus du filtre au-dessus du goujon Qwik Lock™ sur la cage du filtre. Appuyez fermement sur le dessus du filtre, à proximité du goujon, pour permettre au filtre de s'emboîter sur l'embout sphérique du goujon. Le filtre est maintenant installé.

⚠ AVERTISSEMENT : ne faites pas fonctionner sans la cage du filtre et le flotteur étant donné qu'ils empêchent l'entrée de liquide dans la roue et protègent ainsi le moteur contre les dommages pouvant en résulter.

REMARQUE : si vous n'installez pas correctement le joint d'étanchéité du dessous, il est possible que des débris passent à côté du filtre.

IMPORTANT : pour éviter d'endommager le moteur et la roue de la soufflerie, toujours réinstaller le filtre avant d'utiliser l'aspirateur pour ramasser des matériaux secs.



Entretien (suite)

Nettoyage d'un filtre sec

1. Le retrait de certains débris secs peut être accompli sans enlever le filtre de l'aspirateur. Donner un coup avec la main sur la partie supérieure du couvercle pendant que l'aspirateur est à l'arrêt.
2. Pour obtenir les meilleurs résultats lors du nettoyage après l'accumulation de poussière, nettoyer le filtre dans un endroit non clos. Le nettoyage DOIT être effectué à l'extérieur – pas dans des locaux d'habitation.
3. Après avoir retiré le filtre de l'aspirateur, retirer les débris secs, en tapotant doucement le filtre contre la paroi intérieure du tambour à poussière. Les débris se détacheront et tomberont.
4. Pour effectuer un nettoyage complet du filtre sec lorsqu'il est couvert de particules très fines (pas de débris), faire couler de l'eau à travers le filtre comme indiqué sous la rubrique « Nettoyage d'un filtre humide ».

Nettoyage d'un filtre humide

Une fois le filtre retiré, faites couler de l'eau au travers du filtre à l'aide d'un tuyau d'arrosage ou d'un robinet. Veillez à ce que la pression de l'eau sortant du tuyau d'arrosage ne soit pas si forte qu'elle pourrait endommager le filtre.

Nettoyage et désinfection de l'aspirateur de liquides et de poussières

Pour conserver l'esthétique optimale de votre aspirateur de poussières et de liquides, nettoyez la surface extérieure de l'aspirateur à l'aide d'un chiffon imbibé d'eau tiède savonneuse.

Procédure de nettoyage du tambour :

1. Vider les débris.
2. Nettoyez soigneusement le tambour à poussière à l'aide d'un savon doux et d'eau tiède.
3. Essuyer avec un chiffon sec.

Avant de ranger l'aspirateur pour une période prolongée, ou dans les cas nécessaires (par exemple après l'aspiration d'eaux usées), vous devez désinfecter le tambour.

Pour désinfecter le tambour :

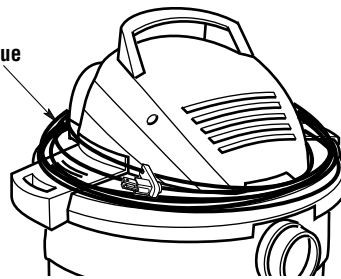
1. Versez un gallon (presque 4 litres) d'eau et une cuillerée à thé de produit à blanchir à l'eau de javel dans le tambour.
2. Laissez la solution agir pendant 20 minutes, en remuant doucement de temps à autre pour vous assurer que toutes les surfaces du tambour restent humides.
3. Videz le tambour au bout de 20 minutes. Rincez à l'eau jusqu'à ce que l'odeur d'eau de javel ait disparu. Laissez sécher le tambour complètement avant de sceller le moteur sur le tambour.

Rangement

Avant de ranger votre aspirateur, vous devez vider et nettoyer le tambour. Le cordon doit être enroulé autour de l'appareil. Les accessoires doivent être rangés à proximité de l'aspirateur de façon à pouvoir les trouver facilement. Ranger l'aspirateur à l'intérieur d'un bâtiment.

Si le cordon est endommagé, il doit être remplacé par le fabricant ou son représentant, ou par une autre personne ayant les compétences techniques nécessaires, afin de réduire le risque d'accident.

Cordon électrique



Roulettes

Si les roulettes sont bruyantes, vous pouvez mettre une goutte d'huile sur l'arbre porte-galet pour atténuer le bruit.

⚠ AVERTISSEMENT : Pour assurer la SÉCURITÉ et la FIABILITÉ des produits, toutes les autres opérations d'entretien, de réparation et de réglage doivent être effectuées par des centres de service après-vente agréés, en utilisant toujours des pièces de rechange RIDGID.


Pièces de rechange

Aspirateur de liquides et de poussières de 6 gallons des É-U / 22,5 litres Numéro de modèle 6000RVO

Pour commander, utiliser toujours le numéro de pièce – pas le numéro de légende

AVERTISSEMENT

RÉPARATION DE L'ASPIRATEUR DE LIQUIDES ET DE POUSSIÈRES DOUBLEMENT ISOLÉ

Dans un aspirateur de liquides et de poussières doublement isolé, deux systèmes d'isolation sont fournis au lieu de la mise à la terre. Aucun moyen de mise à la terre n'est prévu sur un appareil électro-ménager doublement isolé, et il ne faut pas en ajouter. La réparation d'un aspirateur de liquides et de poussières doublement isolé nécessite une connaissance approfondie du système et la prise de précautions extrêmes. Une telle réparation ne doit être entreprise que par un technicien agréé. Les pièces de rechange pour un aspirateur de liquides et de poussières doublement isolé doivent être les mêmes que les pièces qu'elles remplacent. Les mots « DOUBLE INSULATED » (Doublement isolé) figurent sur l'aspirateur de liquides et de poussières doublement isolé, et le symbole  (un carré à l'intérieur d'un autre carré) peut également figurer sur les appareils.

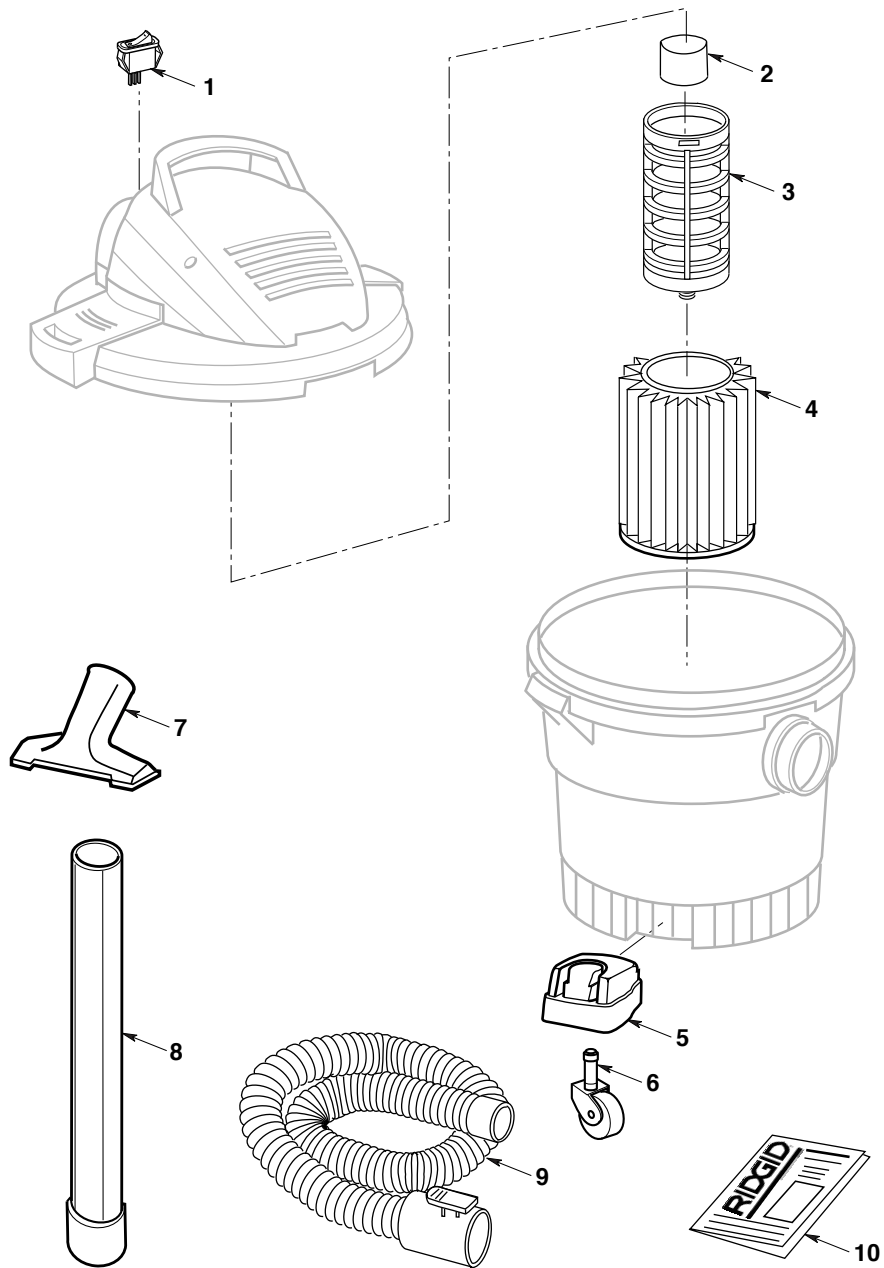
Pour réduire le risque de blessures causées par les chocs électriques, débranchez le cordon d'alimentation avant de réparer les éléments électriques de l'aspirateur de liquides et de poussières.

| N° Légende | 6000RVO Pièce N° | Description |
|------------|---------------------|---|
| 1 | 832086 | Interrupteur à bascule |
| 2 | 509488 | Flotteur |
| 3 | 823201-3 | Cage du filtre |
| 4 | VF4000 | † Filtre Qwik Lock™ |
| 5 | 832084 | Pied à roulettes avec compartiment de rangement |
| 6 | 331605 | Roulette |
| 7 | VT1709 | † Suceur à usages multiples |
| 8 | VT1708 | Baguette de rallonge |
| 9 | 831337-10 | Tuyau flexible Pro-Hose |
| 10 | SP6936 | Mode d'emploi |

† Ces pièces de rechange sont en vente partout où des aspirateurs de liquides et de poussières sont en vente.

Pièces de rechange (suite)

Aspirateur de liquides et de poussières de 6 gallons des É-U / 22,5 litres
Numéro de modèle 6000RVO





Notes





Notes



RIDGID®



Ce qui est couvert par la garantie

Les outils RIDGID® sont garantis sans défauts de matériau ou de façon.

Durée de la garantie

Cette garantie est valable pendant toute la durée de vie de l'outil RIDGID®. Le produit n'est plus couvert lorsqu'il cesse d'être utilisable pour des causes autres que des défauts de matériau ou de façon.

Le service après-vente

Pour tirer parti de cette garantie, le produit complet doit être renvoyé en port payé à RIDGE TOOL COMPANY, Elyria, Ohio ou bien à un quelconque CENTRE DE SERVICE APRÈS-VENTE RIDGID® AGRÉÉ. Les clés à tube et autres outils à main devront être renvoyés au point de vente où ils ont été achetés.

Les mesures de rectification des problèmes

Les produits garantis seront réparés ou remplacés gratuitement selon le choix de RIDGE TOOL et ils seront renvoyés au client en port payé ; ou, si le produit est toujours défectueux à la suite de trois tentatives de réparation ou de remplacement au cours de la période de garantie, vous êtes en droit de recevoir un remboursement complet du prix d'achat de votre outil.

Ce qui n'est pas couvert par la garantie

Les défaillances causées par une utilisation abusive ou non conforme aux instructions, ou par l'usure ordinaire, ne sont pas couvertes par cette garantie. RIDGE TOOL n'est responsable d'aucun dommage secondaire ou indirect.

Effet des lois locales sur cette garantie

Au Canada, certaines provinces ne permettent peut-être pas l'exclusion ou la limitation des dommages secondaires ou indirects; par conséquent, il est possible que l'exclusion ou la limitation susmentionnée ne s'applique pas à vous. Cette garantie vous confère des droits contractuels spécifiques, et vous disposez peut-être d'autres droits qui peuvent varier d'une province à l'autre.

Aucune autre garantie expresse ne s'applique

La présente GARANTIE À VIE COMPLÈTE est la garantie unique et exclusive concernant les produits RIDGID®. Aucun salarié, agent, distributeur ou autre n'est autorisé à modifier cette garantie ou à offrir une quelconque autre garantie de la part de RIDGE TOOL COMPANY.

Stock N° 6000RV
Numéro de modèle 6000RV0
Numéro de série _____

Les numéros de modèle et de série sont indiqués près de l'orifice de soufflerie. Il est recommandé d'inscrire ces deux numéros en lieu sûr pour future référence.

EN CAS DE QUESTIONS OU POUR OBTENIR DES INFORMATIONS, VEUILLEZ NOUS CONTACTER AU :

Prière d'avoir votre numéro de modèle ainsi que votre numéro de série à portée de la main avant de nous appeler.



EMERSON™

© 2015 Emerson

Commercial & Residential Solutions

Pièce N° SP6936

Imprimé N° SP6936-1

Imprimé au Mexique 01/15