

LEGACY THAT FLOWS™

**KLEIN
TOOLS®**



Find Quality Products Online at:

www.GlobalTestSupply.com

sales@GlobalTestSupply.com

LEGACY THAT FLOWS™

Our new line of plumbing tools expands our legacy by delivering next-generation solutions that empower professionals to tackle every challenge. This innovative portfolio reimagines the most frequently used tools, incorporating features that streamline efficiency and enhance performance. The lineup includes Pipe Wrenches, Tubing Cutters, PVC and PEX Cutters, and Appliance Installation Tools.



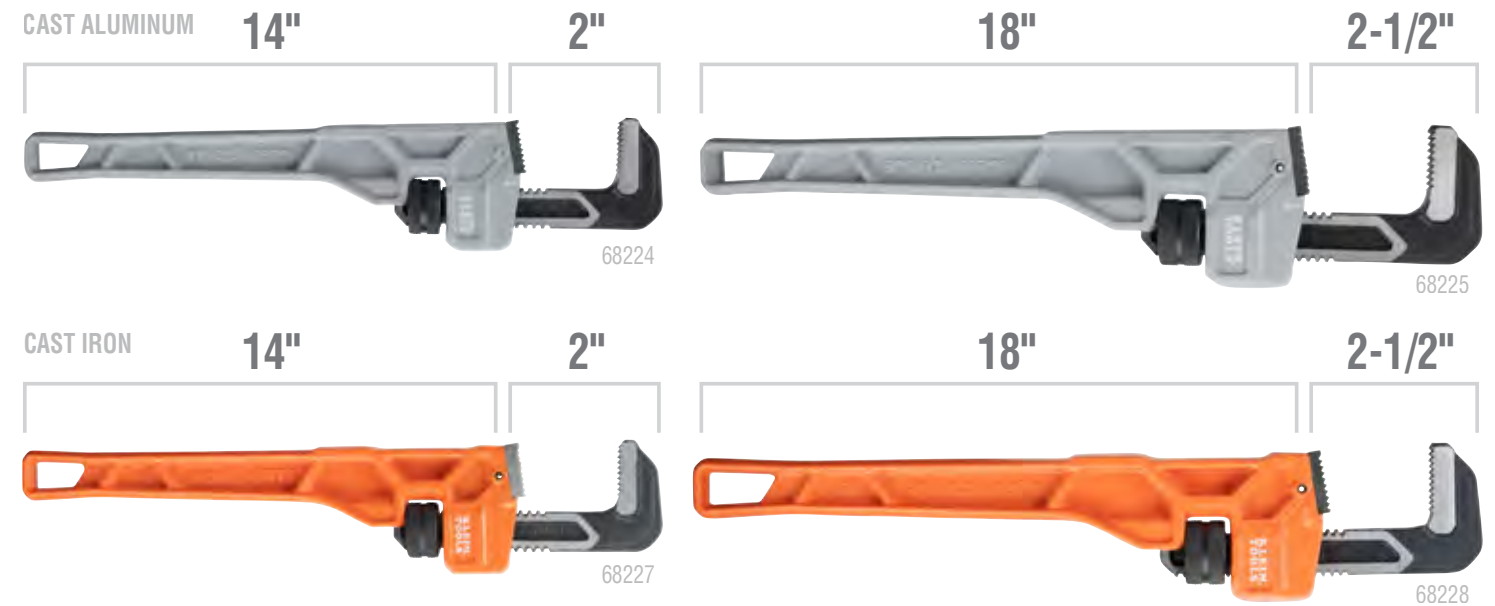
PIPE WRENCHES

PIPE WRENCHES

TRADITIONAL PIPE WRENCHES

I-Beam design significantly reduces weight in the handle while maintaining durability. This allows for more balanced application and easier handling.

- Optimized jaw design for no-slip grip
- Hang hole for convenient storage
- Adjustable jaws



"S-JAW" PIPE WRENCH

Combining the best of channel locks and traditional pipe wrenches.

Quick-Adjust "S-Jaw" Pipe Wrench

- 3-points of contact for no-slip grip
- Fast-action button for easy size extension



KLEIN TOOLS

TUBING CUTTERS

TUBING CUTTERS

QUICK-ADJUST TUBING CUTTER

Innovation buried in a traditional plumber's tool.



1-5/8" Quick-Adjust Tubing Cutter

- Fast-action button and ergonomic adjustment knob to adjust cut capacity
- Built-in telescoping deburring tool
- Spare blade stored in knob (Cat. No. 50054)
- Push pin for easy blade replacement

TRADITIONAL TUBING CUTTERS

Diversifying our portfolio with most commonly used plumber's tools with a broad range of cutting capacities.



1-3/8" Constant Swing Tubing Cutter

- Ergonomic adjustment knob to adjust cut capacity
- Built-in telescoping deburring tool
- Spare blade stored in knob (Cat. No. 50054)
- Push pin for easy blade replacement



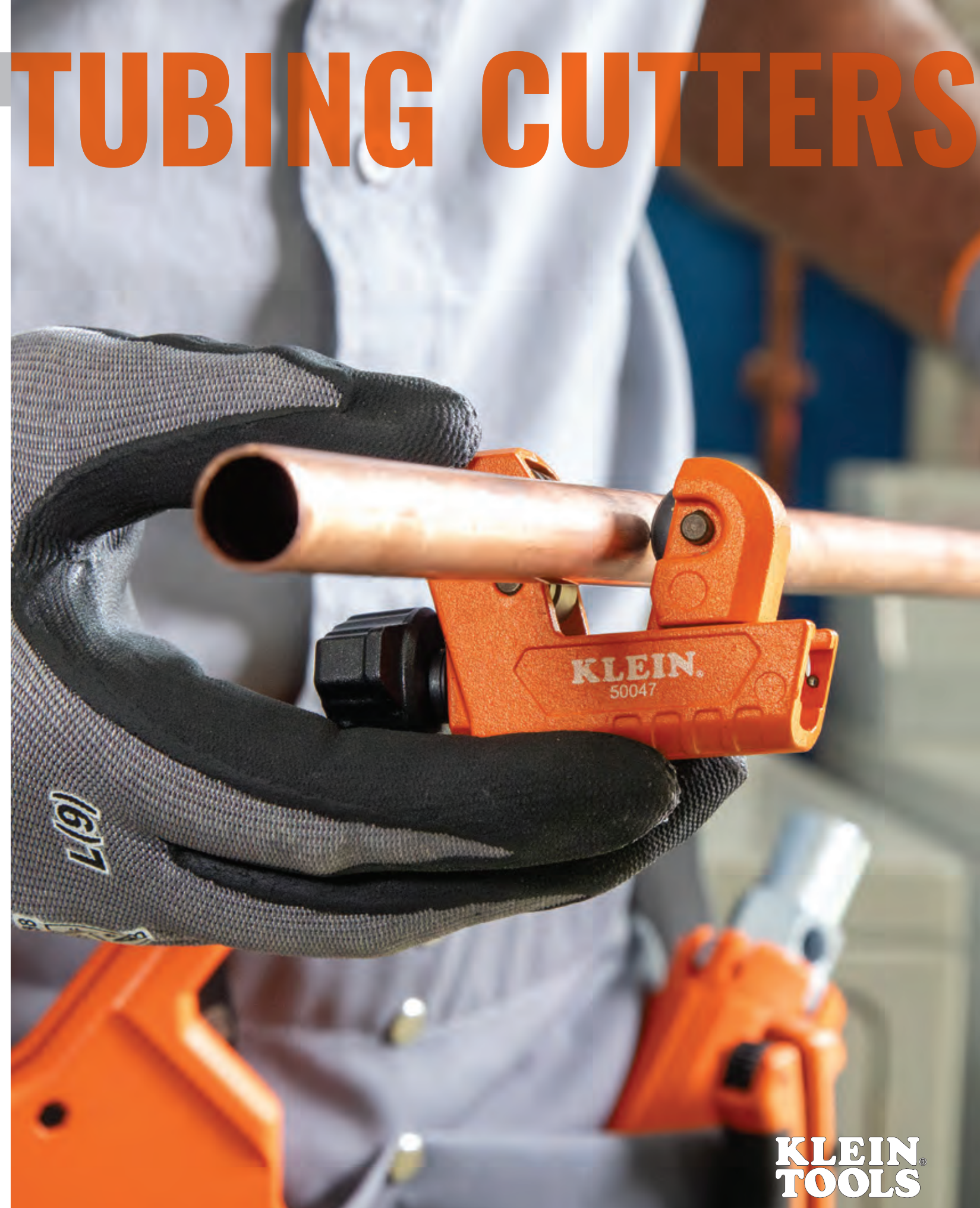
1-1/8" Mini Tubing Cutter

- Ergonomic adjustment knob to adjust cut capacity
- Spare blade stored in knob (Cat. No. 50054)
- Push pin for easy blade replacement



5/8" Nano Tubing Cutter

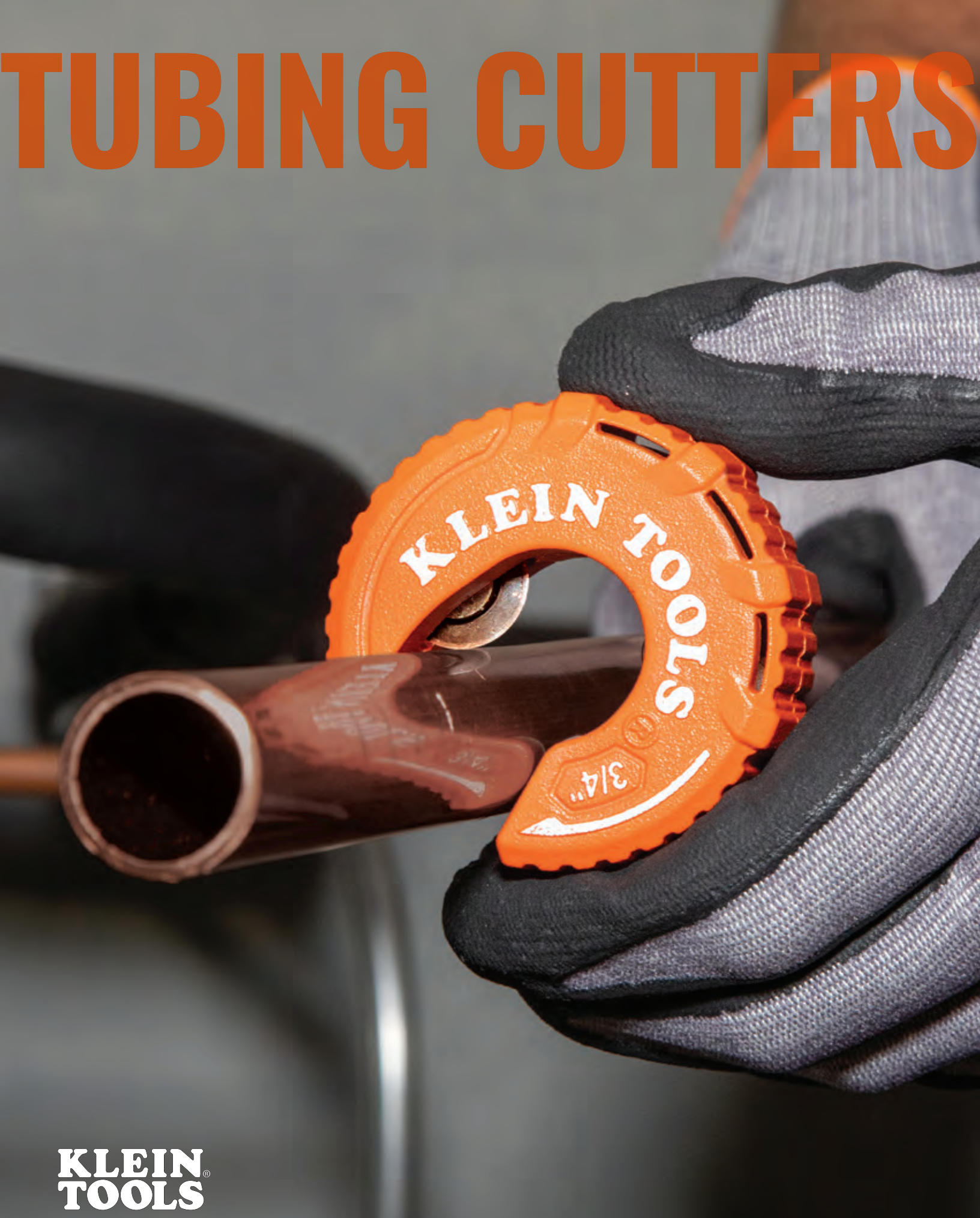
- Compact size for working in low clearance spaces
- Ergonomic adjustment knob to adjust cut capacity
- Push pin for easy blade replacement



**KLEIN
TOOLS**

TUBING CUTTERS

TUBING CUTTERS



C-STYLE TUBING CUTTERS

Ultra-compact design optimized for working in tight spaces.

- Spring-loaded blade for maintained cutting force
- Water drainage ports to prevent water build up



50057

**1" C-Style
Tubing Cutter**



50056

**3/4" C-Style
Tubing Cutter**



50055

**1/2" C-Style
Tubing Cutter**



50048

**C-Style Tubing
Cutter 3-Piece Set**

- MODbox™ compatible case (attach to Case Adapter Rail Attachment Cat. No. 54875MB)
- Includes 50055; 50056; 50057

**KLEIN
TOOLS**

Find Quality Products Online at:

www.GlobalTestSupply.com

sales@GlobalTestSupply.com

PVC & PEX CUTTERS

PVC & PEX CUTTERS

TRADITIONAL PVC CUTTER



50063

1-1/4" Ratcheting PVC Cutter

- Ratcheting ability for easier cutting
- For use with PEX and PVC
- One-handed blade retraction

PRECISION PVC CUTTER



50044

1-1/4" Ratcheting Precision PVC Cutter

- Quick-release button for blade retraction
- Improved ratcheting ability
- Jaw nesting for variety of jaw sizes
- Easy blade exchange

PEX & SOFT- SHELLED TUBING CUTTER



50043

1" PEX & Tubing Cutter

- Pierce-point blade for improved cutting
- Easy blade exchange



**KLEIN
TOOLS**

APPLIANCE INSTALLATION

APPLIANCE INSTALLATION



KLEIN TOOLS



1-1/4" Telescoping Basin Wrench

- Fits around hex nuts up to 1-1/4"
- Spring-loaded jaw design for easier attachment
- Added leverage via screwdriver passthrough and 3/8" square drive connection



- 2
- 3
- 4
- 6
- 15/16"
- 3/4"
- 7/8"
- 5/8"
- 5/8"
- 4
- Valve
- Aerator Jr.

12-in-1 Faucet Wrench Multi-Tool

- Multi-purpose tool for installing and repairing faucet, toilet, and sink fixtures
- Extends up to 14.5"
- Added leverage via 3/8" square drive connection and screwdriver passthrough



3-in-1 Tube Bender

- Fits 1/4", 5/16" and 3/8" O.D. tubing
- Designed for use with soft copper, aluminum, thin wall steel, and thin wall stainless steel tubing
- Up to 180-Degree bends

REPLACEMENT PARTS



50054

Tubing Cutter Replacement Blades, 2-Pack



50058

Replacement Blade for 50054 PVC Cutter



50060

Replacement Blade for 50043 PEX & Tubing Cutter

PRODUCT INFORMATION

PIPE WRENCHES

Cat.No.	UPC 0-92644+	Product Description	Jaw Capacity	Special Features	Length	Weight
68224	68224-7	14" Cast Aluminum Pipe Wrench	2" (5 cm)	I-Beam Handle; Hang Hole; Adjustable Jaw	14" (35 cm)	1.9 lb (861.8 g)
68225	68225-4	18" Cast Aluminum Pipe Wrench	2-1/2" (6 cm)	I-Beam Handle; Hang Hole; Adjustable Jaw	18" (46 cm)	3.3 lb (1.5 kg)
68227	68227-8	14" Cast Iron Pipe Wrench	2" (5 cm)	I-Beam Handle; Hang Hole; Adjustable Jaw	14" (35 cm)	2.9 lb (1.3 kg)
68228	68228-5	18" Cast Iron Pipe Wrench	2-1/2" (6 cm)	I-Beam Handle; Hang Hole; Adjustable Jaw	18" (46 cm)	5.2 lb (2.4 kg)
68230	68230-8	13" Quick-Adjust S-Jaw Pipe Wrench	Hex: 1-1/4" (3 cm) Round: 1-1/2" (4 cm)	S-Shaped Jaw; Adjustable	13" (33 cm)	2 lb (907 g)

TUBING CUTTERS

Cat.No.	UPC 0-92644+	Product Description	Cut Capacity	Special Features	Material	Reams	Spare Blade Included
50061	50061-9	1-5/8" Quick-Adjust Tubing Cutter	1/8" to 1-5/8" (3 to 41 mm) O.D.	Spring-Action Button; Contoured Adjustment Knob	Copper & Aluminum	Yes	Yes
50046	50046-6	1-3/8" Constant-Swing Tubing Cutter	1/8" - 1-3/8" (3 mm - 35 mm) O.D.	Contoured Adjustment Knob	Copper & Aluminum	Yes	Yes
50047	50047-3	1-1/8" Mini Tubing Cutter	1/8" to 1-1/8" (3 to 28 mm) O.D.	Contoured Adjustment Knob	Copper & Aluminum	-	Yes
50049	50049-7	5/8" Nano Tubing Cutter	1/8" to 5/8" (3 to 28 mm) O.D.	Contoured Adjustment Knob	Copper & Aluminum	-	-
50055	50055-8	1/2" C-Style Tubing Cutter	1/2" (12 mm) I.D.	Spring-Action Blade; Water Drainage Ports	Copper	-	-
50056	50056-5	3/4" C-Style Tubing Cutter	3/4" (1.9 cm) I.D.	Spring-Action Blade; Water Drainage Ports	Copper	-	-
50057	50057-2	1" C-Style Tubing Cutter	1" (2.5 cm) I.D.	Spring-Action Blade; Water Drainage Ports	Copper	-	-
50048	50048-0	C-Style Tubing Cutter, 3-Piece	1/2"; 3/4"; 1" (1.2 cm; 1.9 cm; 2.5 cm) I.D.	MODbox™ Compatible Case; Spring-Action Blade; Water Drainage Ports	Copper	-	-
50054	50054-1	Tubing Cutter Replacement Blade, 2-Piece	-	-	Copper & Aluminum	-	-

PVC & PEX CUTTERS

Cat.No.	UPC 0-92644+	Product Description	Cut Capacity	Special Features	Material	Ratcheting
50063	50063-3	1-1/4" Ratcheting PVC Cutter	1-1/4" (31 mm) I.D.	Locking Latch; Retracting Blade	PVC and PEX	Yes
50044	50044-2	1-1/4" Precision Ratcheting PVC Cutter	1-1/4" (31 mm) I.D.	Locking Latch; Blade Retracting Button; Pierce-Point Blade; Versatile Jaw Shape	PVC and PEX	Yes
50043	50043-5	1" PEX & Tubing Cutter	1" (25 mm) I.D.	Locking Latch; Pierce-Point Blade	PEX and Soft-Shelled Tubing	-

APPLIANCE INSTALLATION

Cat.No.	UPC 0-92644+	Product Description	Capacity	Special Feature	Length	Weight
51006	51006-9	3-in-1 Tubing Bender	1/4", 5/16", 3/8" O.D.	Bends three common tubing sizes	10.5" (26.7 cm)	13.7 oz (388.4 g)
68232	68232-2	1-1/4" Telescoping Basin Wrench	1-1/4" Hex Nuts	Spring-Action Jaw; Adjustable Handle; Screwdriver Passthrough; 3/8" Square Drive Connection	10-17" (24.4 - 43.2 cm)	1.8 lb (0.8 kg)
68098	68098-4	12-in-1 Faucet Wrench Multi-Tool	Tab Mount: 2, 3, 4, 6; Hex Nut: 15/16"; 3/4"; 7/8"; 5/8"	Tab Mount Wrench; Valve Wrench; Hex Nut Wrench; Aerator Wrench; Strainer Wrench; Screwdriver Passthrough; 3/8" Square Drive Connection	14" (35 cm)	2.9 lb (1.3 kg)



**KLEIN[®]
TOOLS**



Find Quality Products Online at:

www.GlobalTestSupply.com

sales@GlobalTestSupply.com