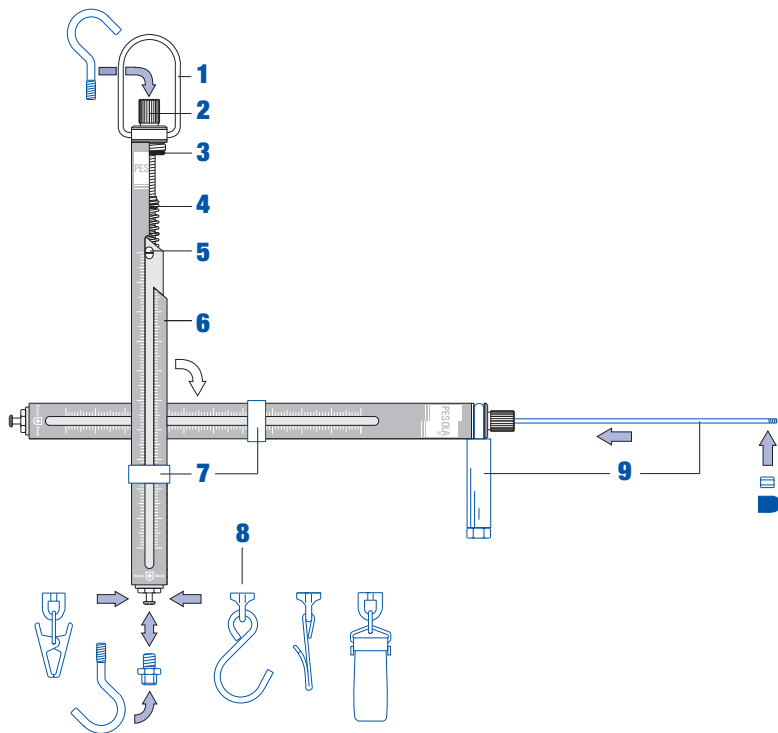


Medio

Precision spring scales

swiss + made



Measurement in all positions, even overhead. Option: Transformation to pressure dynamometer with accessory 4.004 within 20 sec.

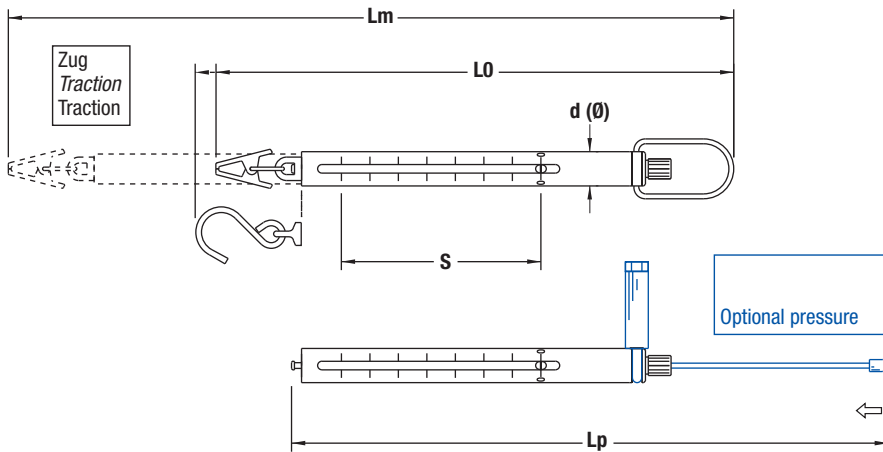
Characteristics

- 1 Rotatable bow allows ideal positioning of scale for reading.
- 2 Screw for the adjustment of the zero position and for tare. Tare range $\approx 20\%$ of capacity.
- 3 Integrated recoil absorption (important for tensile tests up to 1000 g with drag pointer 4.012).
- 4 Adjustment and suspension of spring without play, fatigue resistant stainless steel spring.
- 5 Marker on level of graduation with clear line for perfect reading. Overload proof up to 5000 g.
- 6 Precise graduation with high resolution, abrasion-resistant, color anodized, on aluminum tube.
- 7 Drag pointer available as accessory 4.012.
- 8 Eye-clip with lower suspension rotates and offers easy interchange with other accessories (system click and go).
- 9 Pressure set 4.004 (optional) with pressure rod, screw-top and radial handle.

Precision

Maximum tolerance $\pm 0.3\%$ of load (zero position exactly adjusted).

3 years warranty



Measuring position




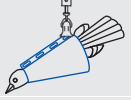
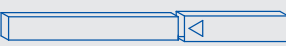

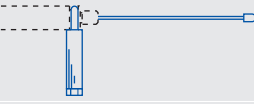
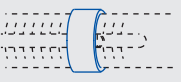
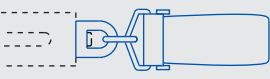

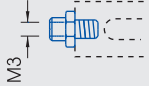


free

Medio Line precision spring scales (pressure measurement with optional accessory 4.004)

Measuring unit	No.	Capacity	Division	Standard*	S	L0	Lm	Lp	d(Ø)	Weight net / gross	Color code
					mm	mm	mm	mm	mm		
Metrisch / <i>métrique</i> / metric	40300	300 g	2 g		100	220	320	300	12	32 g / 47 g	
Metrisch / <i>métrique</i> / metric	40600	600 g	5 g		100	220	320	300	12	33 g / 48 g	
Metrisch / <i>métrique</i> / metric	41000	1000 g	10 g		100	220	320	300	12	36 g / 50 g	
Metrisch / <i>métrique</i> / metric	42500	2500 g	20 g		100	225	325	300	12	38 g / 52 g	
Metric and English (avoirdupois)	40310	300 g / 10 oz	2 g / 1/8 oz		100	220	320	300	12	32 g / 47 g	
Metric and English (avoirdupois)	41002	1000 g / 2 lb	10 g / 1/2 oz		100	220	320	300	12	36 g / 50 g	
Newton (N = m · kg/s ²) (Gravitation ≈ 9.81 m/s ²)	40003	3 N	0.02 N		100	225	325	300	12	32 g / 47 g	
Newton (N = m · kg/s ²) (Gravitation ≈ 9.81 m/s ²)	40006	6 N	0.05 N		100	225	325	300	12	33 g / 48 g	
Newton (N = m · kg/s ²) (Gravitation ≈ 9.81 m/s ²)	40010	10 N	0.1 N		100	225	325	300	12	36 g / 50 g	
Newton (N = m · kg/s ²) (Gravitation ≈ 9.81 m/s ²)	40025	25 N	0.2 N		100	225	325	300	12	38 g / 52 g	

* Standard suspension ex factory (transformation with accessories – system click and go)

Illustration	No.	Unit	Item	Range of application	for Line
	3.602	10	Crocodile clamp with eye clip (click and go)	10 – 1000 g / 1 – 10 N	Micro/Medio
	3.605	10	Hook with eye clip (click and go)	10 – 2500 g / 1 – 25 N	Micro/Medio
	3.613	10	Threaded hook M3	All models	Light/Micro/Medio
	3.655	5	Bird weighing cone	50 – 600 g	Light/Micro/Medio
	3.670	10	Protective tube	All models	Light/Micro/Medio
	Z	1	Test certificate for spring scales	All models	Light/Micro/Medio/Macro
	4.004	1	Pressure set	All models	Medio
	4.012	10	Drag pointer	All models	Medio
	4.042	1	Strong clamp + eye clip (click and go)	300 – 2500 g / 3 – 25 N	Medio
	4.046	1	Yarn clamp (click and go)	All models	Medio
	4.053	1	Bolt M3 (fits hook 3.613)	All models	Medio



PESOLA AG