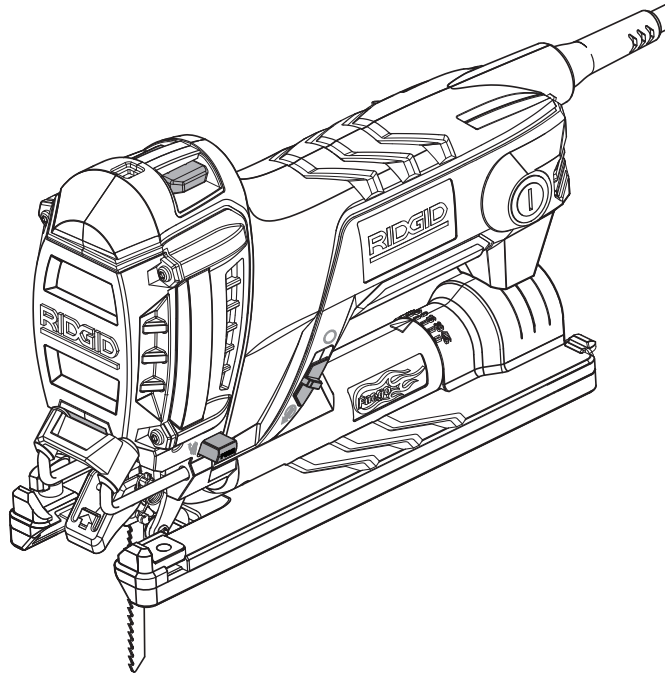


OPERATOR'S MANUAL

COMPACT JIG SAW

R3101



Your jig saw has been engineered and manufactured to our high standard for dependability, ease of operation, and operator safety. When properly cared for, it will give you years of rugged, trouble-free performance.

⚠ WARNING: To reduce the risk of injury, the user must read and understand the operator's manual before using this product.

Thank you for buying a RIGID® product.

SAVE THIS MANUAL FOR FUTURE REFERENCE

Cette scie sauteuse a été conçue et fabriquée conformément à nos strictes normes de fiabilité, simplicité d'emploi et sécurité d'utilisation. Correctement entretenue, elle vous donnera des années de fonctionnement robuste et sans problème.

⚠ AVERTISSEMENT :
Pour réduire les risques de blessures, l'utilisateur doit lire et veiller à bien comprendre le manuel d'utilisation avant d'employer ce produit.

Merci d'avoir acheté un produit RIGID®.

**CONSERVER CE MANUEL POUR
FUTURE RÉFÉRENCE**

Su sierra de vaivén ha sido diseñada y fabricada de conformidad con nuestras estrictas normas para brindar fiabilidad, facilidad de uso y seguridad para el operador. Con el debido cuidado, le brindará muchos años de sólido y eficiente funcionamiento.

⚠ ADVERTENCIA:
Para reducir el riesgo de lesiones, el usuario debe leer y comprender el manual del operador antes de usar este producto.

Le agradecemos la compra de un producto RIGID®.

**GUARDE ESTE MANUAL PARA
FUTURAS CONSULTAS**

TABLE OF CONTENTS

TABLE DES MATIÈRES / ÍNDICE DE CONTENIDO

■ Introduction	2
Introduction / Introducción	
■ General Power Tool Safety Warnings and Instructions	3-4
Avertissements généraux et instructions générales de sécurité en ce qui a trait aux outils électriques	
Instrucciones y advertencias de seguridad generales para el uso de herramientas eléctricas	
■ Jig Saw Safety Warnings and Instructions	4
Avertissements et instructions de sécurité en ce qui a trait à la scie sauteuse	
Instrucciones y advertencias de seguridad para el uso de la sierra vavién	
■ Symbols	5
Symboles / Símbolos	
■ Electrical	6
Caractéristiques électriques / Aspectos eléctricos	
■ Features	7
Caractéristiques / Características	
■ Assembly	8
Assemblage / Armado	
■ Operation	8-10
Utilisation / Funcionamiento	
■ Maintenance	11
Entretien / Mantenimiento	
■ Accessories	11
Accessoires / Accesorios	
■ Warranty	12
Garantie / Garantía	
■ Figure numbers (illustrations)	13-15
Figure numéros (illustrations) / Figura numeras (ilustraciones)	
■ Parts Ordering and Service	Back Page
Commande de pièces et réparation / Pedidos de piezas y servicio	Page arrière / Pág. posterior

INTRODUCTION

INTRODUCCIÓN

This product has many features for making its use more pleasant and enjoyable. Safety, performance, and dependability have been given top priority in the design of this product making it easy to maintain and operate.

* * *

Ce produit offre de nombreuses fonctions destinées à rendre son utilisation plus plaisante et satisfaisante. Lors de la conception de ce produit, l'accent a été mis sur la sécurité, les performances et la fiabilité, afin d'en faire un outil facile à utiliser et à entretenir.

* * *

Este producto ofrece numerosas características para hacer más agradable y placentero su uso. En el diseño de este producto se ha conferido prioridad a la seguridad, el desempeño y la fiabilidad, por lo cual se facilita su manejo y mantenimiento.

GENERAL POWER TOOL SAFETY WARNINGS AND INSTRUCTIONS

WARNING:

Read all safety warnings and all instructions. Failure to follow the warnings and instructions may result in electric shock, fire and/or serious injury.

SAVE ALL WARNINGS AND INSTRUCTIONS FOR FUTURE REFERENCE

The term “power tool” in the warnings refers to your mains-operated (corded) power tool or battery-operated (cordless) power tool.

WORK AREA SAFETY

- **Keep work area clean and well lit.** Cluttered or dark areas invite accidents.
- **Do not operate power tools in explosive atmospheres, such as in the presence of flammable liquids, gases, or dust.** Power tools create sparks which may ignite the dust or fumes.
- **Keep children and bystanders away while operating a power tool.** Distractions can cause you to lose control.

ELECTRICAL SAFETY

- **Power tool plugs must match the outlet. Never modify the plug in any way. Do not use any adapter plugs with earthed (grounded) power tools.** Unmodified plugs and matching outlets will reduce risk of electric shock.
- **Avoid body contact with earthed or grounded surfaces such as pipes, radiators, ranges and refrigerators.** There is an increased risk of electric shock if your body is earthed or grounded.
- **Do not expose power tools to rain or wet conditions.** Water entering a power tool will increase the risk of electric shock.
- **Do not abuse the cord. Never use the cord for carrying, pulling or unplugging the power tool. Keep cord away from heat, oil, sharp edges, or moving parts.** Damaged or entangled cords increase the risk of electric shock.
- **When operating a power tool outdoors, use an extension cord suitable for outdoor use.** Use of a cord suitable for outdoor use reduces the risk of electric shock.
- **If operating a power tool in a damp location is unavoidable, use a ground fault circuit interrupter (GFCI) protected supply.** Use of a GFCI reduces the risk of electric shock.

PERSONAL SAFETY

- **Stay alert, watch what you are doing and use common sense when operating a power tool. Do not use a power tool while you are tired or under the influence of drugs, alcohol or medication.** A moment of inattention while operating power tools may result in serious personal injury.

- **Use personal protective equipment. Always wear eye protection.** Protective equipment such as dust mask, nonskid safety shoes, hard hat, or hearing protection used for appropriate conditions will reduce personal injuries.
- **Prevent unintentional starting. Ensure the switch is in the off-position before connecting to power source and/or battery pack, picking up or carrying the tool.** Carrying power tools with your finger on the switch or energising power tools that have the switch on invites accidents.
- **Remove any adjusting key or wrench before turning the power tool on.** A wrench or a key left attached to a rotating part of the power tool may result in personal injury.
- **Do not overreach. Keep proper footing and balance at all times.** This enables better control of the power tool in unexpected situations.
- **Dress properly. Do not wear loose clothing or jewellery. Keep your hair, clothing, and gloves away from moving parts.** Loose clothes, jewellery or long hair can be caught in moving parts.
- **If devices are provided for the connection of dust extraction and collection facilities, ensure these are connected and properly used.** Use of dust collection can reduce dust-related hazards.

POWER TOOL USE AND CARE

- **Do not force the power tool. Use the correct power tool for your application.** The correct power tool will do the job better and safer at the rate for which it was designed.
- **Do not use the power tool if the switch does not turn it on and off.** Any power tool that cannot be controlled with the switch is dangerous and must be repaired.
- **Disconnect the plug from the power source and/or the battery pack from the power tool before making any adjustments, changing accessories, or storing power tools.** Such preventive safety measures reduce the risk of starting the power tool accidentally.
- **Store idle power tools out of the reach of children and do not allow persons unfamiliar with the power tool or these instructions to operate the power tool.** Power tools are dangerous in the hands of untrained users.
- **Maintain power tools. Check for misalignment or binding of moving parts, breakage of parts and any other condition that may affect the power tool’s operation. If damaged, have the power tool repaired before use.** Many accidents are caused by poorly maintained power tools.
- **Keep cutting tools sharp and clean.** Properly maintained cutting tools with sharp cutting edges are less likely to bind and are easier to control.

GENERAL POWER TOOL SAFETY WARNINGS AND INSTRUCTIONS

- **Use the power tool, accessories and tool bits etc. in accordance with these instructions, taking into account the working conditions and the work to be performed.** Use of the power tool for operations different from those intended could result in a hazardous situation.

SERVICE

- **Have your power tool serviced by a qualified repair person using only identical replacement parts.** This will ensure that the safety of the power tool is maintained.

JIG SAW SAFETY WARNINGS AND INSTRUCTIONS

- **Hold power tool by insulated gripping surfaces, when performing an operation where the cutting accessory may contact hidden wiring or its own cord.** Cutting accessory contacting a “live” wire may make exposed metal parts of the power tool “live” and could give the operator an electric shock.
- **Use clamps or another practical way to secure and support the workpiece to a stable platform.** Holding the work by hand or against your body leaves it unstable and may lead to loss of control.
- **Know your power tool. Read operator’s manual carefully. Learn its applications and limitations, as well as the specific potential hazards related to this tool.** Following this rule will reduce the risk of electric shock, fire, or serious injury.
- **Always wear eye protection with side shields marked to comply with ANSI Z87.1.** Following this rule will reduce the risk of serious personal injury.
- **Protect your lungs. Wear a face or dust mask if the operation is dusty.** Following this rule will reduce the risk of serious personal injury.
- **Protect your hearing. Wear hearing protectors during extended periods of operation.** Following this rule will reduce the risk of serious personal injury.
- **Inspect tool cords periodically and, if damaged, have repaired at your nearest authorized service center. Constantly stay aware of cord location.** Following this rule will reduce the risk of electric shock or fire.
- **Check damaged parts. Before further use of the tool, a guard or other part that is damaged should be carefully checked to determine that it will operate properly and perform its intended function. Check for alignment of moving parts, binding of moving parts, breakage of parts, mounting, and any other conditions that may affect its operation. A guard or other part that is damaged should be properly repaired or replaced by an authorized service center.** Following this rule will reduce the risk of shock, fire, or serious injury.
- **Make sure your extension cord is in good condition. When using an extension cord, be sure to use one heavy enough to carry the current your product will draw. A wire gauge size (A.W.G.) of at least 16 is recommended for an extension cord 50 feet or less in length. A cord exceeding 100 feet is not recommended. If in doubt, use the next heavier gauge. The smaller the gauge number, the heavier the cord. An undersized cord will cause a drop in line voltage resulting in loss of power and overheating.**
- **Inspect for and remove all nails from lumber before using this tool.** Following this rule will reduce the risk of serious personal injury.
- **Save these instructions.** Refer to them frequently and use them to instruct others who may use this tool. If you loan someone this tool, loan them these instructions also.

WARNING:




This product and some dust created by power sanding, sawing, grinding, drilling, and other construction activities may contain chemicals, including lead, known to cause cancer, birth defects or other reproductive harm. Wash hands immediately after handling. Some examples of these chemicals are:

- lead from lead-based paints,
- crystalline silica from bricks and cement and other masonry products, and
- arsenic and chromium from chemically-treated lumber.

Your risk from these exposures varies, depending on how often you do this type of work. To reduce your exposure to these chemicals: work in a well ventilated area, and work with approved safety equipment, such as those dust masks that are specially designed to filter out microscopic particles.

SYMBOLS

The following signal words and meanings are intended to explain the levels of risk associated with this product.







SYMBOL	SIGNAL	MEANING
	DANGER:	Indicates an imminently hazardous situation, which, if not avoided, will result in death or serious injury.
	WARNING:	Indicates a potentially hazardous situation, which, if not avoided, could result in death or serious injury.
	CAUTION:	Indicates a potentially hazardous situation, which, if not avoided, may result in minor or moderate injury.
	CAUTION:	(Without Safety Alert Symbol) Indicates a situation that may result in property damage.

SYMBOL

NAME

DESIGNATION/EXPLANATION

Some of the following symbols may be used on this product. Please study them and learn their meaning. Proper interpretation of these symbols will allow you to operate the product better and safer.

	Safety Alert	Indicates a potential personal injury hazard.
	Read Operator's Manual	To reduce the risk of injury, user must read and understand operator's manual before using this product.
	Eye Protection	Always wear eye protection with side shields marked to comply with ANSI Z87.1.
	No Hands Symbol	Failure to keep your hands away from the blade will result in serious personal injury.
	Wet Conditions Alert	Do not expose to rain or use in damp locations.
V	Volts	Voltage
A	Amperes	Current
Hz	Hertz	Frequency (cycles per second)
min	Minutes	Time
~	Alternating Current	Type of current
n_0	No Load Speed	Rotational speed, at no load
	Class II Tool	Double-insulated construction
.../min	Per Minute	Revolutions, strokes, surface speed, orbits etc., per minute

ELECTRICAL

DOUBLE INSULATION

Double insulation is a concept in safety in electric power tools, which eliminates the need for the usual three-wire grounded power cord. All exposed metal parts are isolated from the internal metal motor components with protecting insulation. Double insulated tools do not need to be grounded.

WARNING:

The double insulated system is intended to protect the user from shock resulting from a break in the tool's internal wiring. Observe all normal safety precautions to avoid electrical shock.

NOTE: Servicing of a tool with double insulation requires extreme care and knowledge of the system and should be performed only by a qualified service technician. For service, we suggest you return the tool to your nearest authorized service center for repair. Always use original factory replacement parts when servicing.

ELECTRICAL CONNECTION

This tool has a precision-built electric motor. It should be connected to a **power supply that is 120 volts, AC only (normal household current), 60 Hz**. Do not operate this tool on direct current (DC). A substantial voltage drop will cause a loss of power and the motor will overheat. If the tool does not operate when plugged into an outlet, double-check the power supply.

EXTENSION CORDS

When using a power tool at a considerable distance from a power source, be sure to use an extension cord that has the capacity to handle the current the tool will draw. An undersized cord will cause a drop in line voltage, resulting in overheating and loss of power. Use the chart to determine the minimum wire size required in an extension cord. Only round jacketed cords listed by Underwriter's Laboratories (UL) should be used.

When working outdoors with a tool, use an extension cord that is designed for outside use. This type of cord is designated with "W-A" or "W" on the cord's jacket.

Before using any extension cord, inspect it for loose or exposed wires and cut or worn insulation.

**Ampere rating (on tool data plate)

	0-2.0	2.1-3.4	3.5-5.0	5.1-7.0	7.1-12.0	12.1-16.0
Cord Length	Wire Size (A.W.G.)					
25'	16	16	16	16	14	14
50'	16	16	16	14	14	12
100'	16	16	14	12	10	—

**Used on 12 gauge - 20 amp circuit.

NOTE: AWG = American Wire Gauge

WARNING:

Keep the extension cord clear of the working area. Position the cord so that it will not get caught on lumber, tools or other obstructions while you are working with a power tool. Failure to do so can result in serious personal injury.

WARNING:

Check extension cords before each use. If damaged replace immediately. Never use tool with a damaged cord since touching the damaged area could cause electrical shock resulting in serious injury.

FEATURES

PRODUCT SPECIFICATIONS

Stroke Length.....0.59 in.
No Load Speed 3,000 (SPM)

Input120 V, AC Only, 60 Hz, 3.0 Amp
Weight 4.4 lbs.

KNOW YOUR JIG SAW

See Figure 1, page 13.

The safe use of this product requires an understanding of the information on the tool and in this operator's manual as well as a knowledge of the project you are attempting. Before use of this product, familiarize yourself with all operating features and safety rules.

BEVELING BASE

The base can be angled 45° left or right for a bevel cut.

BLOWER/VACUUM SWITCH

The jig saw is equipped with a convenient switch for managing dust while cutting. First setting blows air to clean line-of-sight while cutting. Second setting turns off air to the line-of-sight air vent to allow the dust to be vacuumed up through the rear dust port.

HEX KEY STORAGE

A hex key has been provided for use in loosening and adjusting no-mar base plate. When not in use it can be stored in the hex key strap.

LED LIGHT

The LED light, located above the blade clamp, illuminates when the switch is turned on. This provides extra light in the cutting area for increased visibility.

NO-MAR BASE PLATE

A no-mar base plate has been included with the jig saw. The plate protects delicate surfaces from being scratched by the metal jig saw base.

ORBITAL FUNCTION WITH ON/OFF SWITCH

The orbital function on/off switch allows user control of the orbital movement of the saw blade.

OVERMOLD GRIP AREA

The grip area is overmold for improved grip and comfort.

RAPID CHANGE BLADE CLAMP

The rapid change blade clamp allows for changing saw blades without the need for separate tools.

RECESSED BLADE SUPPORT ROLLER

The recessed blade support roller ensures accurate cutting during orbital and non-orbital cutting.

SLIDE SWITCH

The slide switch features a soft start to prolong motor life and gives the operator more control when starting the jig saw.

VACUUM PORT

1-1/4 in. vacuum port conveniently fits a standard hose size for a cleaner work area.

ASSEMBLY

UNPACKING

This product has been shipped completely assembled.

- Carefully remove the product and any accessories from the box. Make sure that all items listed in the packing list are included.

WARNING:

Do not use this product if it is not completely assembled or if any parts appear to be missing or damaged. Use of a product that is not properly and completely assembled could result in serious personal injury.

-
- Inspect the product carefully to make sure no breakage or damage occurred during shipping.
 - Do not discard the packing material until you have carefully inspected and satisfactorily operated the product.
 - If any parts are damaged or missing, please call 1-866-539-1710 for assistance.

PACKING LIST

Jig Saw
T-Shank Blades (1 - wood, 1 - metal)
Hex Key
Tool Bag
Operator's Manual

WARNING:

If any parts are damaged or missing do not operate this product until the parts are replaced. Use of this product with damaged or missing parts could result in serious personal injury.

WARNING:

Do not attempt to modify this product or create accessories not recommended for use with this product. Any such alteration or modification is misuse and could result in a hazardous condition leading to possible serious personal injury.

WARNING:

Do not connect to power supply until assembly is complete. Failure to comply could result in accidental starting and possible serious personal injury.

OPERATION

WARNING:

Do not allow familiarity with this product to make you careless. Remember that a careless fraction of a second is sufficient to inflict severe injury.

WARNING:

Always wear eye protection with side shields marked to comply with ANSI Z87.1. Failure to do so could result in objects being thrown into your eyes resulting in possible serious injury.

WARNING:

Do not use any attachments or accessories not recommended by the manufacturer of this tool. The use of attachments or accessories not recommended can result in serious personal injury.

WARNING:

To avoid possible serious injury, keep hands and fingers away from the area between the gear housing and saw blade clamp.

OPERATION

APPLICATIONS

You may use this product for the purpose listed below:

- Sawing non-ferrous metal, sheet steel, wood, plastic, and similar materials.

STARTING/STOPPING THE SAW

See Figure 2, page 13.

WARNING:

Before connecting your jig saw to a power supply, always turn the jig saw off. Failure to do so could result in accidental starting resulting in serious personal injury.

- To turn the jig saw **ON**, push the slide switch to the LEFT or **ON (I)** position.

NOTE: The saw has a soft start feature. The jig saw will start at a slow speed and gradually get up to full speed.

- To turn the jig saw **OFF**, push the slide switch to the RIGHT **OFF (O)** position.

NOTE: Slide switch can be turned off with opposite hand, while maintaining grip with your primary hand.

LED LIGHT



See Figure 2, page 13.

The LED light illuminates when the slide switch is in the **ON (I)** position to give you a clear view of the cut line on your work surface.

ORBITAL FUNCTION WITH ON/OFF SWITCH

See Figure 3, page 13.

This feature can be turned on and off. Orbital function provides faster, more efficient cutting. With orbital function, the blade cuts through your work in the upstroke but does not drag across your work in the downstroke.

- Unplug the saw.
- Push switch end with orbital symbol () left to turn on orbital function.
- Push switch with non-orbital symbol () right to turn orbital function off.

BLOWER/VACUUM MODE

See Figures 4 - 5, pages 13 - 14.

For dustless operation, the saw can be operated in either blower mode to clear dust from cutting area or vacuum mode to collect dust.

To operate in dust blower mode:

- Unplug the saw.
- Push blower/vacuum switch DOWN for blower mode. Dust will be blown from line of cut.

To operate in vacuum mode:

- Unplug the saw.
- Push blower/vacuum switch UP to vacuum position.

- Attach a 1 1/4 in. diameter vacuum adapter inside the vacuum port at rear of saw.
- Plug in saw.
- Turn on vacuum.
- Begin cutting.

INSTALLING JIG SAW BLADES

See Figure 6, page 14.

- Unplug the saw.
- Lift the rapid change blade clamp lever until it stops.
- Holding the rapid change blade clamp lever up, insert the saw blade as far as possible into the slot in the blade clamp body and roller blade support.
- Check to make sure the back of the saw blade is centered in the groove of the blade clamp body and roller blade support.
- Release the rapid change blade clamp lever. Make sure the blade is securely in place.

REMOVING JIG SAW BLADES

See Figure 6, page 14.

- Unplug the saw.
- Allow blade to cool.
- Lift the rapid change blade clamp until it stops.
- Holding the rapid change blade clamp up, remove the saw blade.

NOTE: The jig saw is designed to use T-shank and U-shank blades.

NOTE: If blade becomes jammed, a light tap on the end of the blade with a block of wood while holding the blade clamp lever up, will release the blade.

GENERAL CUTTING

See Figure 7, page 14.

Rest the front of the saw base on the workpiece and align cutting edge of the blade with the line on the workpiece. Make sure the power cord is out of your way and not in the line of cut. Start your saw and move it forward on the work surface. Apply downward pressure to keep the saw steady and only enough forward pressure to keep the blade cutting.

CAUTION:

Do not force the saw. Forcing the saw may overheat the motor and break saw blades. Use clamps or another practical way to secure and support the workpiece to a stable platform.

STRAIGHT CUTTING

See Figure 8, page 14.

A straight cut can be made by clamping a piece of wood or straight edge to the workpiece and guiding the edge of the saw against it. Make the cut from one direction only. Don't cut halfway and complete the cut from the opposite end.

OPERATION

SCROLL CUTTING

See Figure 9, page 14.

Scroll cuts can be made with the saw by guiding the direction of the cut with applied pressure on the saw as shown.

NOTE: Works best with blades designed specifically for scroll cutting.

CAUTION:

Excessive side pressure to the blade could result in broken blades or damage to the material being cut.

BEVEL CUTTING

See Figures 10 - 11 page 14.

Bevel cutting angles may be adjusted from 0° to 45° right or left. Angles for cuts from 0° to 45° in 15° increments are marked on a scale under the motor assembly. An arrow under the motor assembly provides an indicator at each of the 15° increments. A protractor is recommended for making accurate cuts.

- Unplug the saw.
- Unlock the base by inserting the hex key into base adjustment screw located on bottom of saw and turning counter-clockwise to loosen.
- Rotate base to desired angle.
- Once the desired angle is reached, tighten by inserting the hex key into base adjustment screw and turning clockwise.

NOTE: If edge guide wing screw blocks desired angle, move screw to hole on other side of base plate.

PLUNGE CUTTING

See Figure 12, page 15.

WARNING:

To avoid loss of control, broken blades, or damage to the material being cut, always use extreme caution when making plunge cuts. It is not recommended to plunge cut materials other than wood.

- Mark the line of cut clearly on the workpiece.
- Tilt the saw forward so that it rests on the front edge of the base and blade will not come in contact with the workpiece when the saw is turned on.
- Make sure the blade is inside the area to be cut.
- Start the saw and slowly lower the blade into the workpiece until the blade cuts through the wood.
- Continue lowering the blade into the workpiece until the base rests flat on the work surface, then move the saw forward to complete the opening.
- Use only the 7 teeth per inch blade for this type of cut.

METAL CUTTING

See Figure 13, page 15.

NOTE: Orbital mode should be **OFF** for metal cutting.

Many kinds of metals can be cut with the saw. Be careful not to twist or bend the blades. **Do not force.** If the blade chatters or vibrates excessively, use a finer-tooth metal-cutting blade. If blade heats excessively, reduce push force. If blade teeth become filled or clogged when cutting soft metals, such as aluminum, use a coarser-tooth blade or reduce push force. We recommend use of oil when cutting metals to keep blades cool, increase cutting action, and prolong blade life. Clamp the work firmly and saw close to the clamping point to eliminate any vibration of the work being cut.

When cutting conduit, pipe, or angle iron, clamp work in a vise if possible and saw close to the vise. To cut thin sheet materials, “sandwich” the material between hardboard or plywood and clamp the layers to eliminate vibration and material tearing. By doing this, the material will be cut smoothly. Lay out your pattern or line of cut on top of the “sandwich.”

NOTE: When cutting metal, keep exposed portion of saw blade clean and free of metal chips by wiping frequently with an oily cloth. Use extreme caution in disposing of oily cloth after completion of job to prevent potential fire hazard.

OPTIONAL ANTI-SPLINTERING INSERT (NOT INCLUDED)

See Figure 14, page 15.

An anti-splintering insert (not included) is especially useful when cutting plywood. It should only be used when making straight cuts or circle cuts. **It is not for bevel cutting or plunge cutting.**

NOTE: The non-orbital setting also helps reduce splintering when cutting plywood.

To attach and remove the anti-splintering insert:

- Unplug the saw.
- Set the cutting angle at 0°.
- To attach, slide the insert back onto the tabs on the front of the shoe. Make sure it snaps securely into place.
- To remove, grasp the anti-splintering insert and pull straight out.
- Plug in saw.

OPTIONAL EDGE GUIDE (NOT INCLUDED)

See Figure 15, page 15.

An optional edge guide is available for use with the saw. It can be used for making cross cuts and rip cuts.

- Unplug the saw.
- Insert the arm through the two slots in the base of the saw as shown.
- Adjust edge guide to the desired width and lock in place with the edge guide wing screw.
- Plug in saw.

MAINTENANCE

WARNING:

When servicing use only identical RIDGID replacement parts. Use of any other parts may create a hazard or cause product damage.

WARNING:

Always wear eye protection with side shields marked to comply with ANSI Z87.1. Failure to do so could result in objects being thrown into your eyes resulting in possible serious injury.

GENERAL MAINTENANCE

Avoid using solvents when cleaning plastic parts. Most plastics are susceptible to damage from various types of commercial solvents and may be damaged by their use. Use clean cloths to remove dirt, dust, oil, grease, etc.

WARNING:

Do not at any time let brake fluids, gasoline, petroleum-based products, penetrating oils, etc., come in contact with plastic parts. Chemicals can damage, weaken or destroy plastic which may result in serious personal injury.

Electric tools used on fiberglass material, wallboard, spackling compounds, or plaster are subject to accelerated wear and possible premature failure because the fiberglass chips and grindings are highly abrasive to bearings, brushes, commutators, etc. Consequently, we do not recommended using this tool for extended work on these types of materials. However, if you do work with any of these materials, it is extremely important to clean the tool using compressed air.

ACCESSORIES

Look for these accessories where you purchased this product:

- Edge Guide Kit..... 201754003
 - Anti-Splintering Insert..... 521976001
-

WARNING:

Current attachments and accessories available for use with this tool are listed above. Do not use any attachments or accessories not recommended by the manufacturer of this tool. The use of attachments or accessories not recommended can result in serious personal injury.

LUBRICATION

All of the bearings in this product are lubricated with a sufficient amount of high grade lubricant for the life of the unit under normal operating conditions. Therefore, no further lubrication is required.

CHECKING/REPLACING EXTERNAL BRUSHES

See Figure 16, page 15.

NOTE: The saw is equipped with externally accessible brushes.

- Unplug the saw.

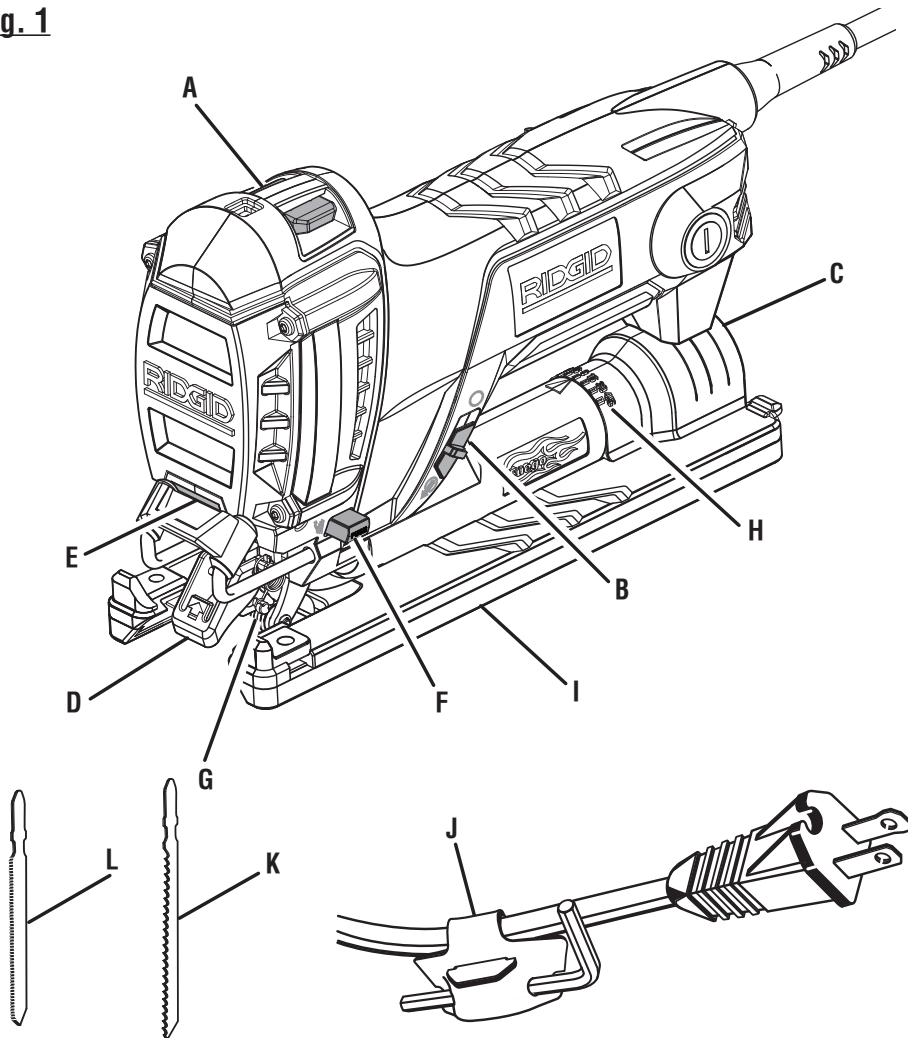
NOTE: Brush caps are located on each side of the motor housing.

- Remove brush caps using a screwdriver.
- Remove brush assemblies.
- Check for wear. Replace both brush assemblies when either has less than 1/4 in. length of carbon remaining.

NOTE: Do not replace one side without replacing the other.

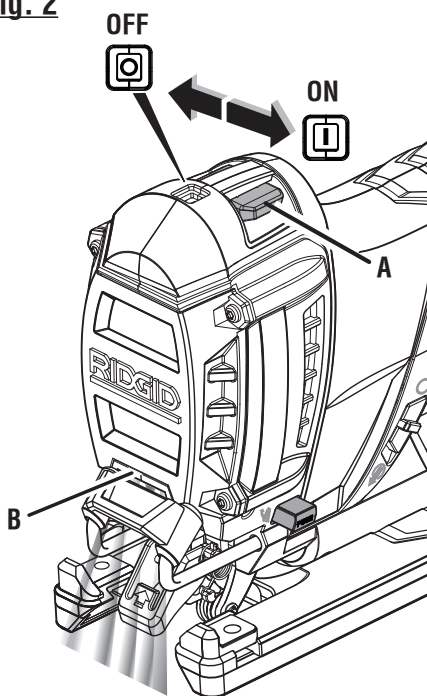
- Reassemble using new brush assemblies. Make sure curvature of brush matches curvature of motor and that brush moves freely in brush tube.
- Reassemble by reversing the steps listed above.
- Tighten all brush caps securely. **Do not** over tighten.

Fig. 1



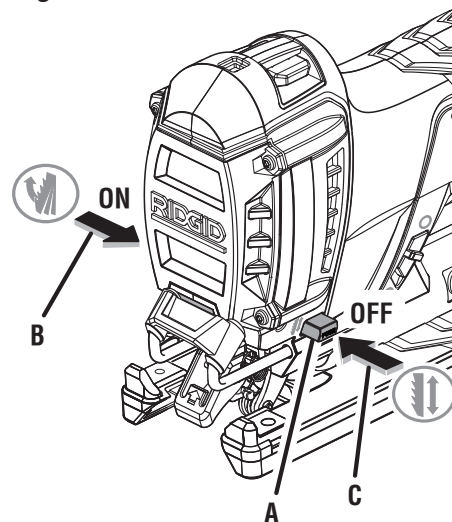
- A - On/Off slide switch (commutateur à glissière marche/arrêt, deslice el interruptor de encendido/apagado)
- B - Blower/vacuum switch (commutateur de soufflant/aspirateur, interruptor de soplador/aspiradora)
- C - Vacuum port (orifice d'aspiration, puerto de la aspiradora)
- D - Rapid change blade clamp (porte-lame à changement rapide, mordaza de cambio rápido de hoja)
- E - LED light (lampe à DEL, diodo lumineux)
- F - Orbital function ON/OFF switch (fonction orbitale avec interrupteur de marche/arrêt, función orbital con el interruptor de encendido/apagado)
- G - Blade clamp body (fente du serre-lame, cuerpo de la mordaza de la hoja)
- H - Bevel scale (échelle de biseau, escala de bisel)
- I - No-mar base plate (plaque de protection, placa protectora de la base)
- J - Hex key storage (logement de clé hexagonale, almacenamiento la llave hexagonal)
- K - Saw blade, wood (lame de scie, bois; hoja de la sierra, madera)
- L - Saw blade, metal (lame de scie, métal; hoja de la sierra, metal)

Fig. 2



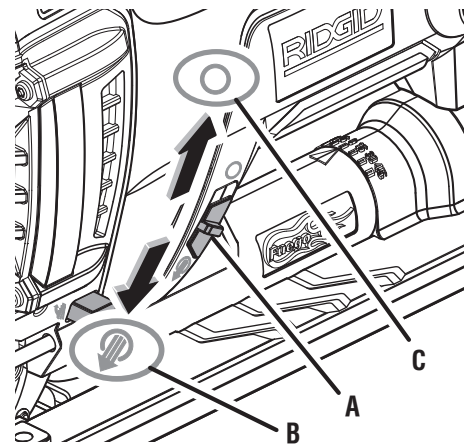
- A - Slide switch (commutateur à glissière, deslice el interruptor)
- B - LED light (lampe à DEL, diodo lumineux)

Fig. 3



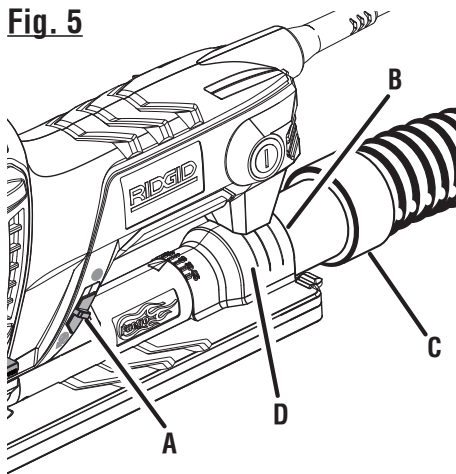
- A - Orbital function ON/OFF switch (fonction orbitale avec interrupteur de marche/arrêt, función orbital con el interruptor de encendido/apagado)
- B - Orbital function ON (fonction orbitale marche, función orbital encendido)
- C - Orbital function OFF (fonction orbitale arrêt, función orbital apagado)

Fig. 4



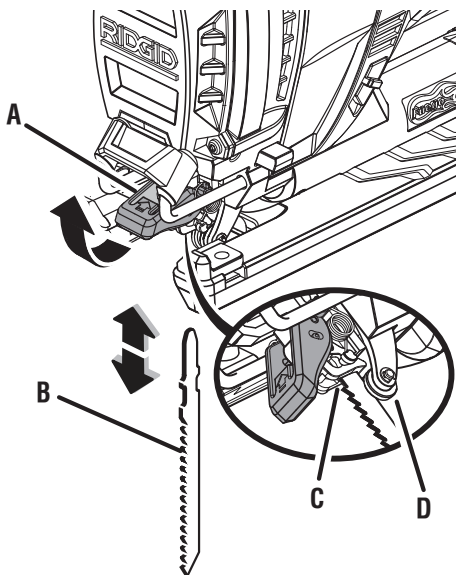
- A - Blower/vacuum switch (commutateur de soufflant/aspirateur, interruptor de soplador/aspiradora)
- B - For blow mode (mode « soufflante », modo soplador de polvo)
- C - For vacuum mode (mode « aspirateur », modo aspiradora)

Fig. 5



- A - Blower/vacuum switch (interrupteur soufflante/aspirateur, interruptor de sopladora/aspiradora)
- B - Vacuum port opening (ouverture de l'orifice d'aspiration, abertura del puerto de la aspiradora)
- C - Vacuum hose (tuyau d'aspirateur, manguera de aspiradora)
- D - 1-1/4 in. vacuum port (orifice d'aspiration de 31,8 mm [1 1/4 po], puerto de la aspiradora de 31,8 mm [1-1/4 pulg.])

Fig. 6



- A - Rapid change blade clamp lever (porte-lame à changement rapide, mordaza de cambio rápido de la hoja)
- B - Saw blade (lame de scie, hoja de la sierra)
- C - Blade clamp body (fente du serre-lame, cuerpo de la mordaza de la hoja)
- D - Blade support roller (rouleau de support, soporte de rodillo para la hoja)

Fig. 7

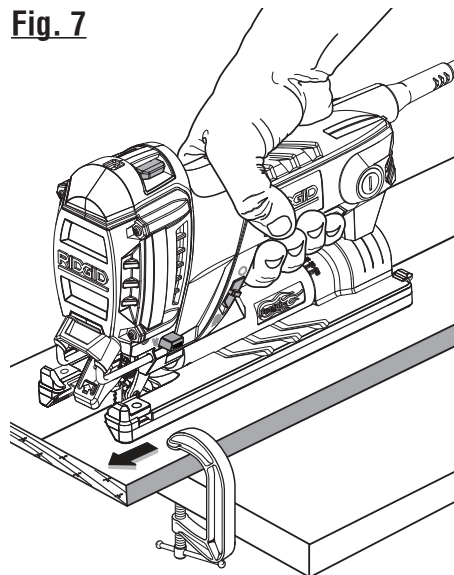


Fig. 8

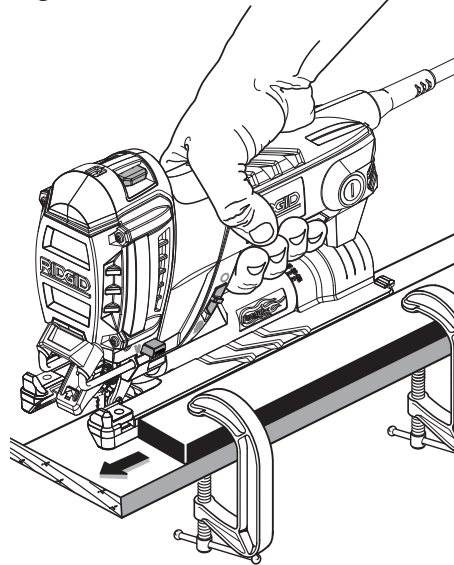


Fig. 9

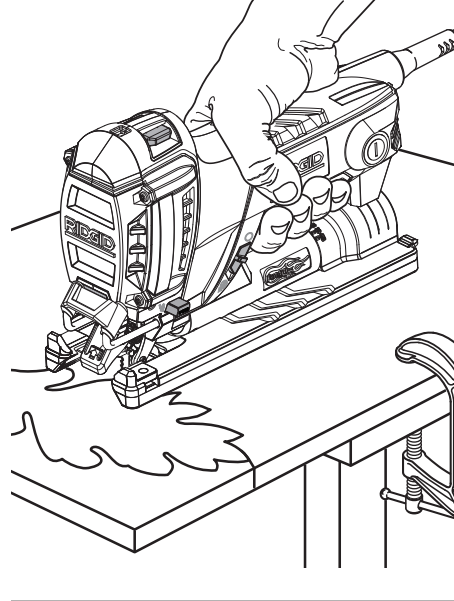
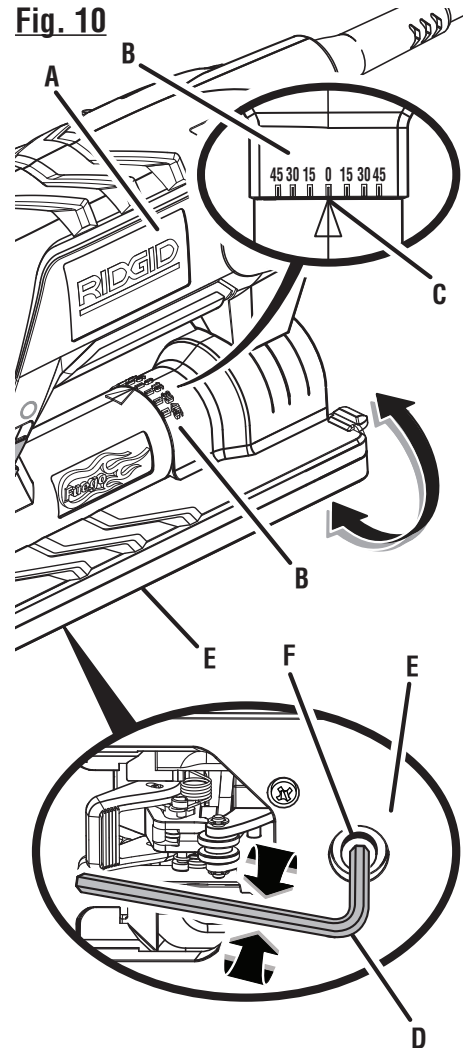
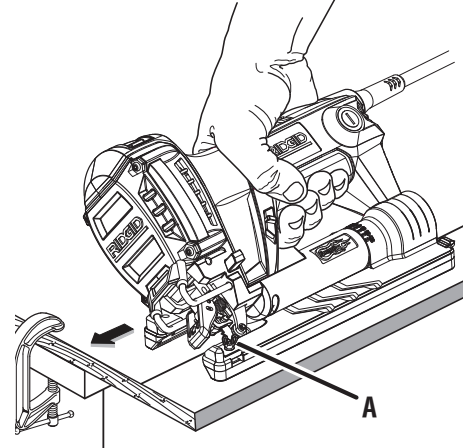


Fig. 10



- A - Motor housing (boîtier du moteur, alojamiento del motor)
- B - Bevel scale (échelle de biseau, escala de bisel)
- C - Arrow (flèche, flecha)
- D - Hex key (clé hex, llave hexagonal)
- E - No-mar base plate (plaque de protection, placa protectora de la base)
- F - Base adjustment screw (vis de réglage de la base, tornillo de ajuste de la base)

Fig. 11



- A - Wing screw (vis à oreilles, tornillo de mariposa)

Fig. 12

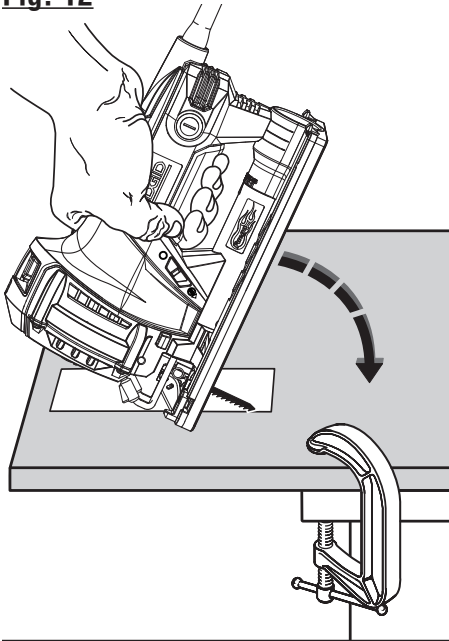


Fig. 13

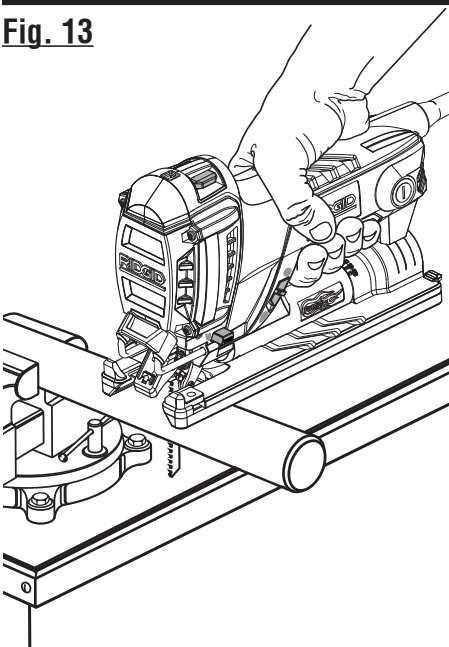
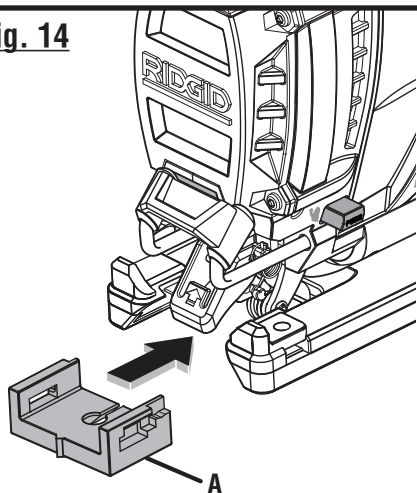
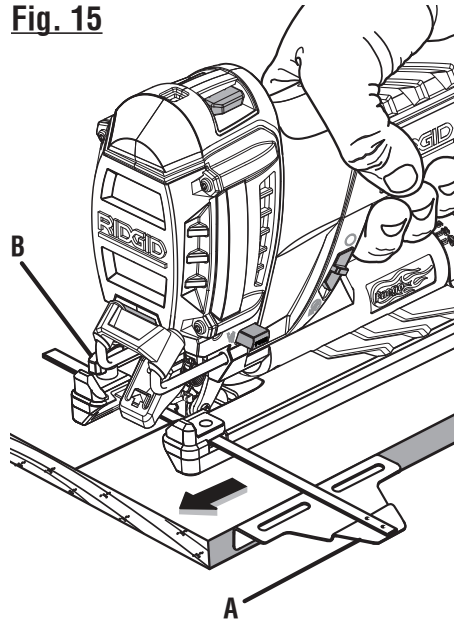


Fig. 14



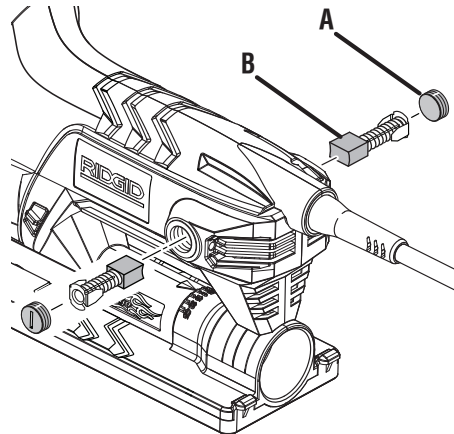
A - Optional anti-splinter insert (garde anti-éclatement en option, protección anti-astillamiento)

Fig. 15



A - Optional edge guide kit (ensemble de guide de chant option, juego de guías para cantos optativa)
B - Optional wing screw (vis à oreilles en option, tornillo de mariposa optativa)

Fig. 16



A - Brush cap (couvercle de balai, tapa de la escobilla)
B - Brush assembly (balai, conjunto de la escobilla)