

## Comfort probe

Application information



---

## Application

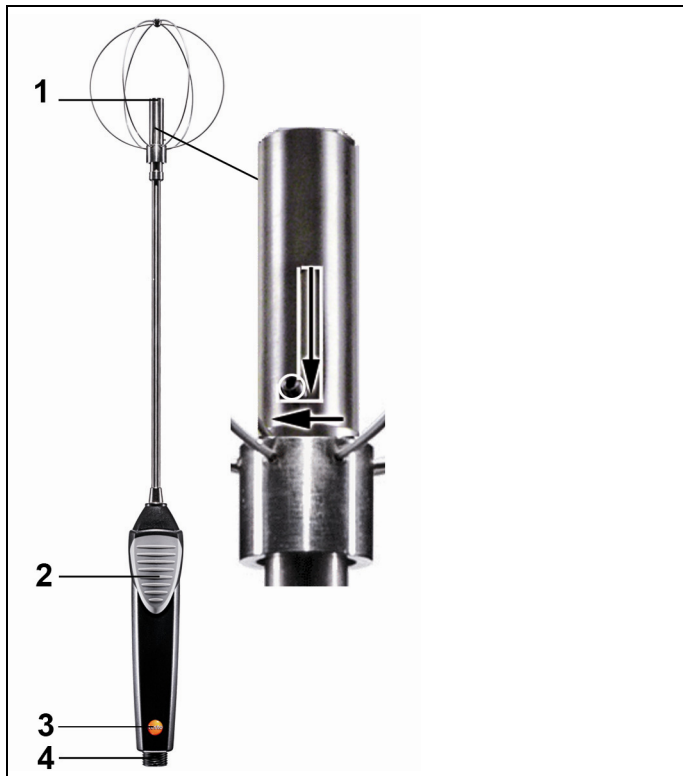
The comfort probe 0628 0143 is used in conjunction with testo 480 to determine the air velocity and draught risk in accordance with DIN EN 13779.

---

**i** Observe the information on the measuring process in the instrument instruction manual.

---

## Overview



---

## 1 Sensors

### CAUTION

#### Damage to sensor!

- > Do not touch the sensor.
- > Cover over with the protective sleeve after the measurement.

## 2 Handle

## 3 Flow direction (flow against testo logo)

## 4 Connection for plug-in head cable (art. no. 0430 0100)

### Technical data

Feature	Values
Flow measuring range	0 to +5 m/s
Temperature measuring range	0 to 50 °C (probe head)
Operating range, handle	0 to 40 °C
Accuracy (at nominal temperature 22 °C) ± 1 digit	±0.5 °C ±(0.03 m/s + 4% of meas. val.) <b>i</b> At low air velocities, slightly increased temperature display!
Adjustment conditions	Wind tunnel, adjusted in free jet Ø 350 mm, reference pressure 1013 hPa, flow against testo logo



The digital probe allows measurement values to be processed directly in the probe. This technology eliminates instrument measurement uncertainty.

For calibration, the probe alone (without the hand instrument) can be sent away.

Calculating the determined calibration data in the probe generates a zero-error display.