

## Data Sheet

### 1098 & 1100 Siphons

#### FEATURES

- Dissipates elevated live steam temperature
- Rugged design for direct mounting
- Reduces process temperature to protect attached instrument

#### TYPICAL USES

- Chemical and petrochemical
- Oil and gas
- Pulp and paper
- Power

#### SPECIFICATIONS

Process Conn:	1098: ¼ NPT Male, ½ NPT Male 1100: ¼ NPT Male
Instrument Conn:	1098: ¼ NPT Male, ¼ NPT Female, ½ NPT Male, ½ NPT Female 1100: ¼ NPT Male
Max Allowable Working Pressure:	See page 3 for (mawp) maximum allowable working pressures

#### WETTED COMPONENTS

1098	Black steel, brass, 106 seamless steel, 213 seamless steel & 316 seamless SS
1100	Black steel, brass, SS



**1098**  
Coil Siphon

**1100**  
Pig Tail Siphon

#### KEY BENEFITS

- Protects instrument from elevated temperatures
- Stem mount instrument to process

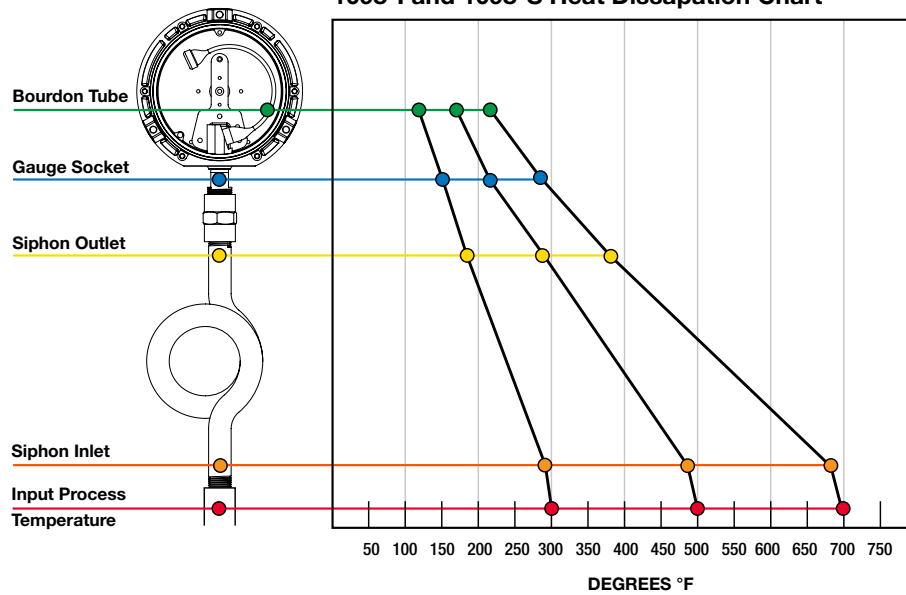
**Data Sheet**

**1098 & 1100 Siphons**

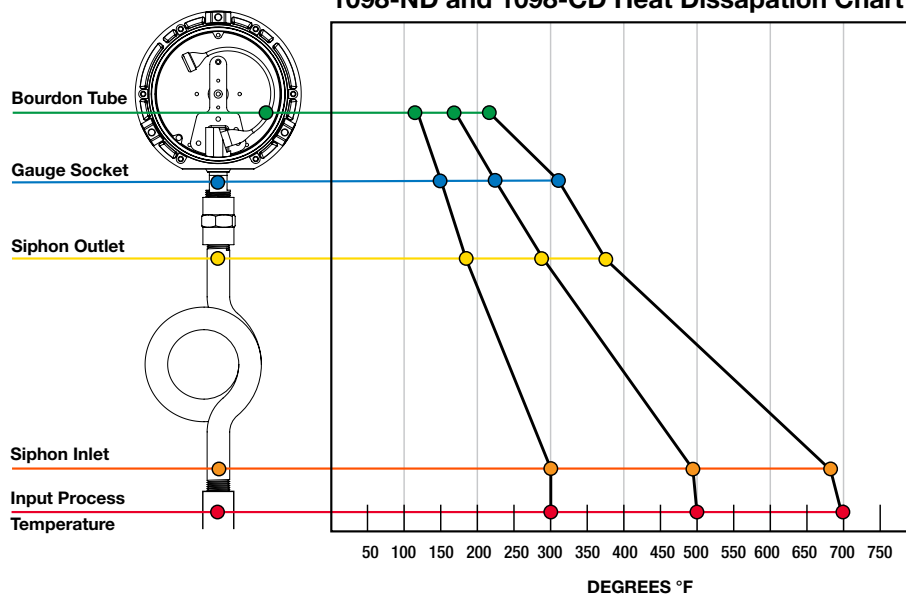
**SIPHON HEAT DISSIPATION CHARTS**

These graphs represents the heat dissipation based on results of a specific laboratory test. These results may vary in the field based on multiple factors such as ambient temperature, type of process media and/or velocity. This data set is to be used as a reference point only. These test results are based on an ambient temperature of 68°F.

**1098-I and 1098-S Heat Dissipation Chart**



**1098-ND and 1098-CD Heat Dissipation Chart**



# Data Sheet

## 1098 & 1100 Siphons

ORDERING CODE		Example:	02	1098	S	25	X5G
<b>Process Connection (process and instrument connection size must be the same size)</b>							
02 - ¼ NPT Male			02				
04 - ½ NPT Male (1098 only)							
<b>Model</b>							
1098 Coil pipe				1098			
1100 Pig tail							
Material	MAWP	Pipe Schedule					
I - Black steel pipe (1098 6½" or 1100 6⅝" long)	500 psi at 400°F (204°C)	40					
IL - Black steel pipe 8" long (1100 only)	500 psi at 400°F (204°C)	40					
IN - Black steel pipe angle (1100 only)	500 psi at 400°F (204°C)	40					
B - Brass (1098 6½" or 1100 5⅝" long)	250 psi at 400°F (204°C)	40					
BL - Brass 8" (1100 only)	250 psi at 400°F (204°C)	40					
A - SS (1100 only)	500 psi at 400°F (204°C)	40					
S - ASTM A-106 seamless steel, Grade A (1098 only)	338 psi at 1,000°F to 3,360 psi from -20°F to 400°F (204°C)	80			S		
SD - ASTM A-106 seamless steel, Grade A (1098 only w/½ NPT)	420 psi at 1,000°F to 3,740 psi from -20°F to 400°F (204°C)	160					
CD - ASTM A-213 seamless steel, Grade T 22 (1098 only w/½ NPT)	1,048 psi at 1,200°F to 9,550 psi from -20°F to 400°F (204°C)	XXS					
NS - Seamless SS, Type 316 (1098 only w/½ NPT)	294 psi at 1,500°F to 3,981 psi from -20°F to 100°F (38°C)	80					
ND - Seamless SS, Type 316 (1098 only w/½ NPT)	336 psi at 1,500°F to 5,840 psi from -20°F to 100°F (38°C)	160					
<b>Instrument Connection (process and instrument connection size must be the same size)</b>							
02 - ¼ NPT Male							
04 - ½ NPT Male (1098 only)							
25 - ¼ NPT Female						25	
50 - ½ NPT Female (1098 only)							
<b>Options (if choosing an option(s) must include an "X")</b>							
NH - SS tag wired to siphon							X _ _
5G - Siphon attached to instrument, (siphon must mate with instrument)							5G

# Data Sheet

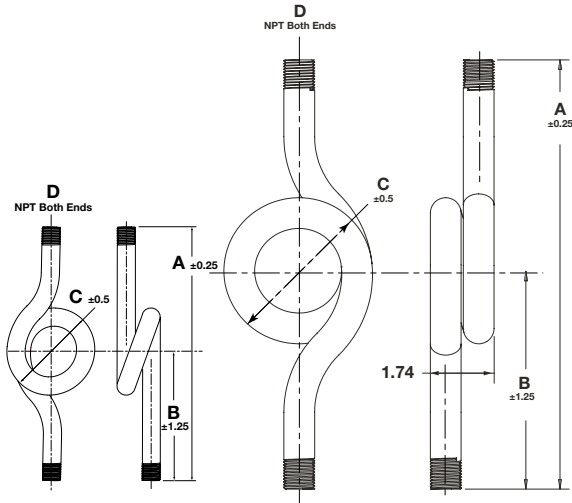
## 1098 Siphons

### DIMENSIONS

For reference only, consult Ashcroft for specific dimensional drawings.

1098 Siphon - ¼ NPT

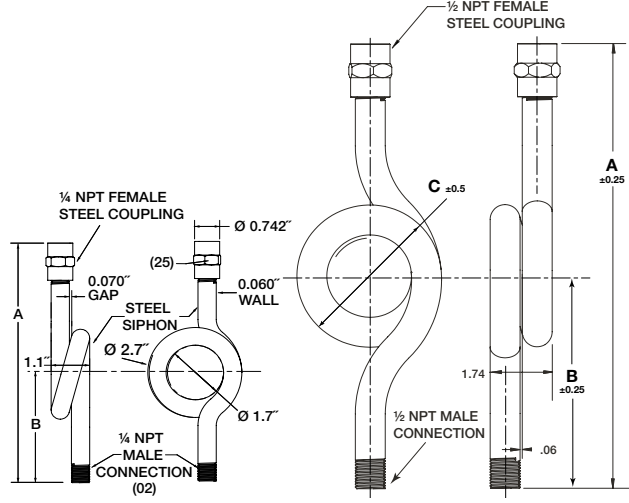
1098 Siphon - ½ NPT



1098	A	B	C	D
1098B	6½	3¼	2½	¼ NPT
1098I	6½	3¼	2½	¼ NPT
1098BT	6½	3¼	2½	¼ NPT
1098S	6½	3¼	2½	¼ NPT
1098S	11½	5¾	3⅞	½ NPT
1098 SD	11½	5¾	3⅞	½ NPT
1098ND	11½	5¾	3⅞	½ NPT
1098CD	11½	5¾	3⅞	½ NPT
1098M	11½	5¾	3⅞	½ NPT
1098NS	11½	5¾	3⅞	½ NPT

1098 Siphon - ¼ NPT Female

1098 Siphon- ½ NPT Female



1098	Instrument Connection	Process Connection	A	B	C
1098B	¼ NPT Female	¼ NPT Male	7	3¼	2½
1098I	¼ NPT Female	¼ NPT Male	7	3¼	2½
1098BT	¼ NPT Female	¼ NPT Male	7	3¼	2½
1098S	¼ NPT Female	¼ NPT Male	7	3¼	2½
1098S	½ NPT Female	½ NPT Male	12½	5¾	5⅞
1098D	½ NPT Female	½ NPT Male	12½	5¾	5⅞
1098ND	½ NPT Female	½ NPT Male	12½	5¾	5⅞
1098CD	½ NPT Female	½ NPT Male	12½	5¾	5⅞
1098M	½ NPT Female	½ NPT Male	12½	5¾	5⅞
1098NS	½ NPT Female	½ NPT Male	12½	5¾	5⅞

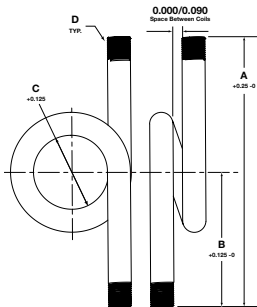
# Data Sheet

## 1100 Siphons

### DIMENSIONS

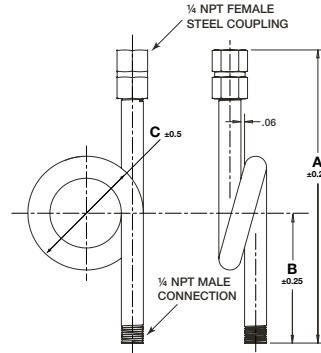
For reference only, consult Ashcroft for specific dimensional drawings.

#### 1100 Siphon - ¼ NPT



1100	A	B	C	D
1100A	6 <sup>5</sup> / <sub>8</sub>	3 <sup>5</sup> / <sub>16</sub>	1 <sup>7</sup> / <sub>8</sub>	¼ NPT
1100B	5 <sup>5</sup> / <sub>8</sub>	2 <sup>13</sup> / <sub>16</sub>	2 ¼	¼ NPT
1100BL	8 <sup>1</sup> / <sub>4</sub>	4 <sup>1</sup> / <sub>8</sub>	2 <sup>1</sup> / <sub>8</sub>	¼ NPT
1100C	5 <sup>5</sup> / <sub>8</sub>	2 <sup>13</sup> / <sub>16</sub>	2 ¼	¼ NPT
1100I	6 <sup>5</sup> / <sub>8</sub>	3 <sup>5</sup> / <sub>16</sub>	1 <sup>7</sup> / <sub>8</sub>	¼ NPT
1100IL	8 <sup>1</sup> / <sub>4</sub>	4 <sup>1</sup> / <sub>8</sub>	2 <sup>3</sup> / <sub>8</sub>	¼ NPT

#### 1100 Siphon - ¼ NPT Female



1100	Instrument Connection	Process Connection	A	B	C
1100DA	¼ NPT Female	¼ NPT Male	7 <sup>1</sup> / <sub>4</sub>	3 <sup>15</sup> / <sub>16</sub>	1 <sup>7</sup> / <sub>8</sub>
1100B	¼ NPT Female	¼ NPT Male	6 <sup>1</sup> / <sub>4</sub>	2 <sup>13</sup> / <sub>16</sub>	2 <sup>1</sup> / <sub>4</sub>
1100BL	¼ NPT Female	¼ NPT Male	8 <sup>7</sup> / <sub>8</sub>	4 <sup>1</sup> / <sub>8</sub>	2 <sup>1</sup> / <sub>8</sub>
1100C	¼ NPT Female	¼ NPT Male	6 <sup>1</sup> / <sub>4</sub>	2 <sup>13</sup> / <sub>16</sub>	2 <sup>1</sup> / <sub>4</sub>
1100I	¼ NPT Female	¼ NPT Male	7 <sup>1</sup> / <sub>4</sub>	3 <sup>5</sup> / <sub>16</sub>	1 <sup>7</sup> / <sub>8</sub>
1100IL	¼ NPT Female	¼ NPT Male	8 <sup>7</sup> / <sub>8</sub>	4 <sup>1</sup> / <sub>8</sub>	2 <sup>3</sup> / <sub>8</sub>