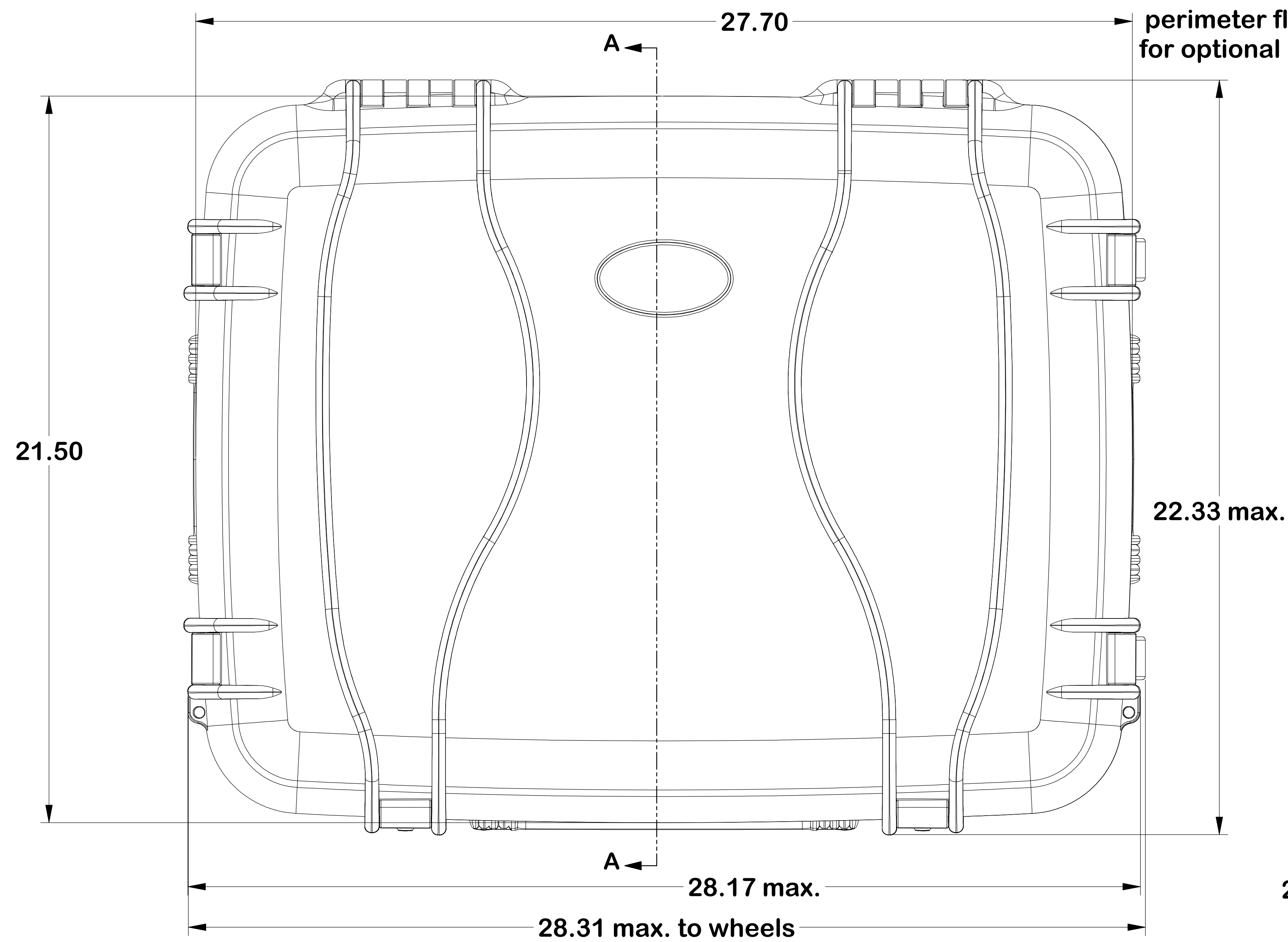
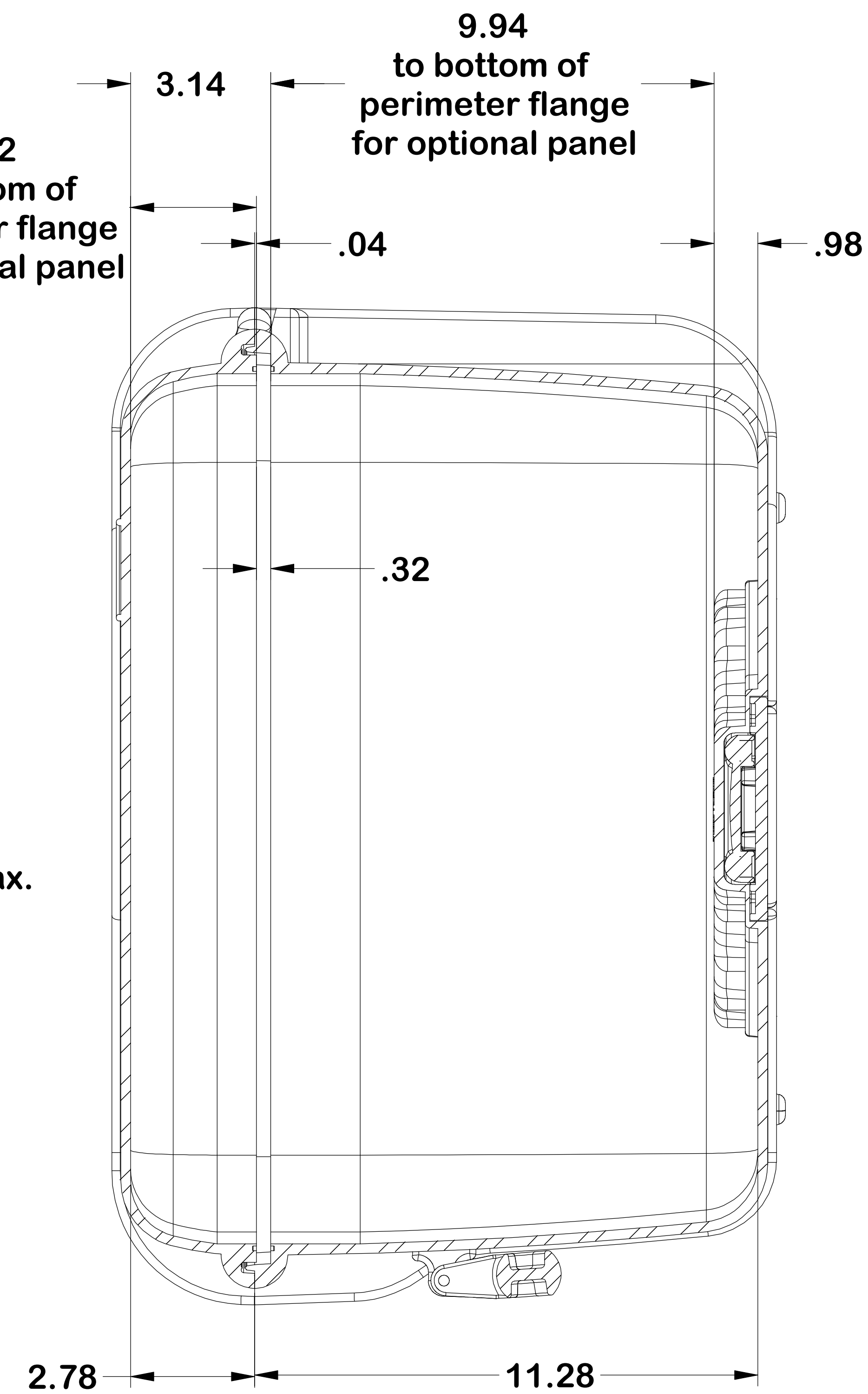


# SERPAC R-1220

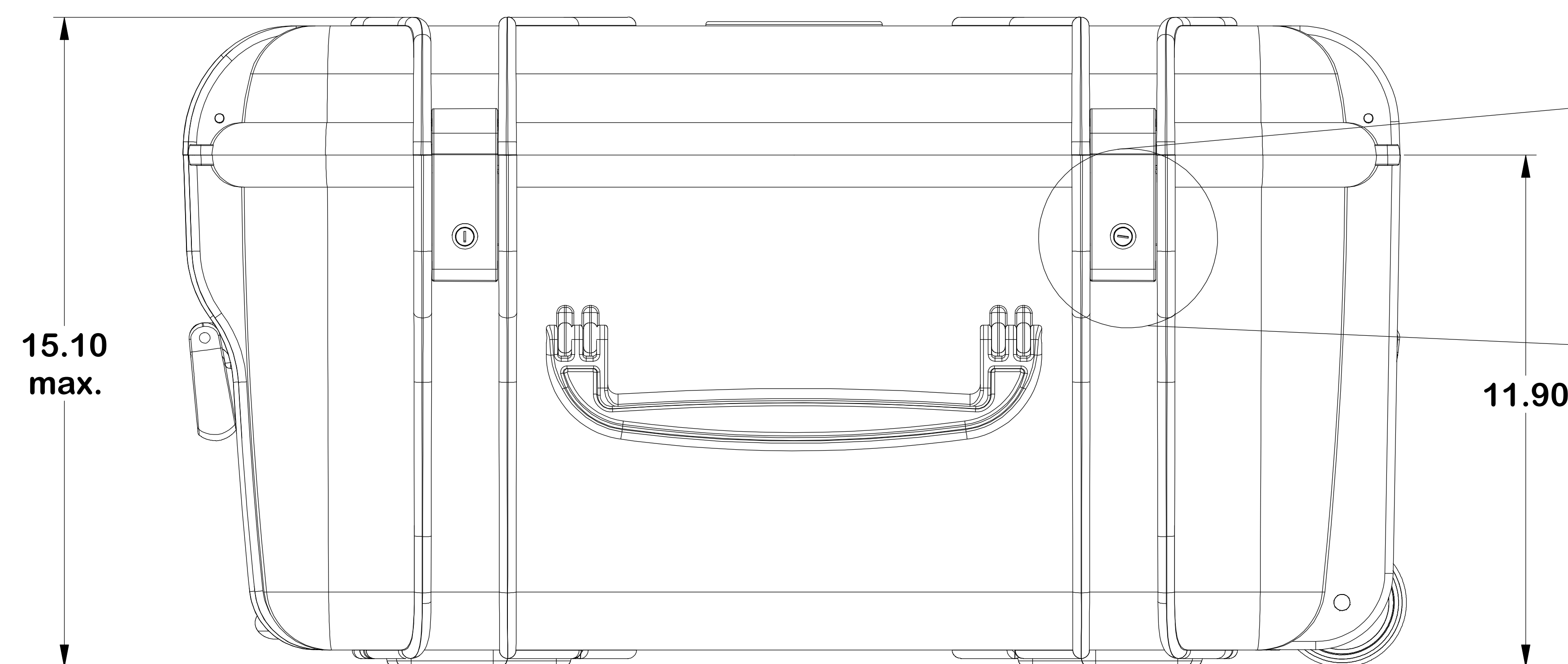
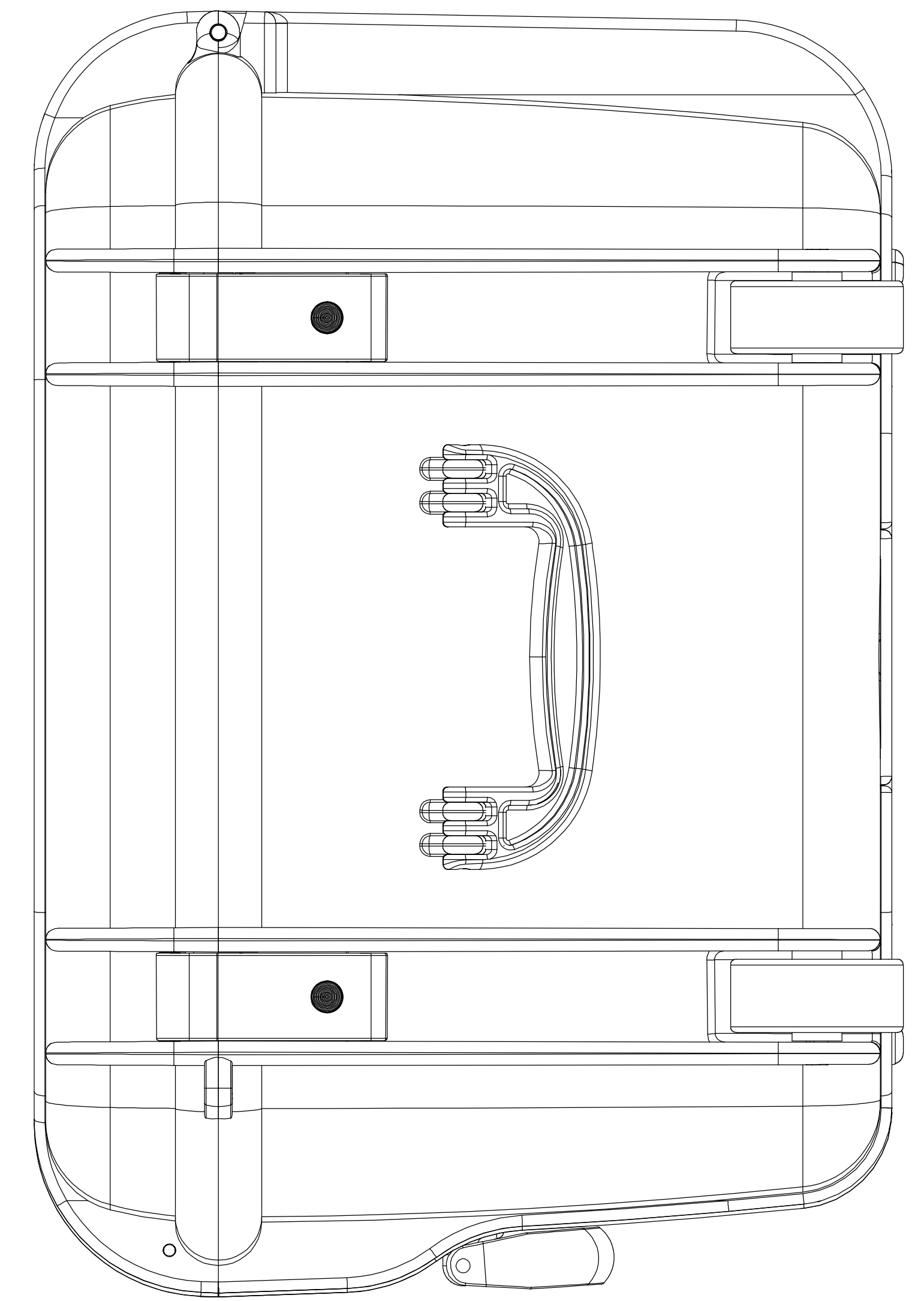
Protective Cases



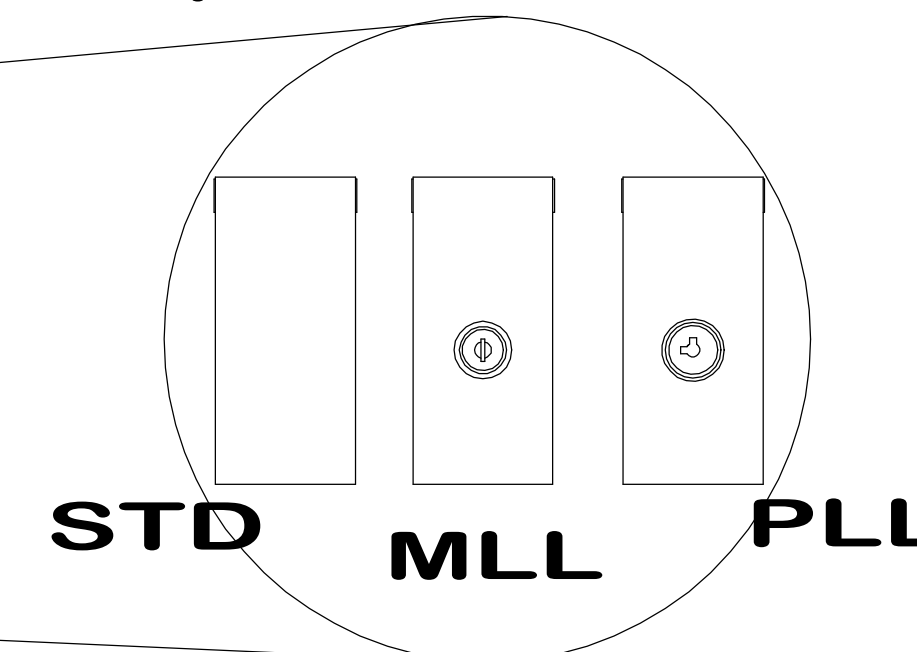
2.82  
to bottom of  
perimeter flange  
for optional panel



SECTION A-A



Options for latches



Note:  
Must be specified at  
time of order.

**Note:**  
Max. usable inside dimensions are:  
25.52" X 19.50" X 14.06" (13.08" to bottom step)  
dim. are approx. (curved enclosure)

04-07-04

ALL DIMENSIONS ±.010

619 Commercial Ave. Covina, CA 91723  
(626) 331-0517 Fax (626) 331-8584 <http://www.serpac.com>