

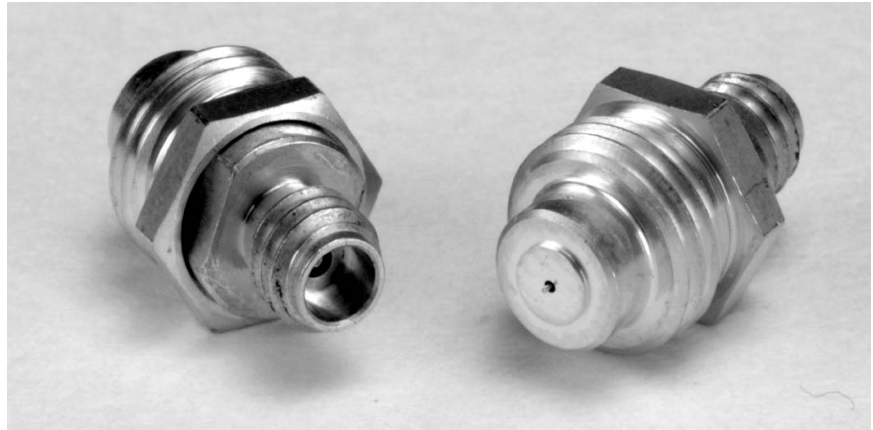
Agilent 11923A Connectors

Product Overview

Flexible micro-circuit packaging

The Agilent Technologies 11923A 1.0 mm female-connector launch threads into a package or fixture housing to transition a microwave circuit from microstrip to coaxial connector. The 11923A connector launch is intended for use with 8510XF and other test systems up to 110 GHz. The 11923A 1.0 mm female connector has an air dielectric interface and center conductor that is supported by a low-loss plastic bead on one end, and a glass-to-metal seal interface on the other end. This interface consists of a 0.162 mm diameter pin that extends inside the package or fixture for connection onto a microwave circuit.

The Agilent 11923A is preassembled and supplied with a machining detail for mounting the launch and assembly instructions (see Figure 1). The user is responsible for making the connection onto the circuit card, machining the package, and installing the connector. If a quasi-hermetic seal is desired, epoxy may be applied to threads of the launch prior to installation. The procedure describing the necessary dimensions for the package and installation is provided with the launch assembly.



A pair of 1.0 mm female connector launch assemblies.
Left: 1.0 mm female connector end
Right: Package end with 0.162 mm diameter pin

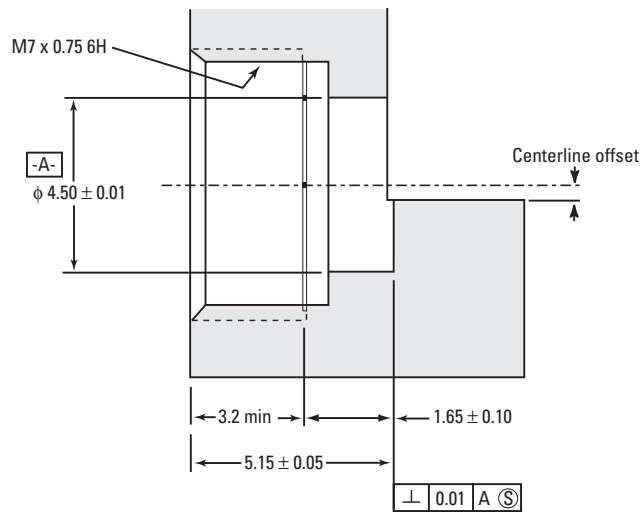


Figure 1. Section view of machining detail for mounting the launch



Specifications

Specifications describe the instrument's warranted performance over the temperature range 0° to 55° C (except where noted).

Supplemental characteristics are intended to provide information for applying the instrument by giving typical but nonwarranted performance parameters. These are noted as "typical," "nominal," or "approximate."

1.0 mm (f) connector launch

Model number	Coax connector type	Frequency (GHz)	Insertion loss better than:
11923A	(f) to circuit card launch	dc–110	–1.0 dB

Supplemental characteristics

Model number	Return loss better than:	Max CW power
11923A	–16 dB	6W

Environmental specifications

	Operating	Non-operating
Temperature	0° to 55° C	–40° to 75° C
Altitude	<15,000 meters (≈50,000 feet)	<15,000 meters (≈50,000 feet)

Note: The operating temperature is a critical factor in the performance during measurements and between calibrations. Storage or operation within an environment other than that specified above may cause damage to the product and void the warranty.

Non-operating environmental specifications apply to storage and shipment. Products should be stored in a clean, dry environment. Operating environmental specifications apply when the product is in use. Products should not be operated in a condensing environment.

RF & Microwave Test Accessories Web site: www.agilent.com/find/accessories

www.agilent.com

Agilent Technologies' Test and Measurement Support, Services, and Assistance

Agilent Technologies aims to maximize the value you receive, while minimizing your risk and problems. We strive to ensure that you get the test and measurement capabilities you paid for and obtain the support you need. Our extensive support resources and services can help you choose the right Agilent products for your applications and apply them successfully. Every instrument and system we sell has a global warranty. Two concepts underlie Agilent's overall support policy: "Our Promise" and "Your Advantage."

Our Promise

Our Promise means your Agilent test and measurement equipment will meet its advertised performance and functionality. When you are choosing new equipment, we will help you with product information, including realistic performance specifications and practical recommendations from experienced test engineers. When you receive your new Agilent equipment, we can help verify that it works properly and help with initial product operation.

Your Advantage

Your Advantage means that Agilent offers a wide range of additional expert test and measurement services, which you can purchase according to your unique technical and business needs. Solve problems efficiently and gain a competitive edge by contracting with us for calibration, extra-cost upgrades, out-of-warranty repairs, and onsite education and training, as well as design, system integration, project management, and other professional engineering services. Experienced Agilent engineers and technicians worldwide can help you maximize your productivity, optimize the return on investment of your Agilent instruments and systems, and obtain dependable measurement accuracy for the life of those products.

For more information on Agilent Technologies' products, applications or services, please contact your local Agilent office.

Phone or Fax

United States:
(tel) 800 829 4444
(fax) 800 829 4433
Canada:
(tel) 877 894 4414
(fax) 800 746 4866
China:
(tel) 800 810 0189
(fax) 800 820 2816
Europe:
(tel) 31 20 547 2111
Japan:
(tel) (81) 426 56 7832
(fax) (81) 426 56 7840

Korea:
(tel) (080) 769 0800
(fax) (080)769 0900

Latin America:
(tel) (305) 269 7500

Taiwan:
(tel) 0800 047 866
(fax) 0800 286 331

Other Asia Pacific Countries:

(tel) (65) 6375 8100
(fax) (65) 6755 0042
Email: tm_ap@agilent.com

Contacts revised: 05/27/05

**The complete list is available at:
www.agilent.com/find/contactus**

Product specifications and descriptions in this document subject to change without notice.

© Agilent Technologies, Inc. 1999, 2000, 2005

Printed in USA, September 8, 2005

5968-4315E



Agilent Technologies